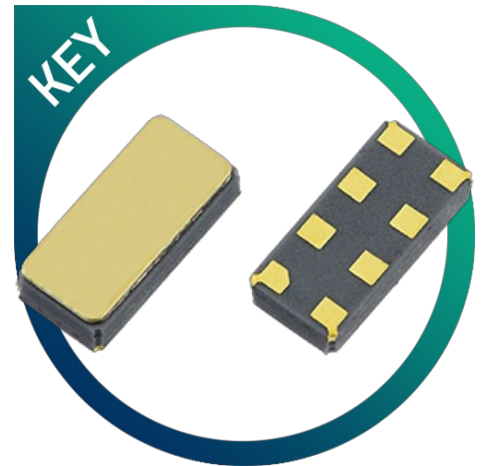


# RV-3032-C7

## RTC module I<sup>2</sup>C bus High Accuracy

- Ultra low power consumption 160nA @ 3V
- Excellent time accuracy ±3ppm -40 to +85°C
- Wide operating voltage range 1.2V to 5.5V
- Time stamping at high & low temperature
- Trickle Charger with charge pump

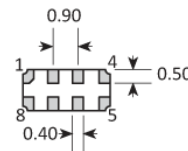
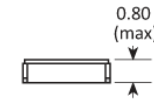
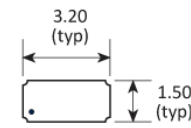
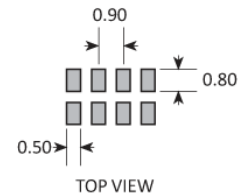


### CONFIGURABLE OPTIONS

Parameter	Option Code
Qualification	
Any	
Commercial	
AEC-Q200 (Automotive)	A

**SPECIFICATIONS**

Frequency	32.768kHz
Dimensions	3.2 x 1.5 x 0.8mm
Time accuracy	±1.5ppm max (0.13s/day), 0+50°C ±3ppm max (0.26s/day), -40+85°C
Operating temperature range	-40 to +85°C
Storage temperature range	-55 to +125°C
Supply voltage (V <sub>DD</sub> )	1.2 ~ 5.5V
Supply current (time-keeping, V <sub>DD</sub> =3.0V)	160nA typ / 210nA max
Ageing (25°C)	±3ppm max first year
Shock and vibration resistance	±5ppm, 5,000g, 0.3ms, ½ sine ±5ppm, 20g, 10.0 ~ 2,000Hz
Soldering condition	Reflow, 260°C, 20 sec max
Clock output frequencies (programmable)	32.768kHz, 1024Hz, 64Hz, 1Hz crystal mode 8192Hz ~ 52MHz HF clock mode

**PACKAGE DRAWING**

**SOLDER PAD LAYOUT**


PAD	CONNECTION	PAD	CONNECTION
1	Backup supply (VBKP)	5	Ground (VSS)
2	Serial data (SDA)	6	Supply voltage (VDD)
3	Interrupt output ( $\overline{\text{INT}}$ )	7	Frequency output (CLKOUT)
4	Event Input (EVI)	8	Serial clock input (SCL)

Dimensions in mm

---

## ORDERING INFORMATION

---

To request a quotation for the RV-3032-C7 please use the configurable options form to choose the options you require and then submit your configured product to our team. Our expert advisers are always happy to help with your requirements and can be contacted on +44 1460 256 100 or at [sales@golledge.com](mailto:sales@golledge.com).

Once we've received your request our expert team will then produce a quotation tailored to meet your needs using the option codes you've selected.

Following product selection you will be issued with a seven character Golledge part number. Your Golledge part number is the internationally accepted Golledge manufacturing part number (MPN) that should be used for all project documentation, including bills of materials (BoMs) and purchase orders.

If you have any queries regarding any of our documentation our dedicated sales team will be happy to help.

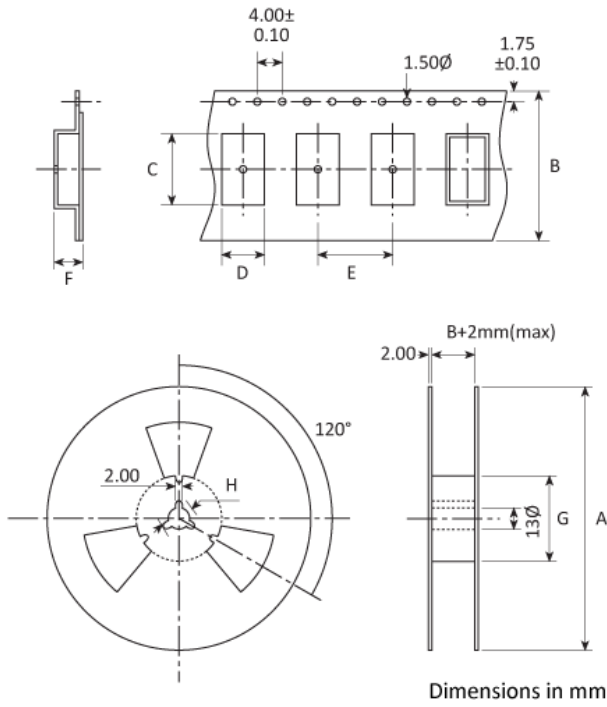
---

## TECHNICAL RESOURCES

---

[RV-3032-C7\\_App-Manual.pdf](#)

**TAPE & REEL SPECIFICATION**



A:178\* B:12 C:3.5 D:1.8 E:4.0 F:1.15 G:62 H:21

\*Larger reel sizes are available

**HANDLING & STORAGE**



Human Body Model (HBM) 1A (250V to <500V)



Moisture Sensitivity Level (MSL): 1 (or not applicable)

## CONSTRUCTION

SON 8-pin ceramic package

## MATERIAL COMPOSITION



Lead-free (< 0.1% by weight)



RoHS compliant with no exemptions. [See our declaration](#)



REACH compliant. [See our statement](#)



Free of conflict minerals. [See our declaration](#)



Free of Halogens. [See our declaration](#)



Free of Ozone-depleting substances. [See our declaration](#)



Nominal Net Mass: 11.4mg

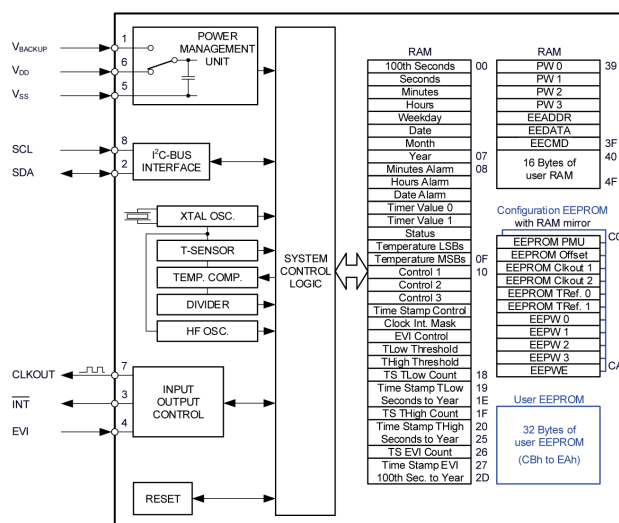
## SUPPLY PARTNER

The RV-3032-C7 is manufactured by Micro Crystal and stocked and supplied by Golledge.

## OTHER INFORMATION

An evaluation/development board for the RV-3032-C7 is also available on request. Please contact our expert advisers at [sales@golledge.com](mailto:sales@golledge.com) for more information.

## BLOCK DIAGRAM



## OTHER INFORMATION

### About Golledge

We are the UK's leading supplier of frequency control products and are proud to serve the global electronics industry. Our philosophy is a focus firmly on your requirements by striving to meet and exceed your needs. We do this by ensuring the utmost quality and consistency in our products and services. If you have any queries about the Golledge service or any of our products please get in touch, we'd love to hear from you.

### Come and visit

Eaglewood Park, ILMINSTER,  
Somerset, TA19 9DQ, England

### Give us a call

Tel: +44 1460 256 100  
Fax: +44 1460 256 101

### Email us

sales@golledge.com

### Our Worldwide Distributors

#### Belgium & Luxembourg

Alcom Electronics NV/SA



Email info@alcom.be  
Web www.alcom.be  
Tel +32 (0)3 458.30.33

#### China, Hong Kong - 中国 / 香港

Meiya China



Email sales@meiyatech.com  
Web www.meiyatech.com  
Tel +86 755 2823 1923

#### France

Equipments Scientifique



Email comp@es-france.com  
Web www.es-france.com  
Tel +33 1 47 95 99 89

#### Germany

MEV Elektronik Service GmbH



Email info@mev-elektronik.com  
Web www.mev-elektronik.com  
Tel +49 54 24 23 40-0

#### India

V5 Semiconductors



Email sales@v5semiconductors.com  
Web v5semiconductors.com  
Tel +91-80-2661 0621

#### Israel

Phoenix Technologies Ltd



Email sales@phnx.co.il  
Web www.phnx.co.il  
Tel +972 9 764 4800

#### Netherlands

Alcom Electronics BV



Email info@alcom.nl  
Web alcom.nl  
Tel +31 (0)10 288.25.00

#### Norway & Sweden

Link Nordic



Email thomas.olaussen@linknordic.com  
Web linknordic.com  
Tel +47 92 23 37 54

#### Russia - Россия

EFO Ltd



Email elena@efo.ru  
Web www.golledge.ru  
Tel +7(812)327-8654

#### Spain & Portugal

R.C. Microelectronica, S.A.



Email ventas@rcmicro.es  
Web www.rcmicro.es  
Tel +34 93 260 21 66

Our customer feedback is testament to our quality; "Never had such good service as this from anyone in 35 years of being in the industry, this is impressive and has really helped us out of a corner to keep the design flowing" Andy (Senior Design Engineer), "As always your support is state of the art" Nicoleta (Material Management), "Legendary work - as usual it has to be said" John (Operations).  
To take advantage of our highly praised service get in touch with us today.