

SAW Filter 1582.4MHz
Part No: MP11467

Model: TA2281A
Rev No: 1

Electrostatic Sensitive Device (ESD)

A. MAXIMUM RATING:

1. Input Power Level: 15 dBm
2. DC Voltage: 0 V
3. Operating temperature range: -40 °C to +125 °C
4. Storage temperature range: -40 °C to +125 °C
5. Moisture Sensitivity Level: Level 3 (MSL 3)

B. ELECTRICAL CHARACTERISTICS:

Terminating source impedance: $Z_s = 50 \Omega$ (Single-ended)

Terminating load impedance: $Z_L = 50 \Omega$ (Single-ended)

Item	Unit	min	Type.	max
Center Frequency F_c	MHz	-	1582.4	-
Insertion Loss (1559.05~1563.15 MHz) IL	dB		1.8	2.0
Insertion Loss (1573.37~1577.47 MHz) IL	dB		1.2	1.5
Insertion Loss (1597.78~1605.66 MHz) IL	dB		1.6	2.2
VSWR (1559.05~1563.15 MHz)			1.6	2.1
VSWR (1573.37~1577.47 MHz)			1.3	2.1
VSWR (1597.78~1605.66 MHz)			1.6	2.1
Variation of group delay (1597.78~1605.66 MHz)	ns		4	14 ¹⁾
Attenuation				
50 ~ 824 MHz	dB	40	43	
824 ~ 925 MHz	dB	39	43	
1427 ~ 1453 MHz	dB	43	48	
1710 ~ 1785 MHz	dB	32	42	
1850 ~ 1910 MHz	dB	35	40	
1920 ~ 1980 MHz	dB	36	41	
2400 ~ 2500 MHz	dB	43	47	
2500 ~ 2570 MHz	dB	38	46	
2600 ~ 3000 MHz	dB	34	41	
Package size	mm	1411		

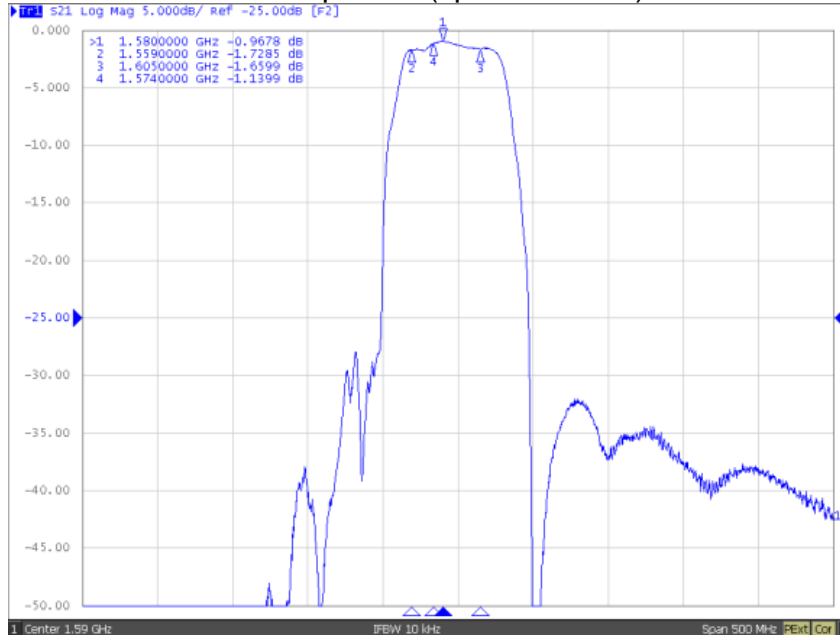
1) Averaged over 2 MHz

SAW Filter 1582.4MHz
Part No: MP11467

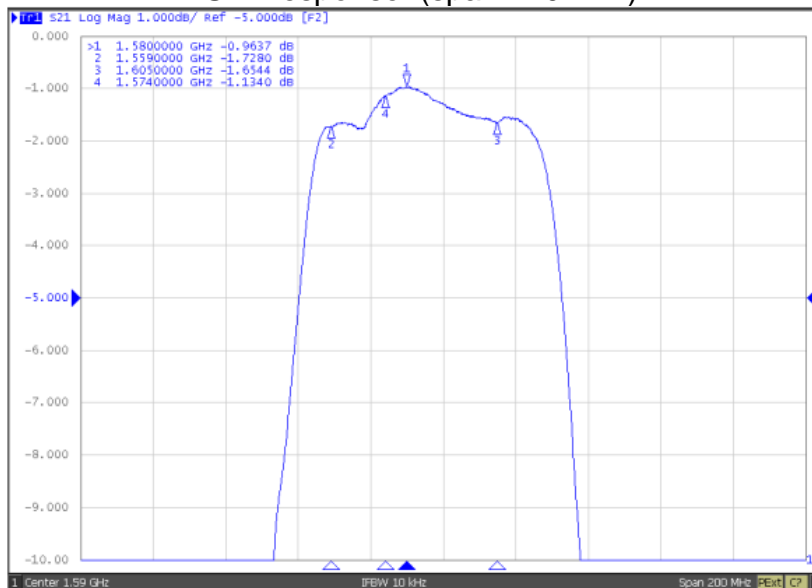
Model: TA2281A
Rev No: 1

C.FREQUENCY CHARACTERISTICS:

S21 response: (span 500MHz)



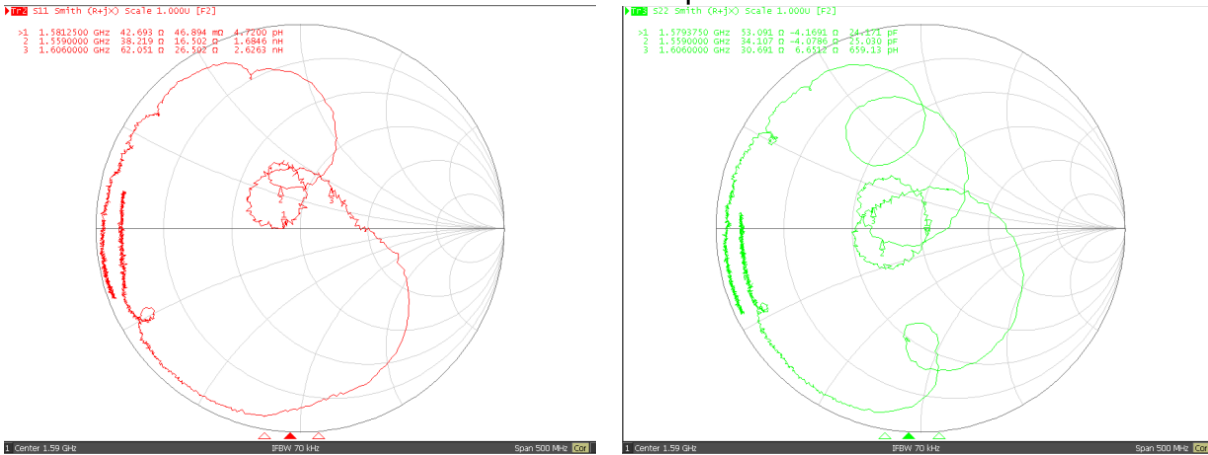
S21 response: (span 120MHz)



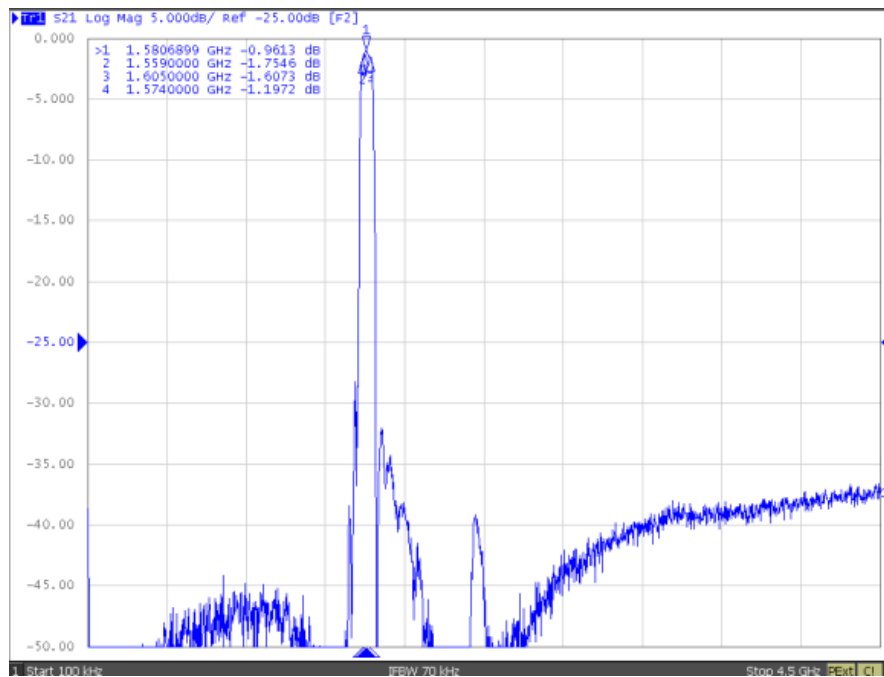
SAW Filter 1582.4MHz
Part No: MP11467

Model: TA2281A
Rev No: 1

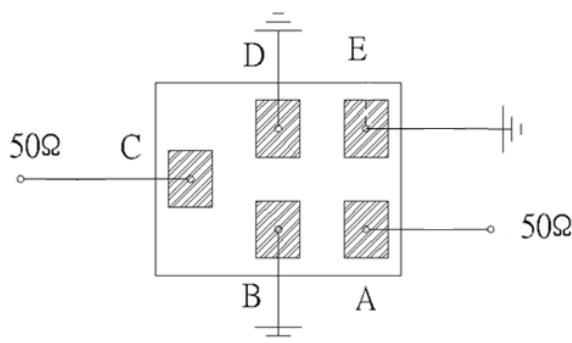
S11/S22 response:



S21 response: (span 3GHz)



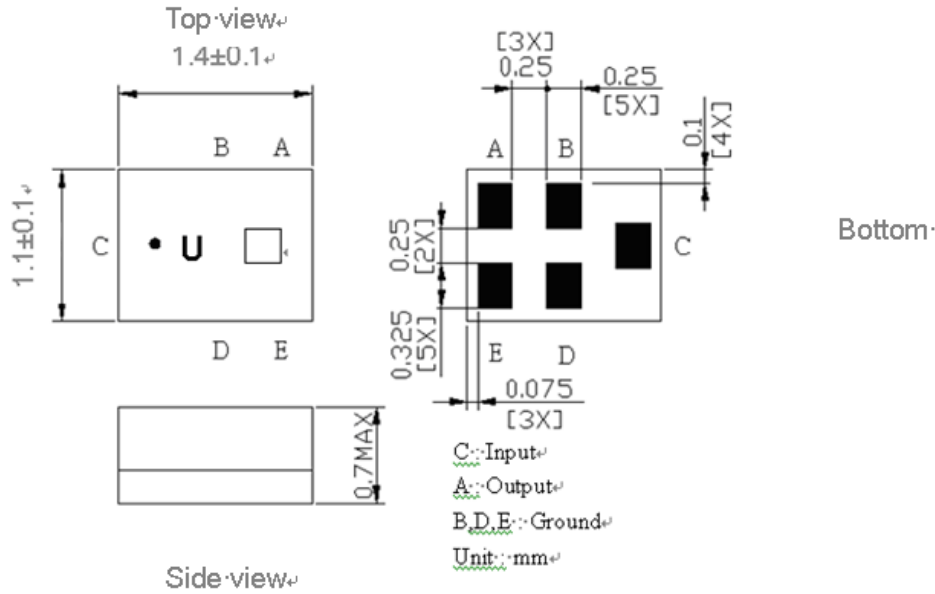
D. MEASUREMENT CIRCUIT:



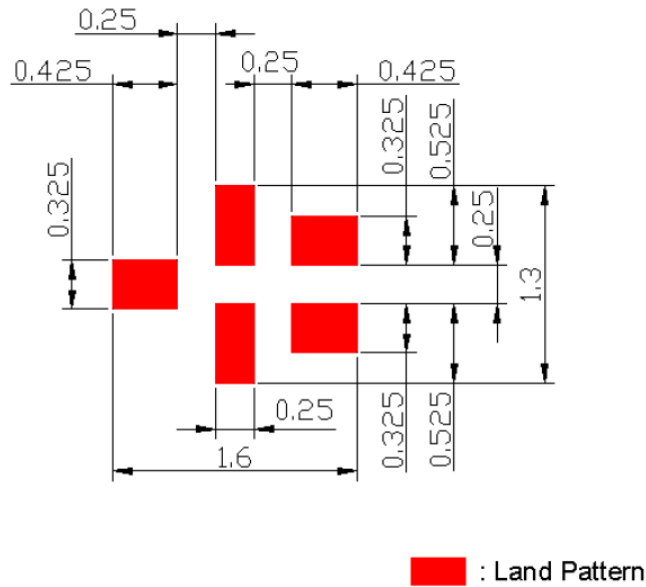
SAW Filter 1582.4MHz
Part No: MP11467

Model: TA2281A
Rev No: 1

E. OUTLINE DRAWING:



F. PCB FOOTPRINT:

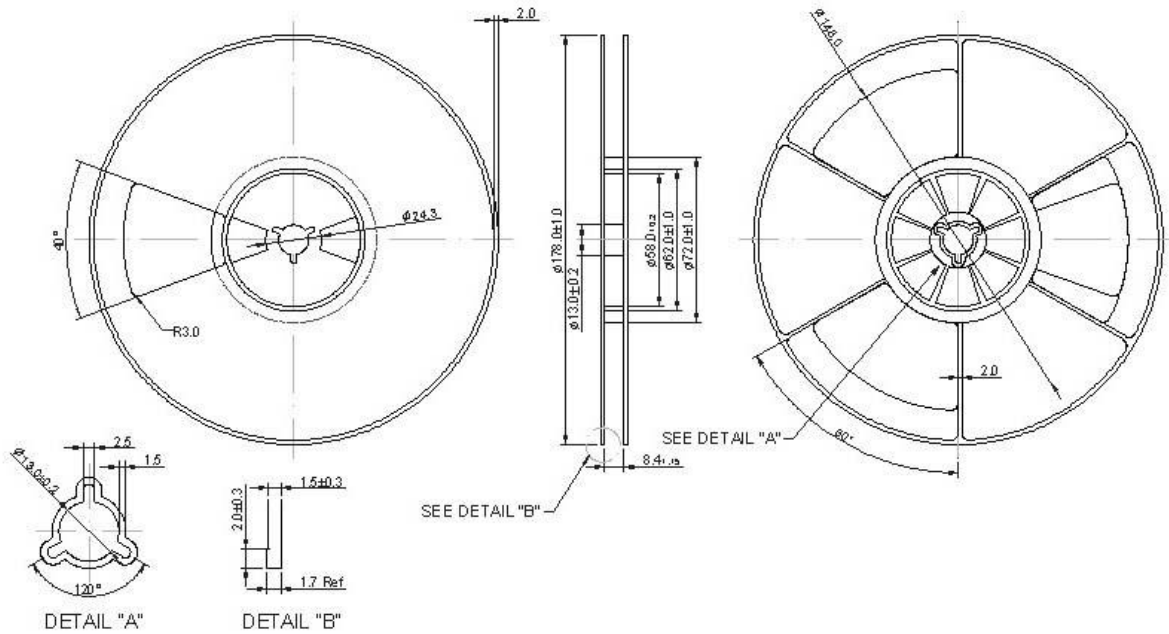


SAW Filter 1582.4MHz
Part No: MP11467

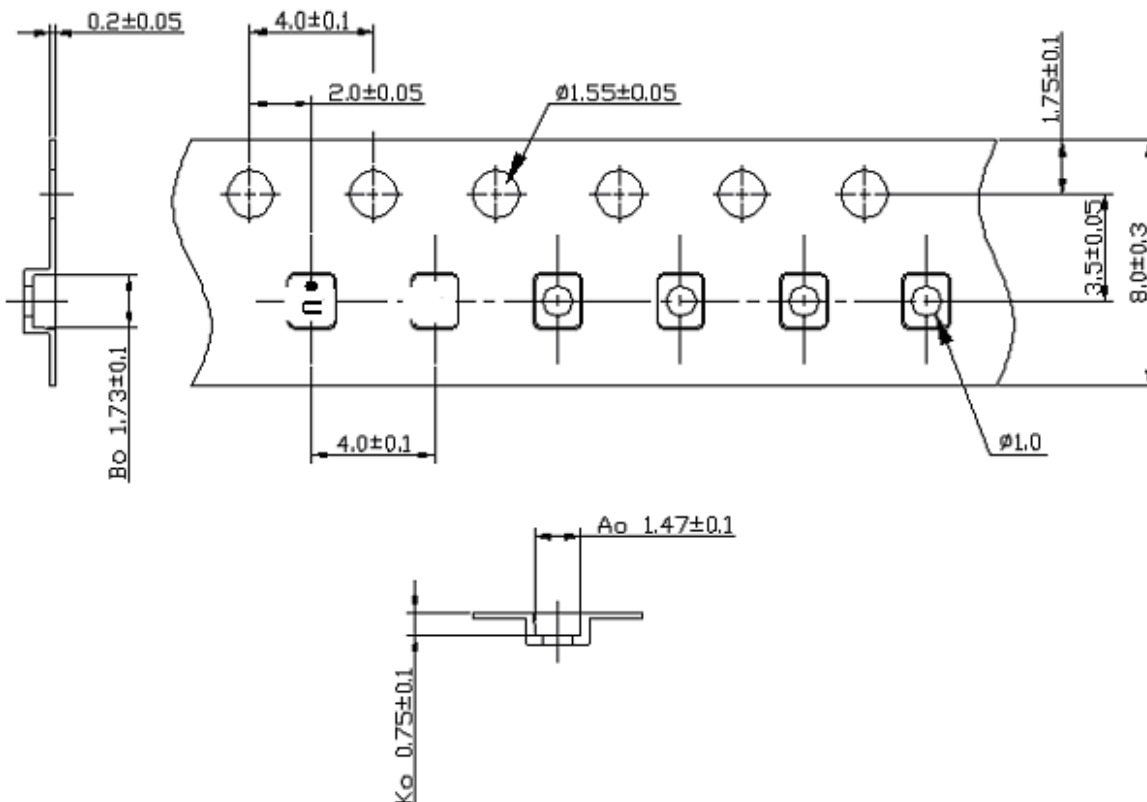
Model: TA2281A
Rev No: 1

G. PACKING:

1. Reel dimension



2. Tape dimension

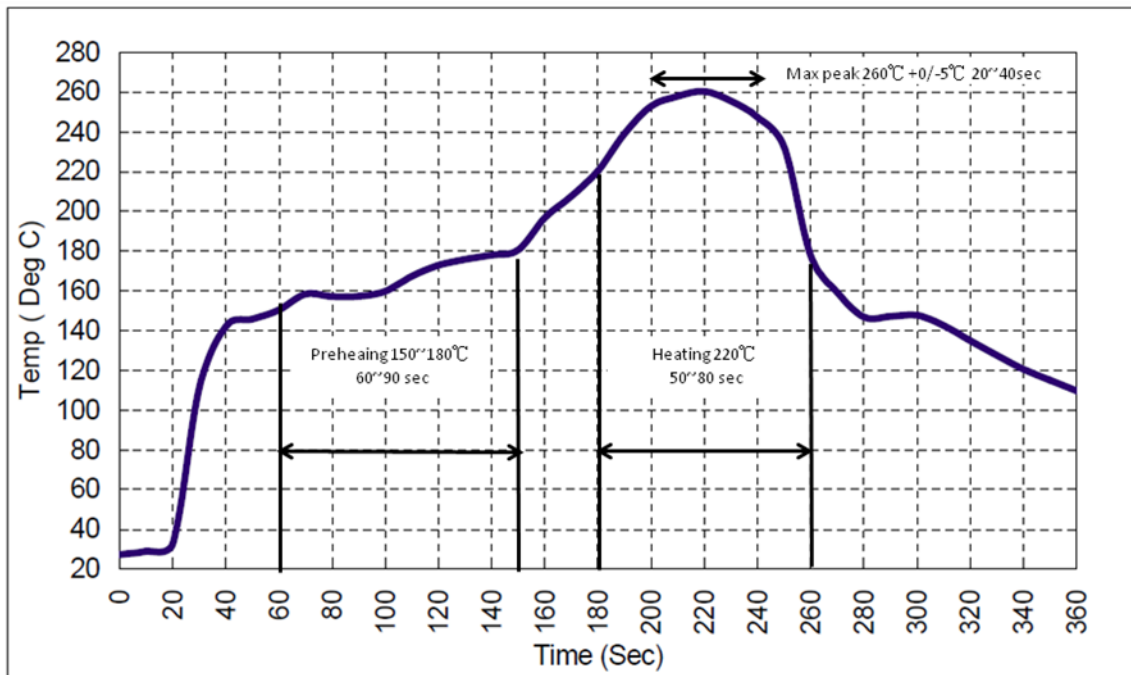


SAW Filter 1582.4MHz
Part No: MP11467

Model: TA2281A
Rev No: 1

H. Recommended Reflow Profile:

1. Preheating shall be fixed at 150~180°C for 60~90 seconds.
2. Ascending time to preheating temperature 150°C shall be 30 seconds min.
3. Heating shall be fixed at 220°C for 50~80 seconds and at 260°C+0/-5°C peak (20~40sec).
4. Time: 2 times.



Tel: +44 1460 256 100
Fax: +44 1460 256 101
www.golledge.com



Golledge Electronics Ltd
Eaglewood Park, ILMINSTER
Somerset, TA19 9DQ, UK

SAW Filter 1582.4MHz
Part No: MP11467

Model: TA2281A
Rev No: 1
