

SAW Filter 1583.0MHz

Model: TA1785A

Part No: MP06863 (AEC-Q200 compliant)

Rev No: 2

A. MAXIMUM RATING:

Electrostatic Sensitive Device (ESD)

1. Input Power Level: 15dBm
2. DC Voltage: 0V
3. Operating Temperature: -40°C to +105°C
4. Storage Temperature: -40°C to +105°C
5. Moisture Sensitivity Level: Level 1 (MSL1)

B. ELECTRICAL CHARACTERISTICS:

1. Terminating source impedance (single) : $Z_S = 50\Omega$
2. Terminating load impedance (single): $Z_L = 50\Omega$

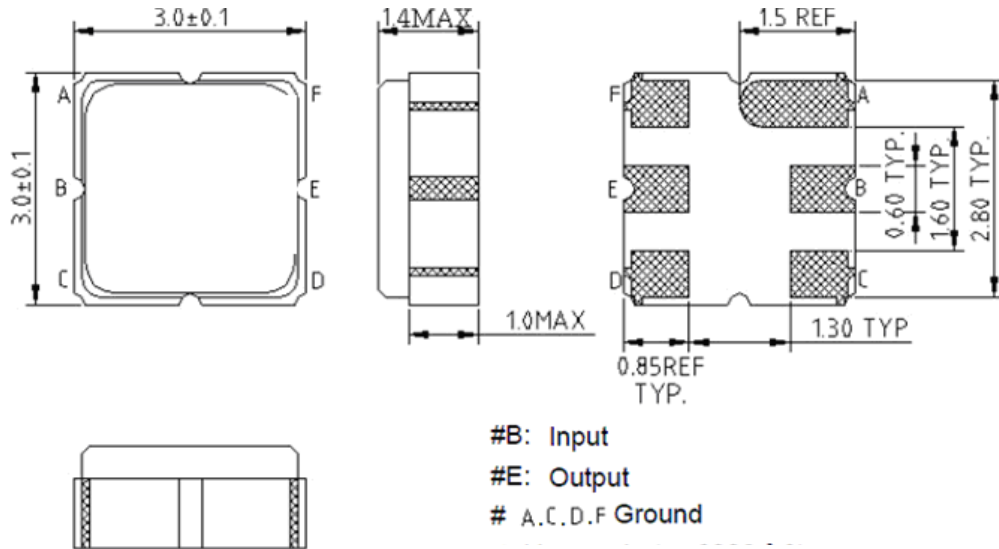
Item	Unit	Min	Typ.	Max	Note
Center Frequency Fc	MHz	-	1583		
Insertion Loss (1559.1~1563.1MHz) IL	dB		1.9	2.1	
Insertion Loss (1573.42~1577.42MHz) IL	dB		1.5	2.0	
Insertion Loss (1597.55~1605.89MHz) IL	dB		1.8	2.5	
VSWR (1559.1~1563.1MHz)			1.5	2.0	
VSWR (1573.42~1577.42MHz)			1.7	2.5	
VSWR (1597.55~1605.89MHz)			1.7	2.2	
Amplitude ripple					
1559.1~1563.1MHz	dB		0.6	1.0	
1573.42~1577.42MHz	dB		0.3	0.9	
1597.55~1605.89MHz	dB		0.5	1.2	
Attenuation					
100 ~ 824MHz	dB	40	46		
824 ~ 925MHz	dB	40	46		
925 ~ 960MHz	dB	40	46		
1427 ~ 1463MHz	dB	36	39		
1525 ~ 1530MHz	dB	9	20		
1638 ~ 1642MHz	dB	20	45		
1710 ~ 1785MHz	dB	36	40		
1850 ~ 1980MHz	dB	36	40		
2400 ~ 2570MHz	dB	31	35		
2570 ~ 2690MHz	dB	28	30		
2690 ~ 3000MHz	dB	28	30		
Package size	mm	SMD3030			

*The PCB lose for demo-B is -0.2dB

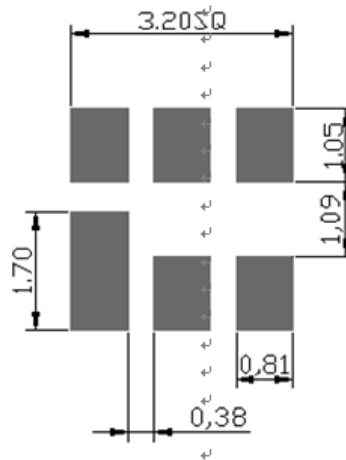
SAW Filter 1583.0MHz
Part No: MP06863 (AEC-Q200 compliant)

Model: TA1785A
Rev No: 2

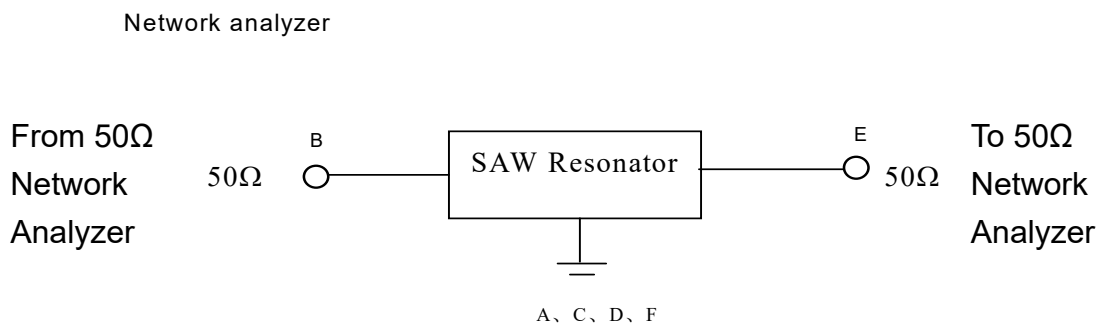
C. OUTLINE DRAWING:



D. PCB FOOT PRINT:



E. TEST CIRCUIT:

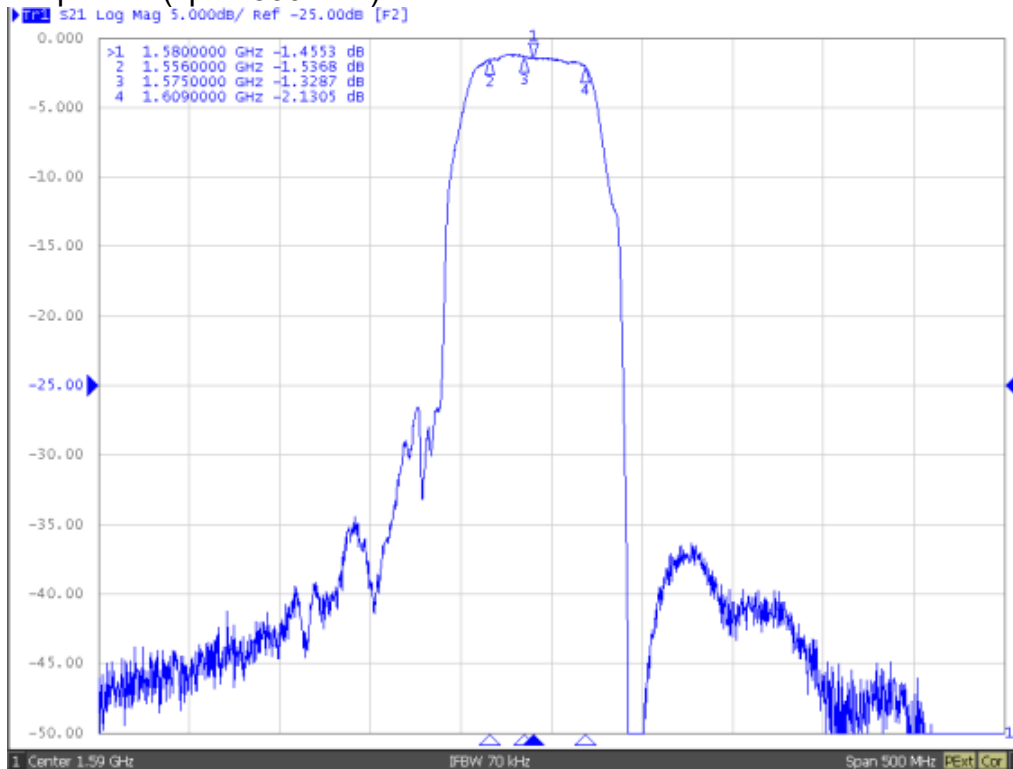


SAW Filter 1583.0MHz
Part No: MP06863 (AEC-Q200 compliant)

Model: TA1785A
Rev No: 2

F. FREQUENCY CHARACTERISTICS:

1. S21 response: (span 500MHz)



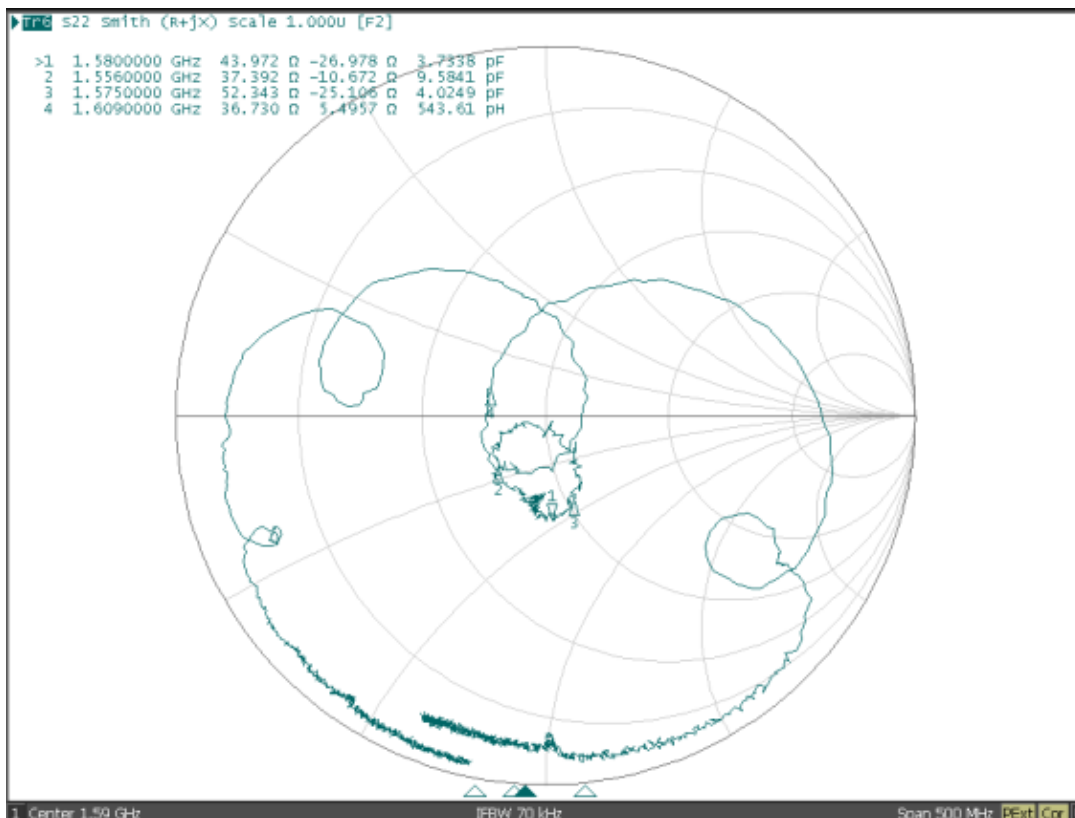
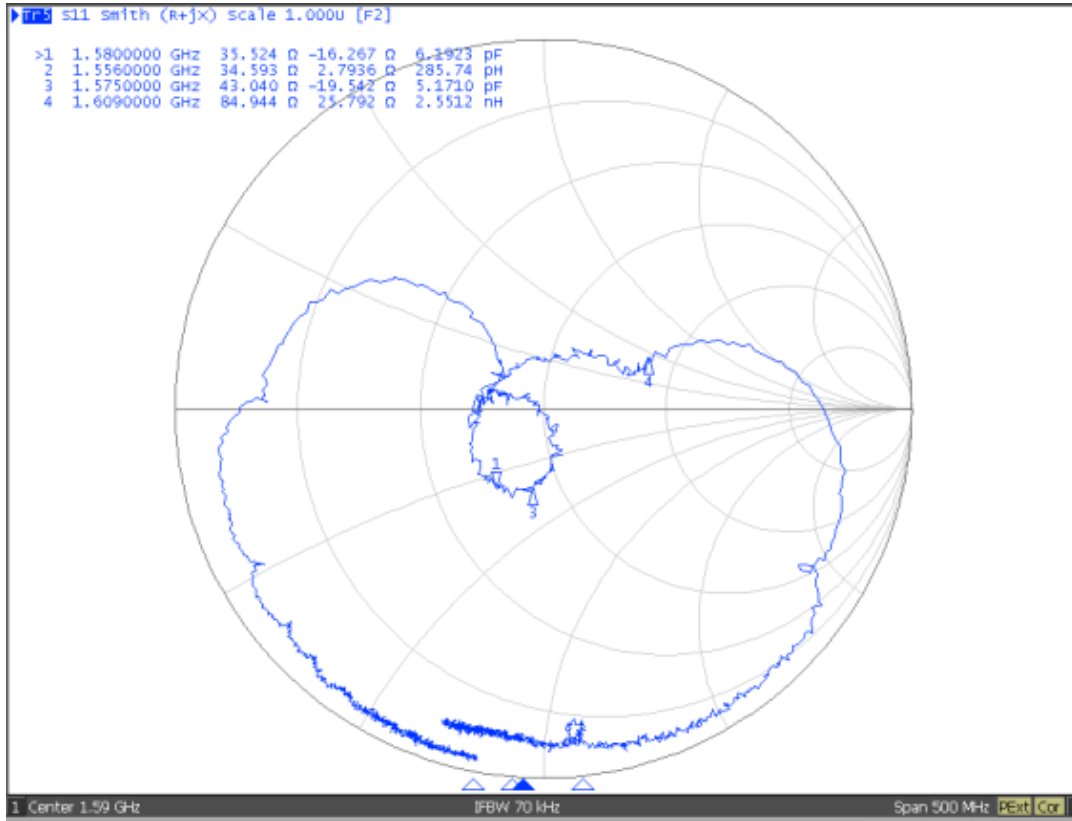
2. S21 response: (span 100MHz)



SAW Filter 1583.0MHz
Part No: MP06863 (AEC-Q200 compliant)

Model: TA1785A
Rev No: 2

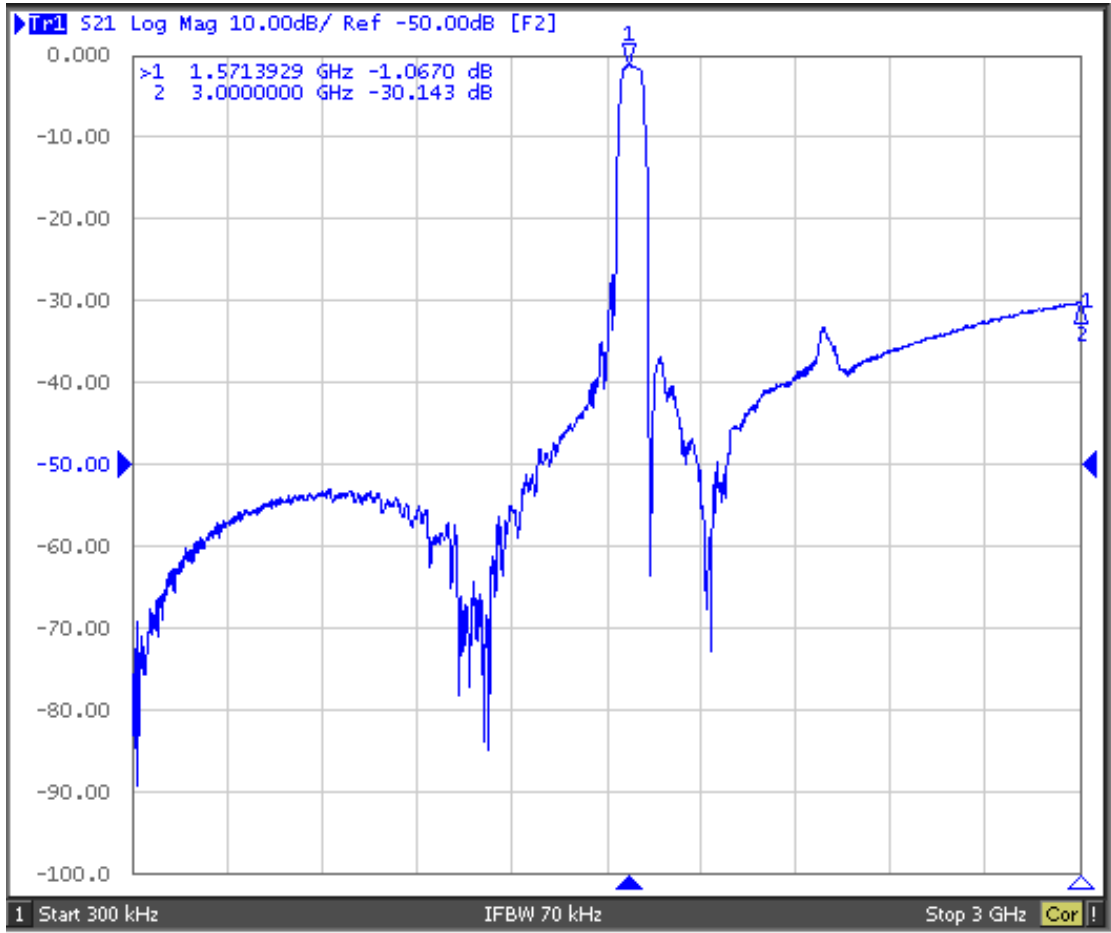
3. S11/S22 response:



SAW Filter 1583.0MHz
Part No: MP06863 (AEC-Q200 compliant)

Model: TA1785A
Rev No: 2

4. S21 response: (span 3GHz)

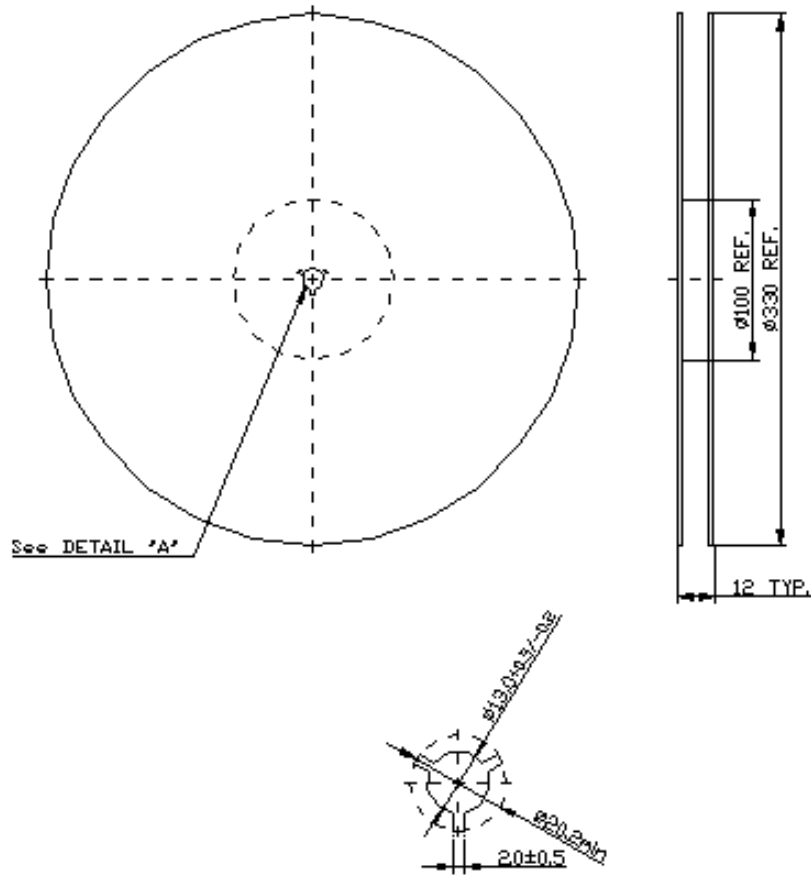


SAW Filter 1583.0MHz
Part No: MP06863 (AEC-Q200 compliant)

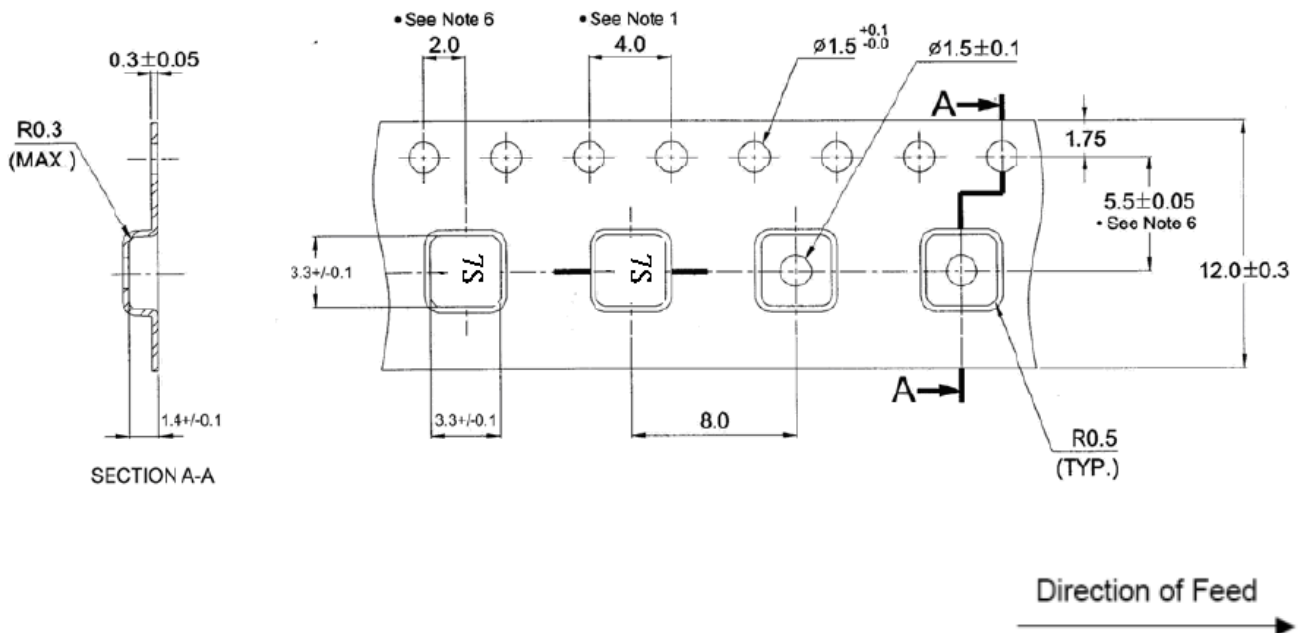
Model: TA1785A
Rev No: 2

G. PACKING:

1. Reel Dimensions



2. Tape Dimensions



SAW Filter 1583.0MHz
Part No: MP06863 (AEC-Q200 compliant)

Model: TA1785A
Rev No: 2

H. RECOMMENDED REFLOW PROFILE:

1. Preheating shall be fixed at 150~180°C for 60~90 seconds.
2. Ascending time to preheating temperature 150°C shall be 30 seconds min.
3. Heating shall be fixed at 220°C for 50~80 seconds and at 260°C +0/-5°C peak (20~40 sec).
4. Time: 2 times.

