

BAW Filter 2442.0MHz
Part No: MP10311

Model: TA2621A
Rev No: 1

A. MAXIMUM RATING:

Electrostatic Sensitive Device (ESD)

1. Input Power Level: 28dBm (Ta = +50°C, 10kh.CW)
2. DC Voltage: 0V
3. Operating Temperature: -30°C to +85°C
4. Storage Temperature: -40°C to +100°C
5. Moisture Sensitivity Level: Level 1
- 6 .ESD 50V (MM), 100V (HBM)

B. ELECTRICAL CHARACTERISTICS

1. Terminating source impedance: $Z_S = 50 \parallel 8.2nH \Omega$ (Single-ended)
2. Terminating load impedance: $Z_L = 50 \parallel 8.2nH \Omega$ (Single-ended)

Item		Unit	Min.	Typ.	Max.	Note
Center Frequency Fc		MHz	-	2442		
Insertion Loss(*1)(*2)	(2402.5 ~ 2421.5MHz) IL	dB	-	1.2	1.8	CH1
	(2407.5 ~ 2426.5MHz) IL	dB	-	1.1	1.6	CH2
	(2412.5 ~ 2471.5MHz) IL	dB	-	0.9	1.4	CH3 to 11
	(2457.5 ~ 2476.5MHz) IL	dB	-	0.9	1.6	CH12
	(2462.5 ~ 2481.5MHz) IL	dB	-	1.0	1.8	CH13
	(2402.5 ~ 2481.5MHz) IL	dB	-	1.2	1.6	+25°C
Amplitude Ripple (2402.5 ~ 2481.5MHz)		dB	-	1.0	3.5	Any 19MHz
VSWR(Input) (2402.5 ~ 2481.5MHz)				1.6	2.0	
VSWR(Output) (2402.5 ~ 2481.5MHz)				1.6	2.0	
Attenuation (reference level from 0dB)						
699 ~ 960MHz		dB	45	48	-	-
1425 ~ 2170MHz		dB	35	39	-	
2300 ~ 2365MHz		dB	45	49	-	
2365 ~ 2370MHz		dB	43	52	-	
2370 ~ 2380MHz		dB	21	46	-	
2496 ~ 2500MHz		dB	11	48	-	-30 to -20°C
		dB	13	48	-	-20 to +85°C

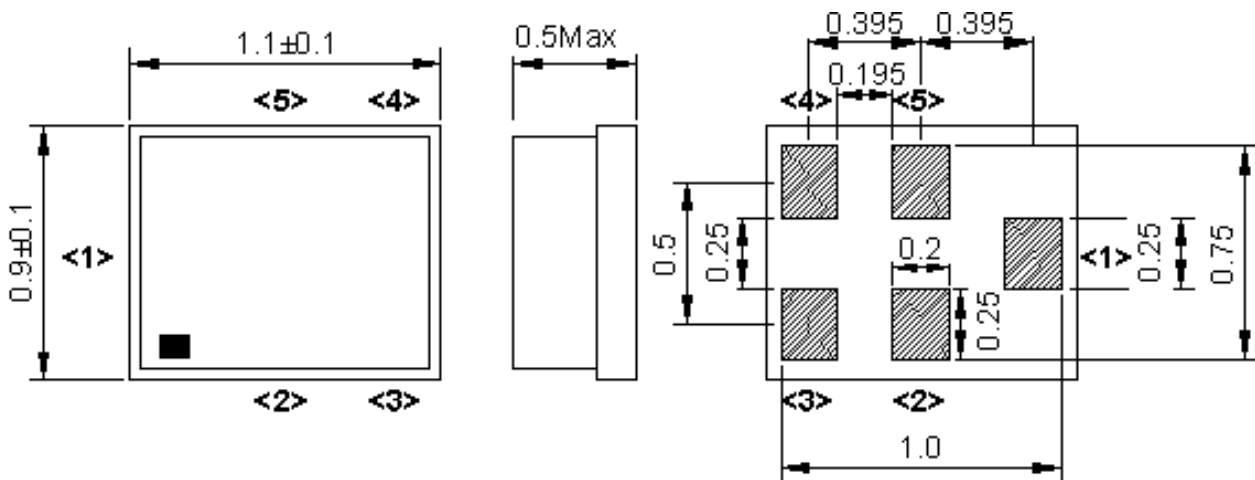
BAW Filter 2442.0MHz
Part No: MP10311

Model: TA2621A
Rev No: 1

2500 ~ 2505MHz	dB	31	61	-	-30 to -20°C
	dB	35	61	-	-20 to -10°C
	dB	40	61	-	-10 to +85°C
2505 ~ 2570MHz	dB	45	52	-	
2505 ~ 2690MHz	dB	40	45	-	
4900 ~ 5805MHz	dB	35	48	-	
7200 ~ 7500MHz	dB	30	44	-	

- (*1): Specification of insertion loss excludes loss that comes from the test board.
- (*2): Integrated Insertion Loss over 19MHz CH BW.
- (*3): Integrated attenuation over 5MHz CH BW.
- (*4): DC resistance at all ports might be less than 100MΩ at operating temperatures.

C. OUTLINE DRAWING:



Not Specified Tolerance: ± 0.1 mm
 Unit: mm

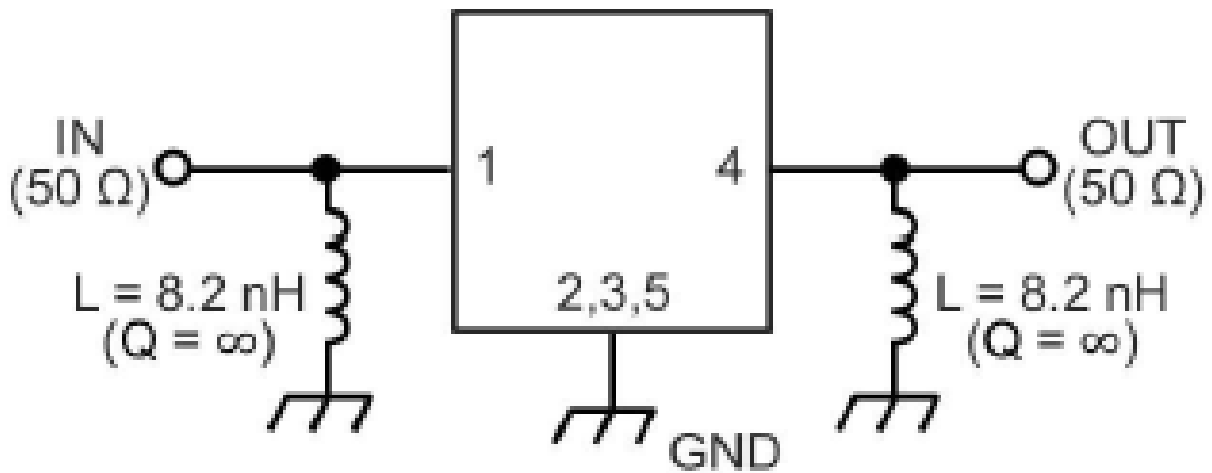
Pin Configuration

Pin No.	Symbol	Function
1	IN	Input
2	GND	Ground
3	GND	Ground
4	OUT	Output
5	GND	Ground

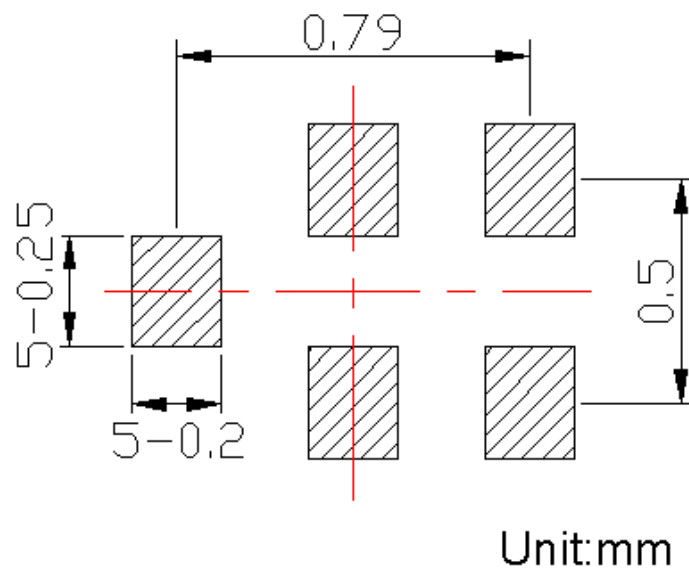
BAW Filter 2442.0MHz
Part No: MP10311

Model: TA2621A
Rev No: 1

D. MEASUREMENT CIRCUIT:



E. PCB FOOTPRINT:

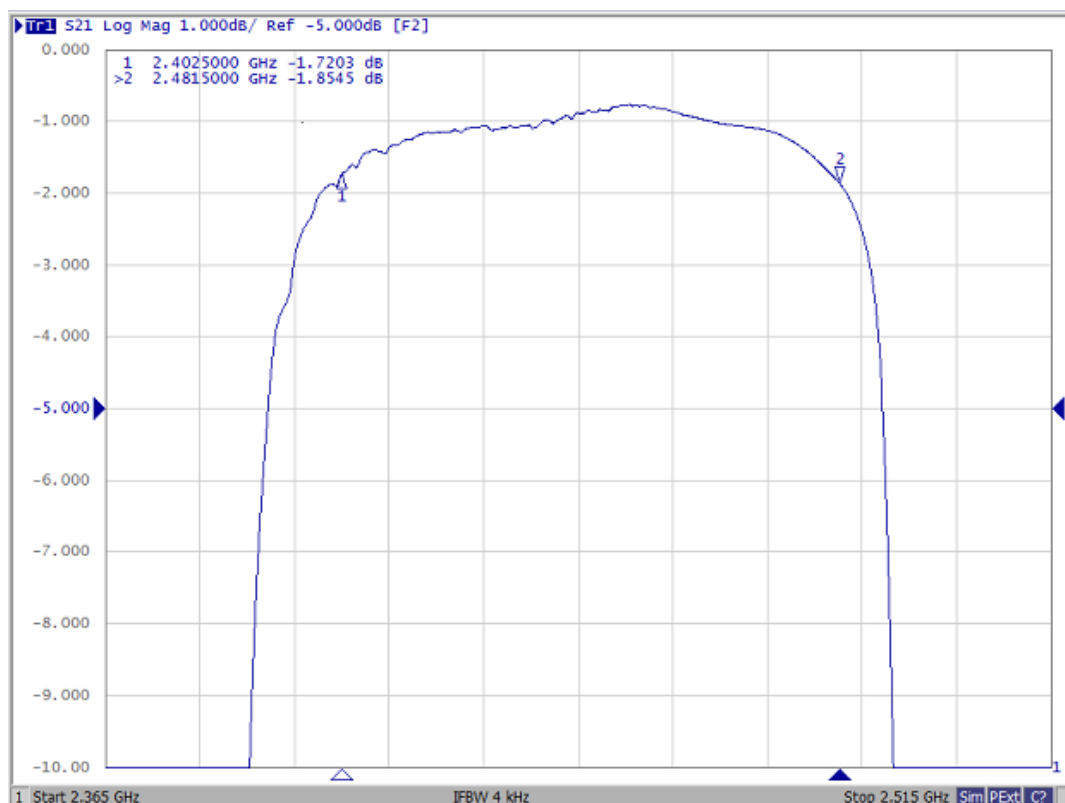
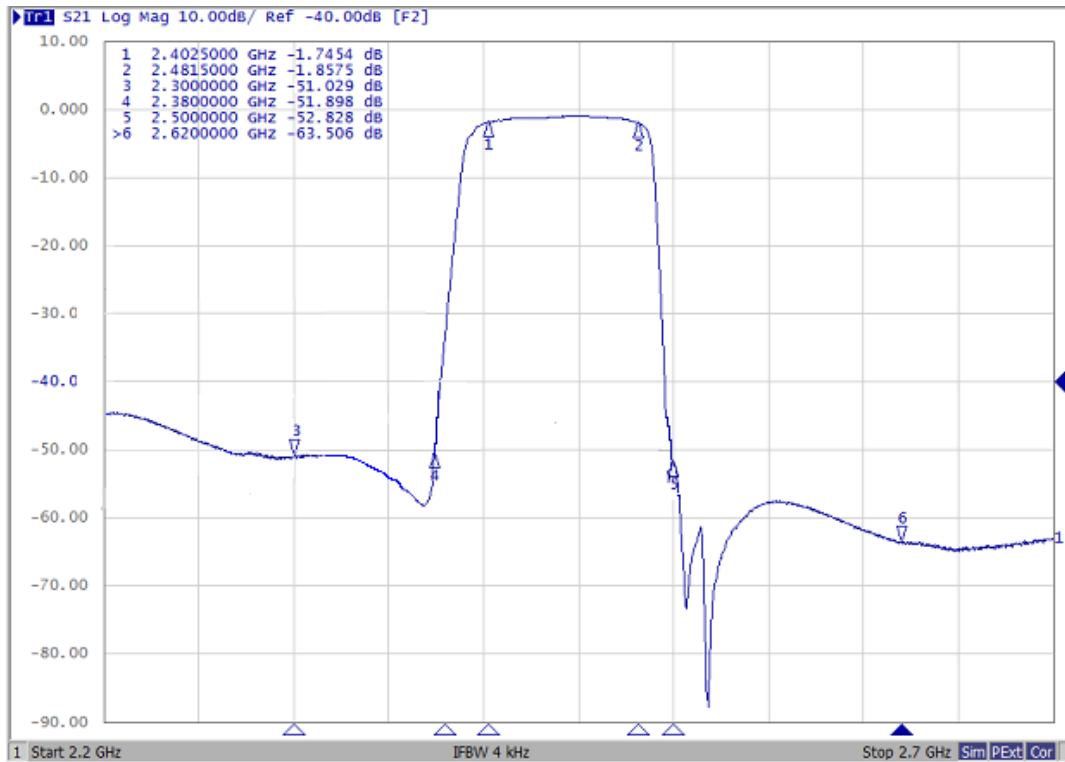


BAW Filter 2442.0MHz
Part No: MP10311

Model: TA2621A
Rev No: 1

F. FREQUENCY CHARACTERISTICS:

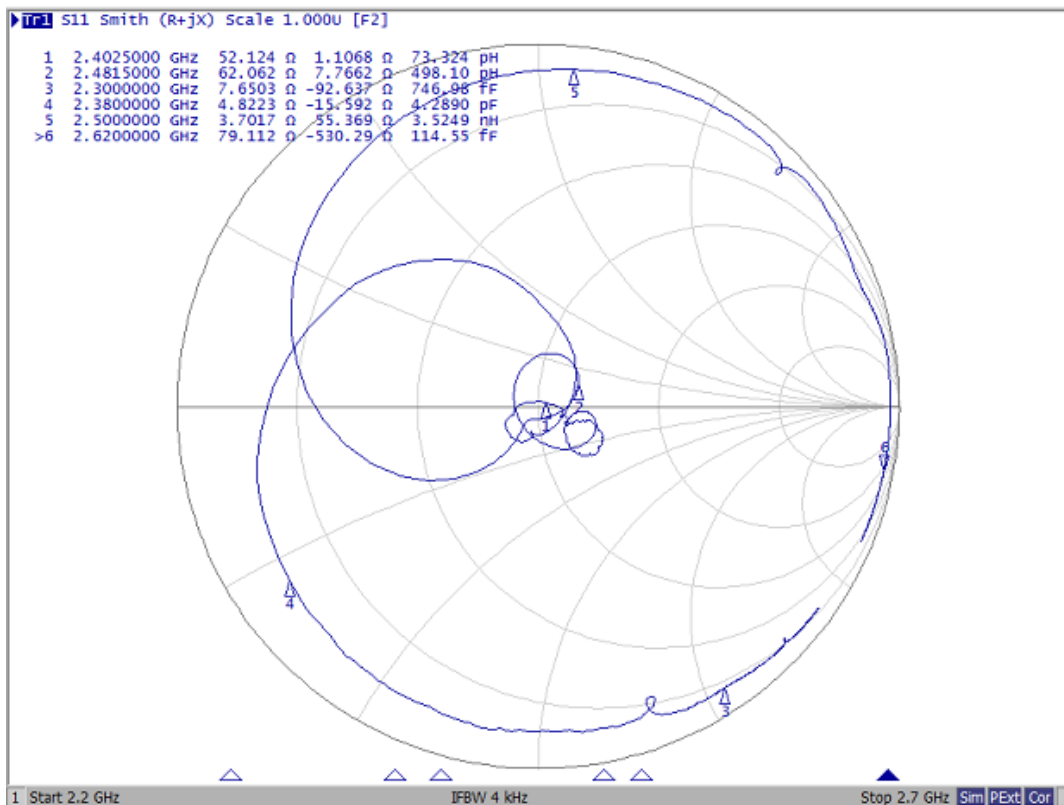
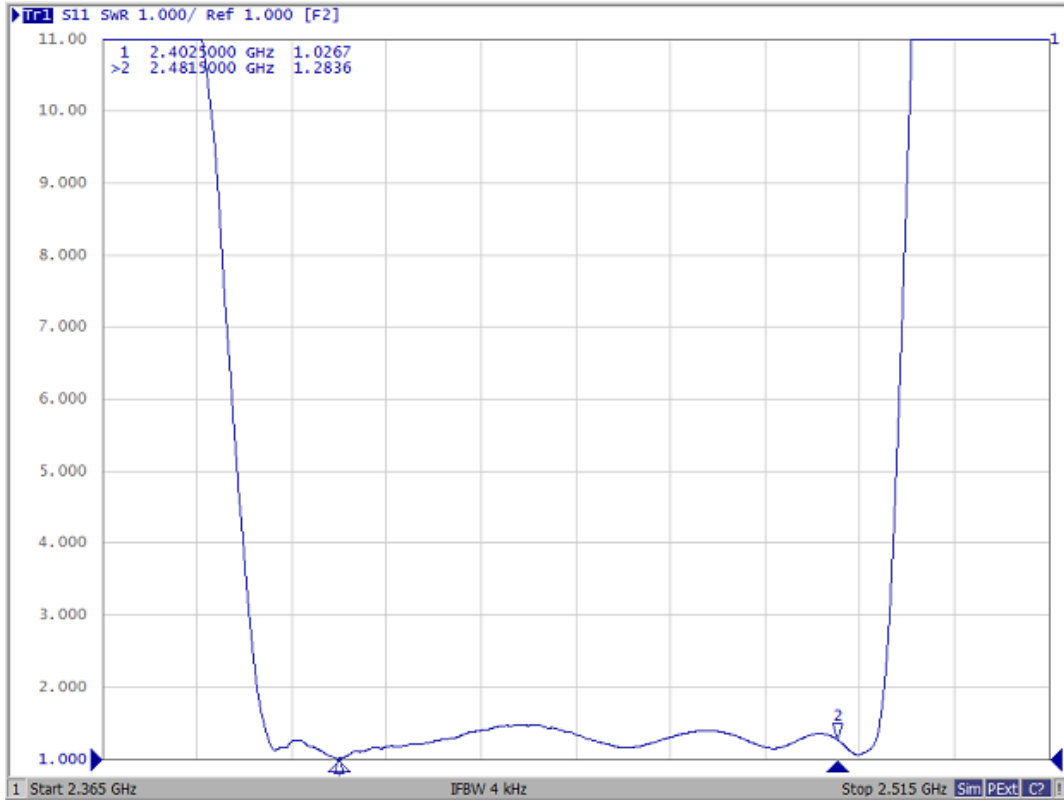
1. Passband



BAW Filter 2442.0MHz
Part No: MP10311

Model: TA2621A
Rev No: 1

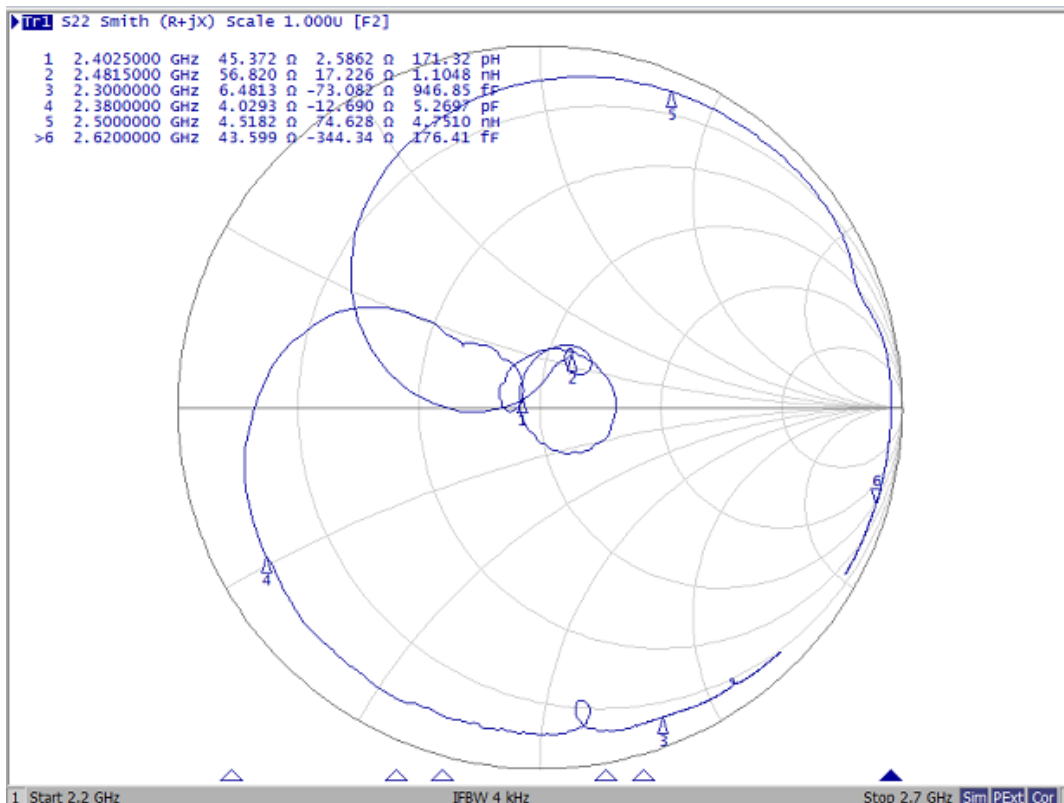
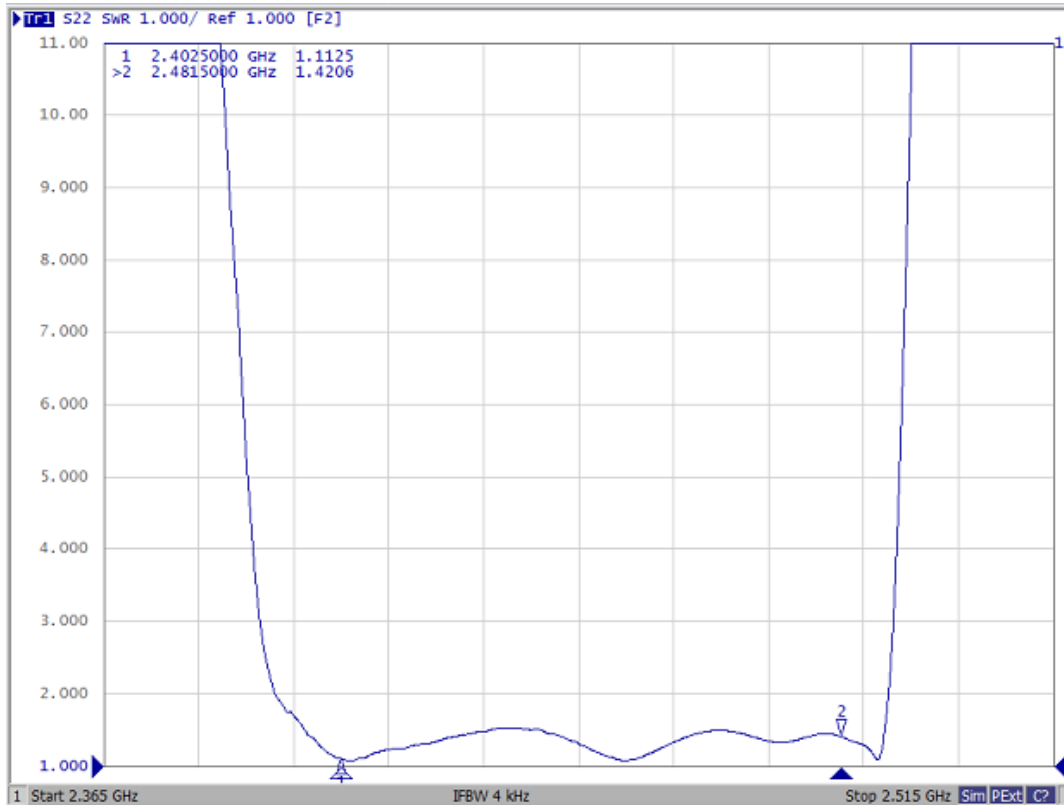
2. Ant Port



BAW Filter 2442.0MHz
Part No: MP10311

Model: TA2621A
Rev No: 1

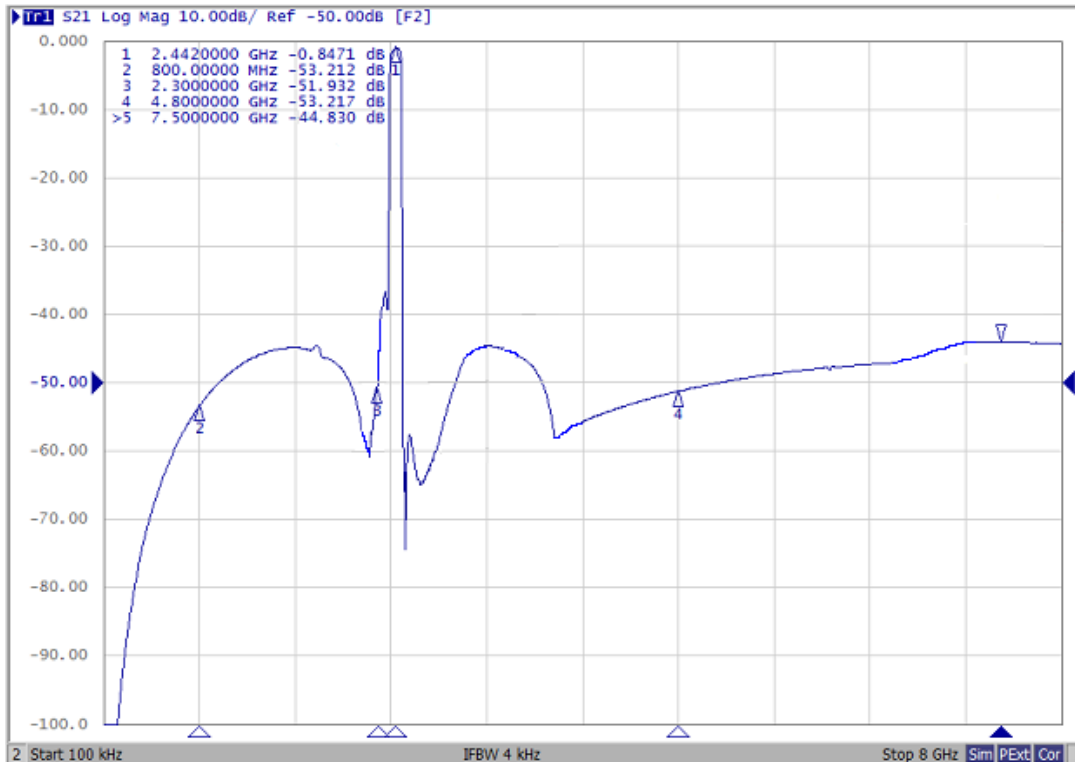
3. Tx/Rx Port



BAW Filter 2442.0MHz
Part No: MP10311

Model: TA2621A
Rev No: 1

4. Wide span

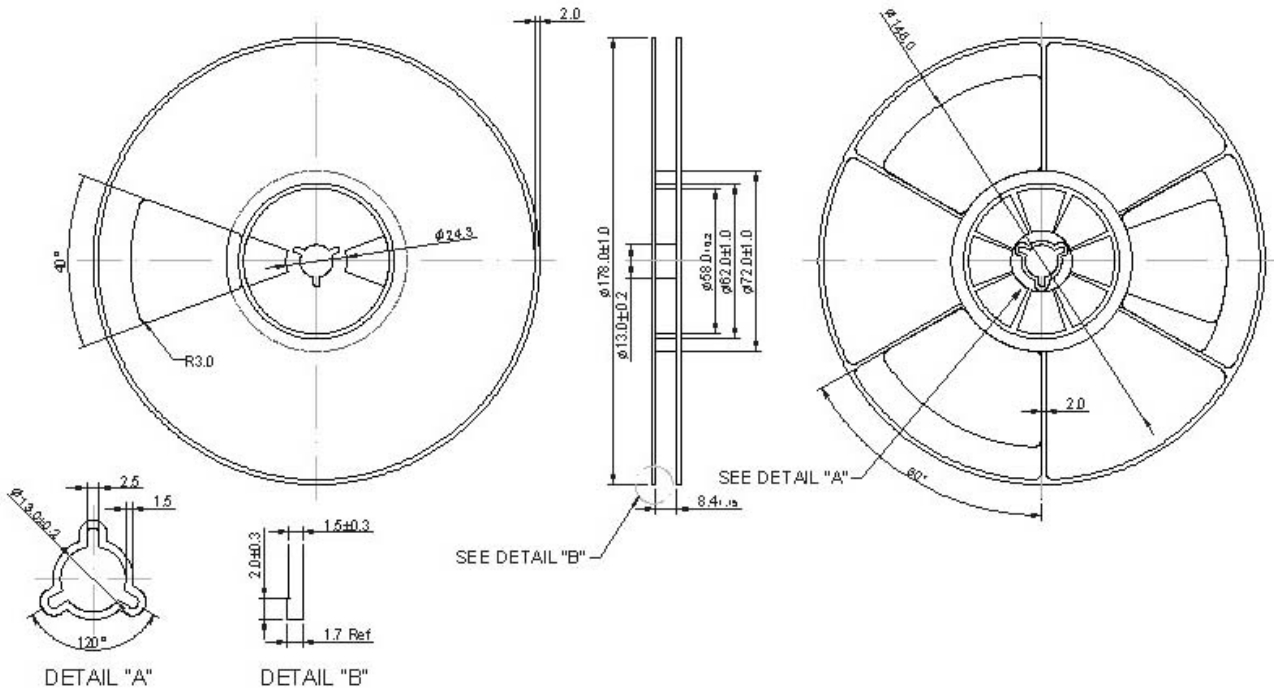


BAW Filter 2442.0MHz
Part No: MP10311

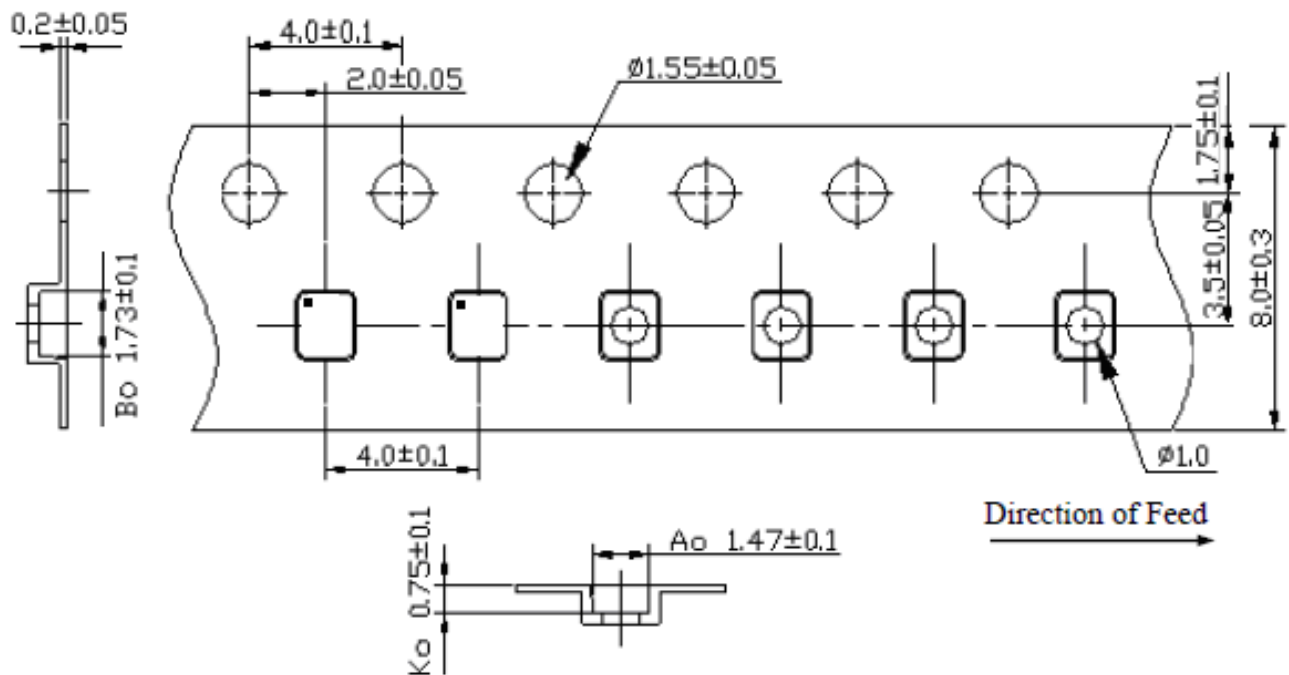
Model: TA2621A
Rev No: 1

G. PACKING:

1. Reel Dimensions



2. Tape Dimensions



BAW Filter 2442.0MHz
Part No: MP10311

Model: TA2621A
Rev No: 1

H. RECOMMENDED REFLOW PROFILE:

1. Preheating shall be fixed at 150 ~ 180°C for 60 ~ 90 seconds.
2. Ascending time to preheating temperature 150°C shall be 30 seconds min.
3. Heating shall be fixed at 220°C for 50 ~ 80 seconds and at 245 ~ 260°C peak (min. 10 sec).
4. Time: 2 times.

