

## Product Description

Description:	125.0MHz GXO-L31L/AI SM Oscillator
Product family:	GXO-L31
Category:	SM Oscillator
Order code:	MP06754

## Features

- ▶ Ceramic body with gold-plated pads
- ▶ Metal lid, seam sealed

## Additional Information

For further information regarding packaging, construction, material composition, soldering profile and environment, please refer to **GXO-L31 Product Information sheet**

For dimensions, refer to package drawing: **D0344-A**

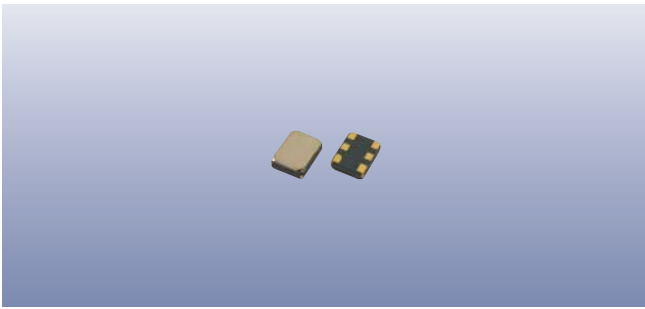
## Electrical Specifications

Parameter	Value	Notes
Nominal frequency:	125.0MHz	
Frequency stability:	±25ppm max	Frequency stability is inclusive of calibration @25°C, operating temperature range, supply voltage change and load change.
Operating temperature range:	-40 to +85°C	
Storage temperature range:	-40 to +85°C	
Supply voltage (V <sub>DD</sub> ):	+3.3V	±5%
Supply current:	20mA max	
Output:	LVDS	
Offset voltage:	1.25V typ	
Differential output voltage:	0.247 ~ 0.454V (0.33V typ)	
Output load:	100Ω	
Waveform symmetry:	45:55% max	@50% V <sub>DD</sub>
Rise / fall time:	0.4ns max	20 ~ 80%V <sub>P-P</sub>
Enable / disable:	Tristate	Control via pad 1
Phase jitter RMS:	1ps max, 0.3ps typ	12kHz ~ 20MHz

## Enable / Disable Function

Input (pad 1*)	Output 1 (pad 4)	Output 2 (pad 5)
Open	Enabled	Enabled
'1' level (≥0.7V <sub>DD</sub> )	Enabled	Enabled
'0' level (≤0.3V <sub>DD</sub> )	High Impedance	High Impedance

\* Enable / disable function can be on pad 2 on request.



## Construction

- ▮ Ceramic body with gold-plated pads
- ▮ Metal lid, seam sealed

## Composition



This product is lead-free, and is fully compliant with current RoHS directives



## Packaging & Handling

Production quantities supplied on T&R, 2k pcs per reel.  
Small quantities may be supplied on tape (no reel), or in bulk.



◆ Static sensitive product. Observe proper handling precautions

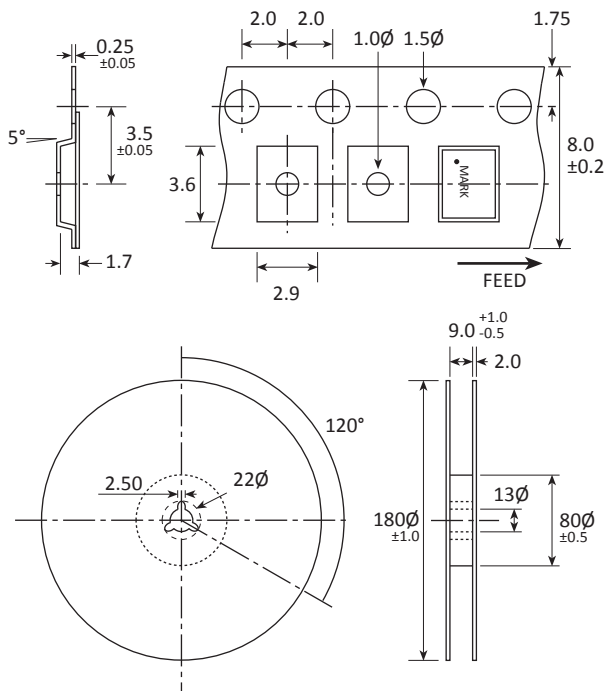
## Marking

FREQUENCY DC  
• PARTNO

- Pin 1
- Marking type: Laser
- DC = Date code in YM, eg "DE" = May 2014

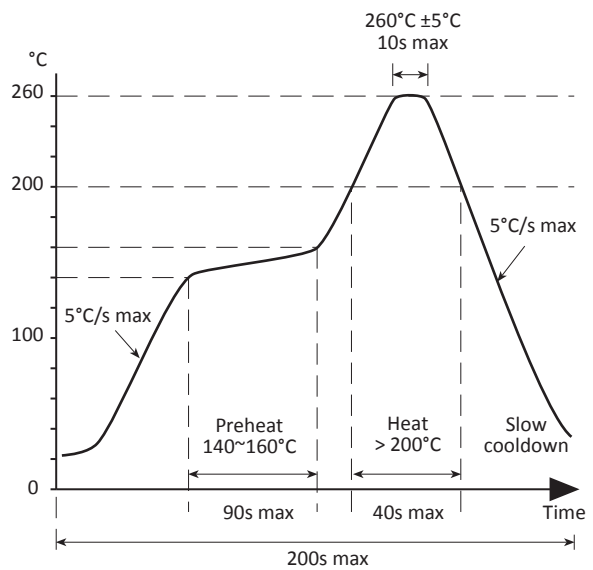
	A	B	C	D	E	F	G	H	J	K	L	M
Y	1	2	3	4	5	6	7	8	9	0		
M	Jan	Feb	Mar	Apr	May	Jun	Jul	Aug	Sep	Oct	Nov	Dec

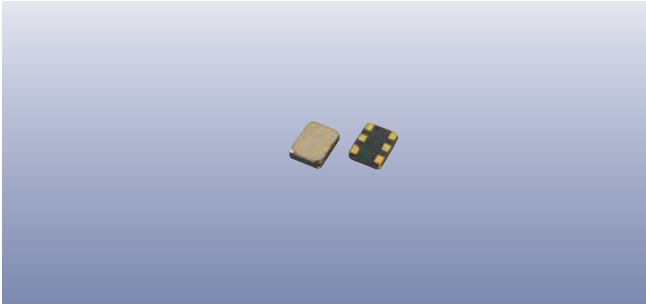
## Tape & Reel Specification



Not to scale. Dimensions in mm. Tolerances ±0.1mm unless otherwise stated.

## Soldering Profile





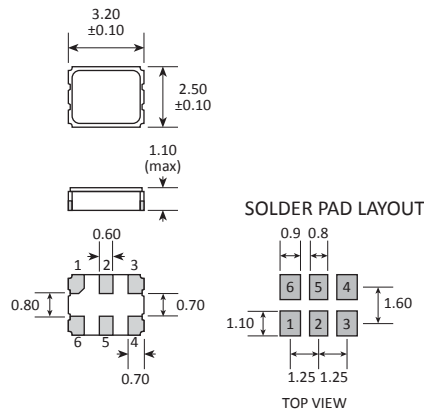
## Product Family

GXO-E31, GXO-L31

## Construction

- ▮▮▮▮▮▮ Ceramic body with gold-plated pads
- ▮▮▮▮▮▮ Metal lid, seam sealed

## Dimensions (mm)



PAD	CONNECTION
1	Enable / disable
2	Not connected
3	Ground
4	Output 1 (Q)
5	Output 2 ( $\bar{Q}$ )
6	Supply