

Product Description

Description:	26.0MHz GTXO-253T/ES SM TCXO
Product family:	GTXO-253
Category:	SM TCXO
Order code:	MP05594

Features

- ▶ AEC-Q200 qualified
- ▶ Ideally suited for GPS applications
- ▶ Low power consumption
- ▶ Miniature SM package
- ▶ Excellent frequency stability

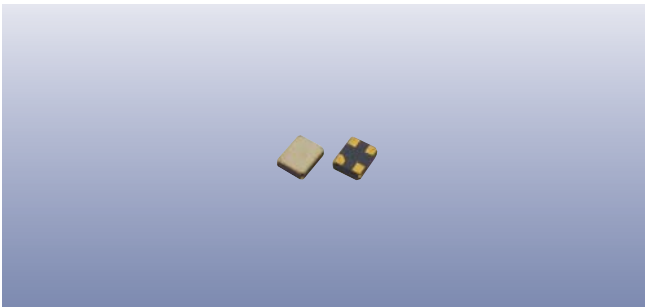
Additional Information

For further information regarding packaging, construction, material composition, soldering profile and environment, please refer to **GTXO-253 Product Information sheet**

For dimensions, refer to package drawing: **D0314-A**

Electrical Specifications

Parameter	Value	Notes
Nominal frequency:	26.0MHz	
Frequency tolerance:	as received after reflow	±1.0ppm max ±2.0ppm max
Temperature stability:	@-30 ~ +85°C @-40 ~ -30°C	±0.5ppm max ±3.0 ppm max
Supply voltage stability:		±5%
Frequency slope:	@-20 ~ +65°C @-30 ~ +85°C @-40 ~ -30°C	±0.05ppm max ±0.1ppm max ±0.35ppm max
Load stability		±5%
Operating temperature range:		-40 to +85°C
Storage temperature range:		-40 to +85°C
Supply voltage:		Wrt +2.8V
Voltage rating:		
Supply current:		
Output waveform:		
Test load:		
Static temperature hysteresis:		
Harmonics:		
Start up time:		
Ageing:		
SSB phase noise:		



Packaging & Handling

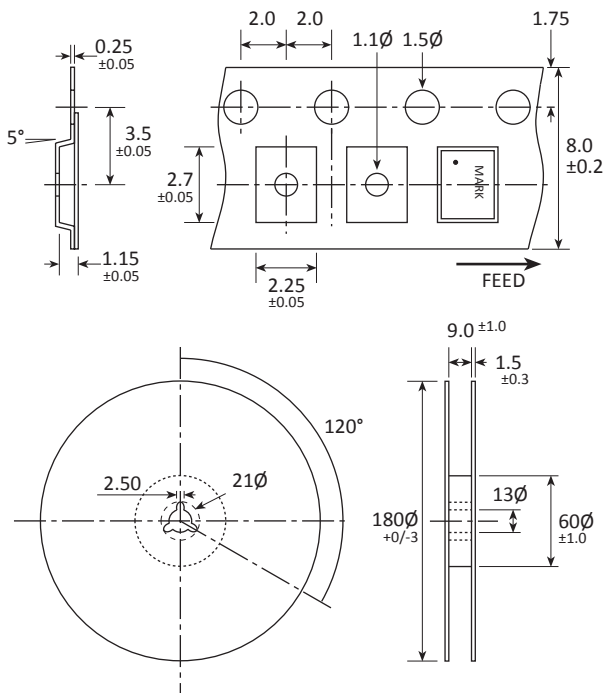
Production quantities supplied on T&R, 1k or 3k pcs per reel. Small quantities may be supplied on tape (no reel), or in bulk.

 Static sensitive product. Observe proper handling precautions

Marking

<p>FREQUENCY</p> <ul style="list-style-type: none"> DC 	<ul style="list-style-type: none"> Pin 1 <p>Marking type: Laser DC = Date code</p>
---	---

Tape & Reel Specification





Not to scale. Dimensions in mm. Tolerances ±0.1mm unless otherwise stated

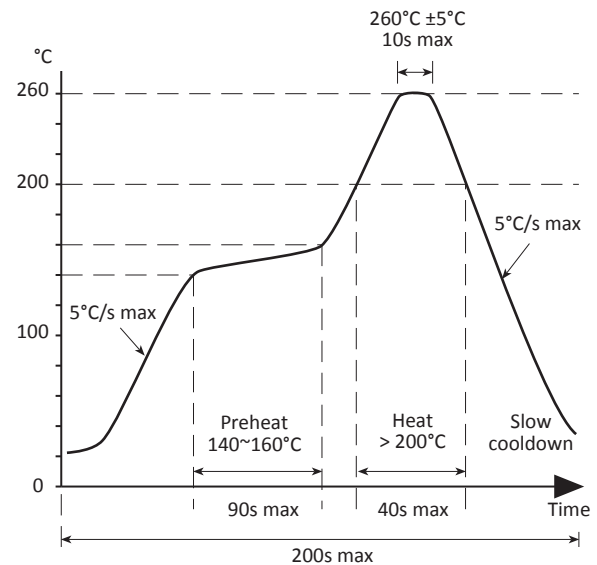
Construction

- Ceramic body with gold-plated pads
- Metal lid, seam sealed

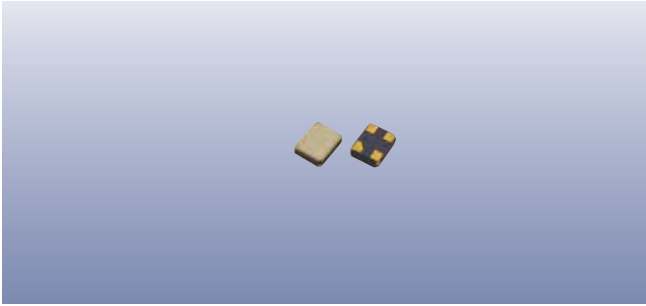
Composition

 This product is lead-free, and is fully compliant with current RoHS directives 

Soldering Profile



Solder resistance: 260°C x 10 secs x 2.



Product Family

GTXO-253T no E/D

Construction

- ▮▮▮▮ Ceramic body with gold-plated pads
- ▮▮▮▮ Metal lid, seam sealed

Dimensions (mm)

