

SAW Filter 914.50MHz
Part No: MP11230

Model: TA0380F
Rev No: 1

A. MAXIMUM RATING:

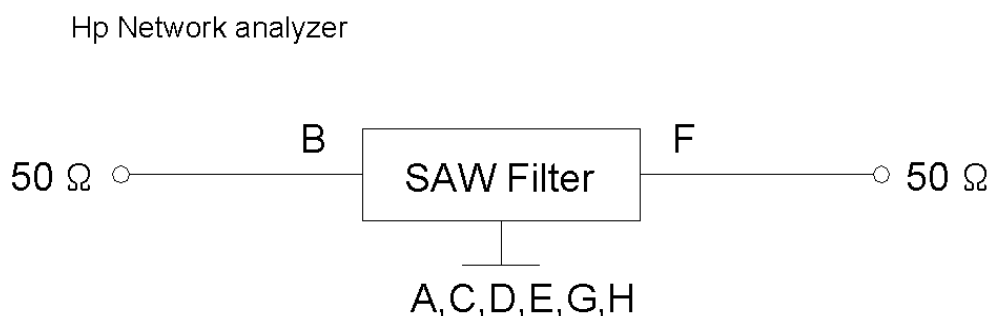
1. Input Power Level: 10dBm
2. DC voltage: 5V
3. Operating Temperature: -20°C to 65°C
4. Storage Temperature: -40°C to +85°C

B. ELECTRICAL CHARACTERISTICS:

| Item | Min. | Typ. | Max. |
|---|------|-------|------|
| Center frequency Fc MHz | - | 914.5 | - |
| Insertion loss 910.5 ~ 918.5MHz IL max (dB) | - | 2.8 | 4.0 |
| Amplitude ripple 910.5 ~ 918.5MHz (dB) | - | 0.5 | 2.0 |
| Attenuation (Relative to IL max) | | | |
| 10.0 ~ 830.0MHz (dB) | 45 | 52 | - |
| 830.0 ~ 893.5MHz (dB) | 36 | 46 | - |
| 893.5 ~ 895.5MHz (dB) | 27 | 41 | - |
| 959.0 ~ 980.0MHz (dB) | 32 | 46 | - |
| 980.0 ~ 1200.0MHz (dB) | 42 | 47 | - |
| Source impedance Z _S (Ω) | - | 50 | - |
| Load impedance Z _L (Ω) | - | 50 | - |

Note: No matching network required for operation at 50Ω.

C. MEASUREMENT CIRCUIT:

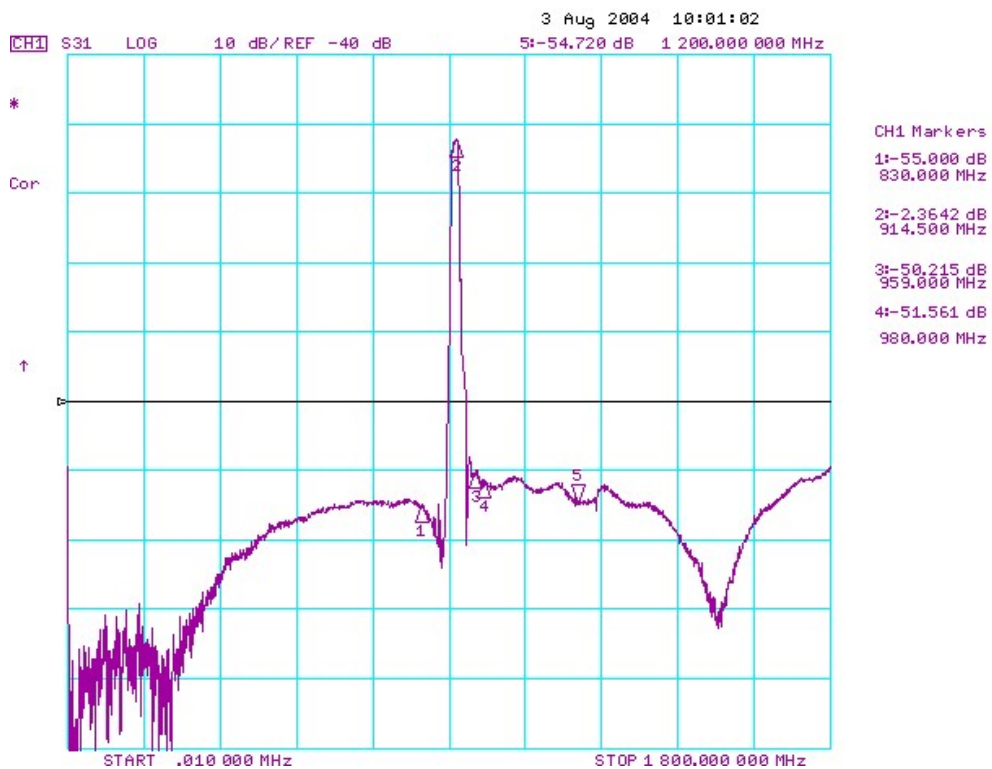
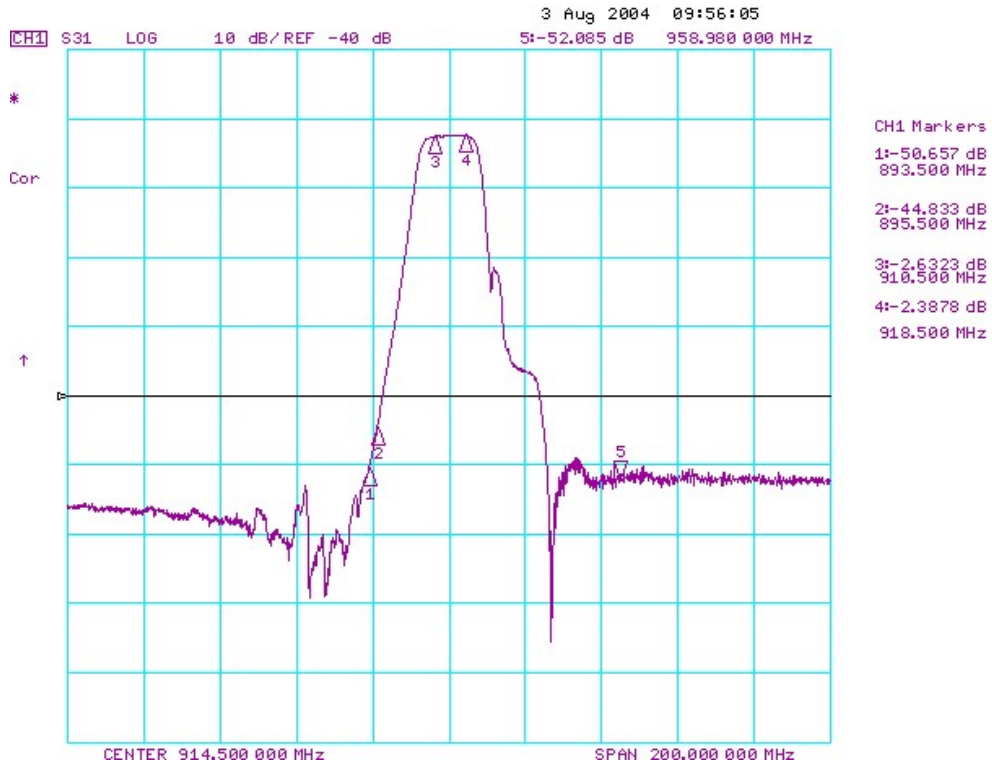


SAW Filter 914.50MHz
Part No: MP11230

Model: TA0380F
Rev No: 1

D. FREQUENCY CHARACTERISTICS:

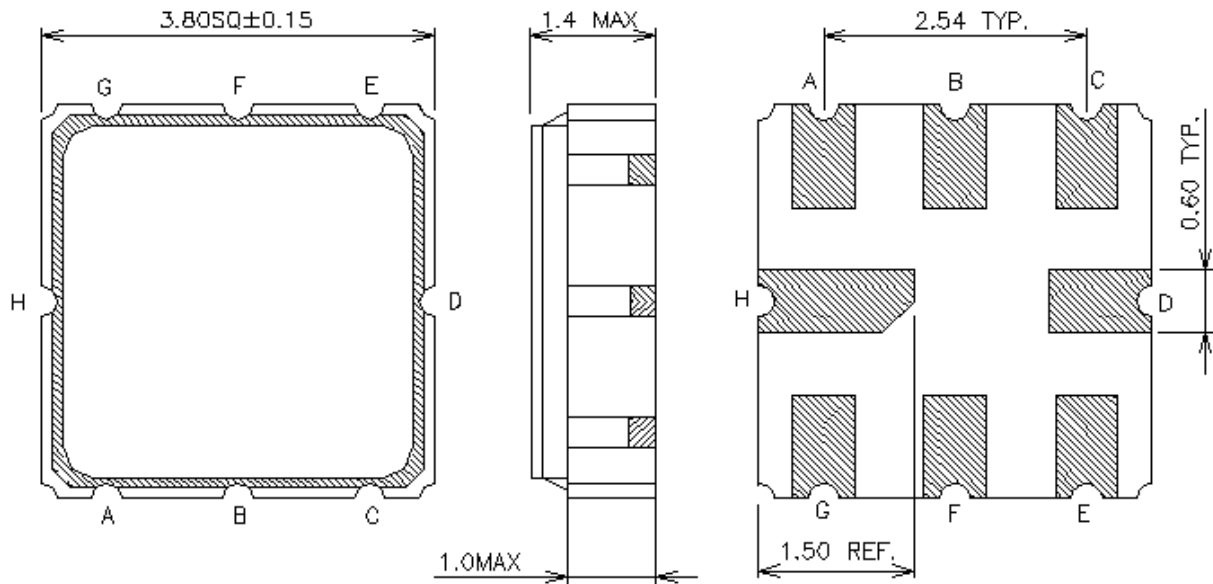
Transfer Function:



SAW Filter 914.50MHz
Part No: MP11230

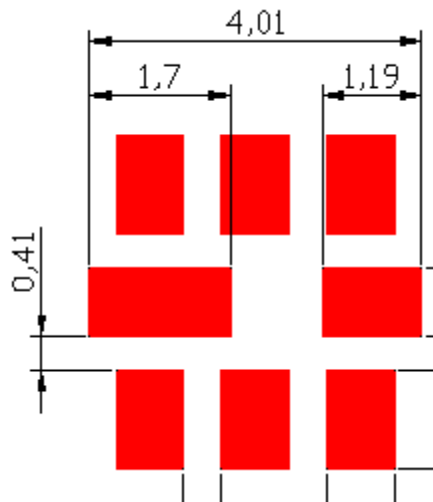
Model: TA0380F
Rev No: 1

E. OUTLINE DRAWING:



B: Input
 F: Output
 A, C, D, E, G, H: Ground
 Unit: mm

F. PCB FOOTPRINT:

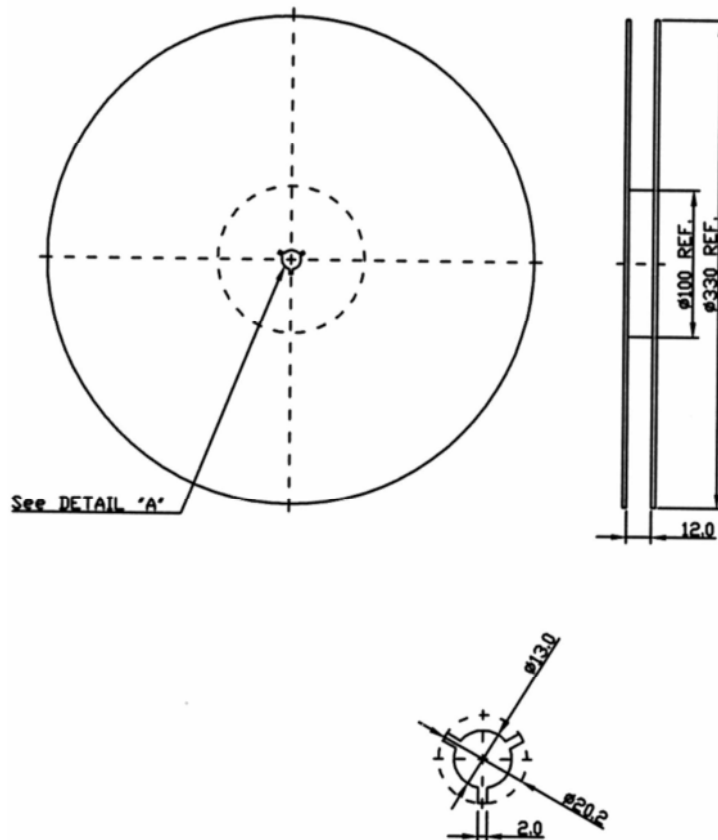


SAW Filter 914.50MHz
Part No: MP11230

Model: TA0380F
Rev No: 1

G. PACKING:

1. Reel Dimensions



2. Tape Dimensions

