

SAW Filter 915.0MHz
Part No: MP08158

Model: TA1460A
Rev No: 1

A. MAXIMUM RATING:

Electrostatic Sensitive Device (ESD)

1. Maximum RF Power: 10dBm
2. DC Voltage: 0V
3. Operating Temperature: -40°C to +85°C
4. Storage Temperature: -40°C to +85°C

B. ELECTRICAL CHARACTERISTICS:

Item	Unit	Min.	Typ.	Max.
Center frequency, Fc	MHz	-	915	-
Amplitude ripple (902 ~ 928MHz)		-	1.4	2.0
Insertion loss IL (902 ~ 928MHz)	dB	-	2.9	3.5
Attenuation (reference from 0dB)				
0.3 ~ 800MHz	dB	25	33	-
800 ~ 880MHz	dB	20	37	-
960 ~ 1280MHz	dB	35	38	-
1280 ~ 2000MHz	dB	20	35	-
Temperature coefficient of frequency, TCf (ppm/K)		-	-30	-
Source impedance Z _S	Ω	-	50	-
Load impedance Z _L	Ω	-	50	-

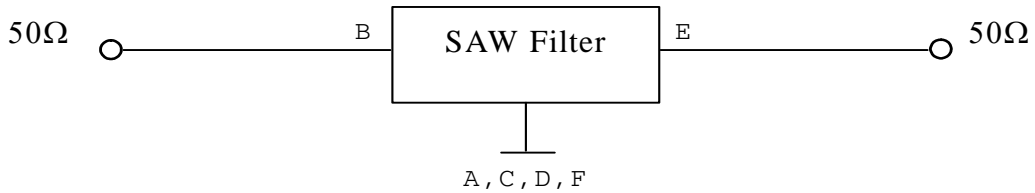
Note: The standard definition is in JIS C 6703

SAW Filter 915.0MHz
Part No: MP08158

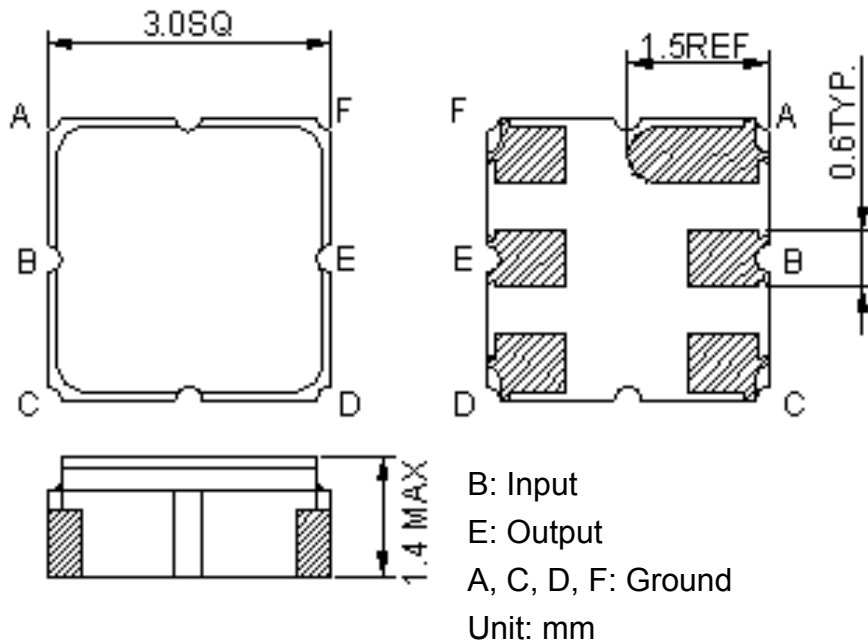
Model: TA1460A
Rev No: 1

C. MEASUREMENT CIRCUIT:

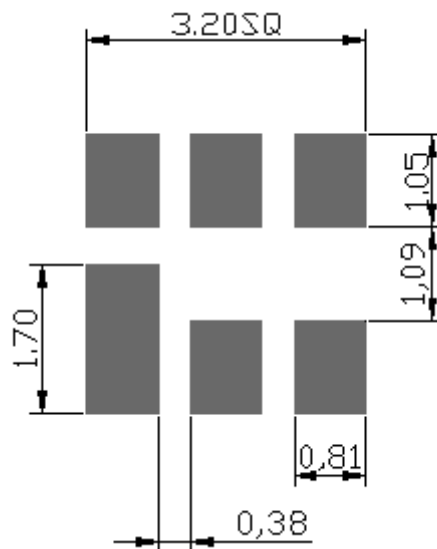
HP Network analyzer



D. OUTLINE DRAWING:



E. PCB FOOTPRINT:

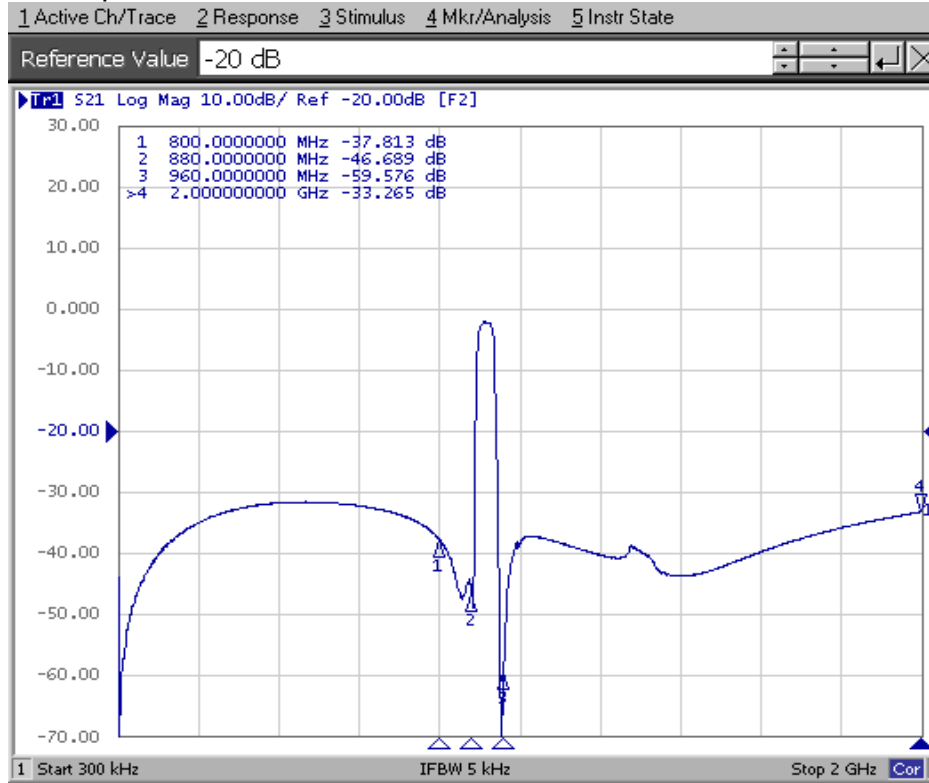


SAW Filter 915.0MHz
Part No: MP08158

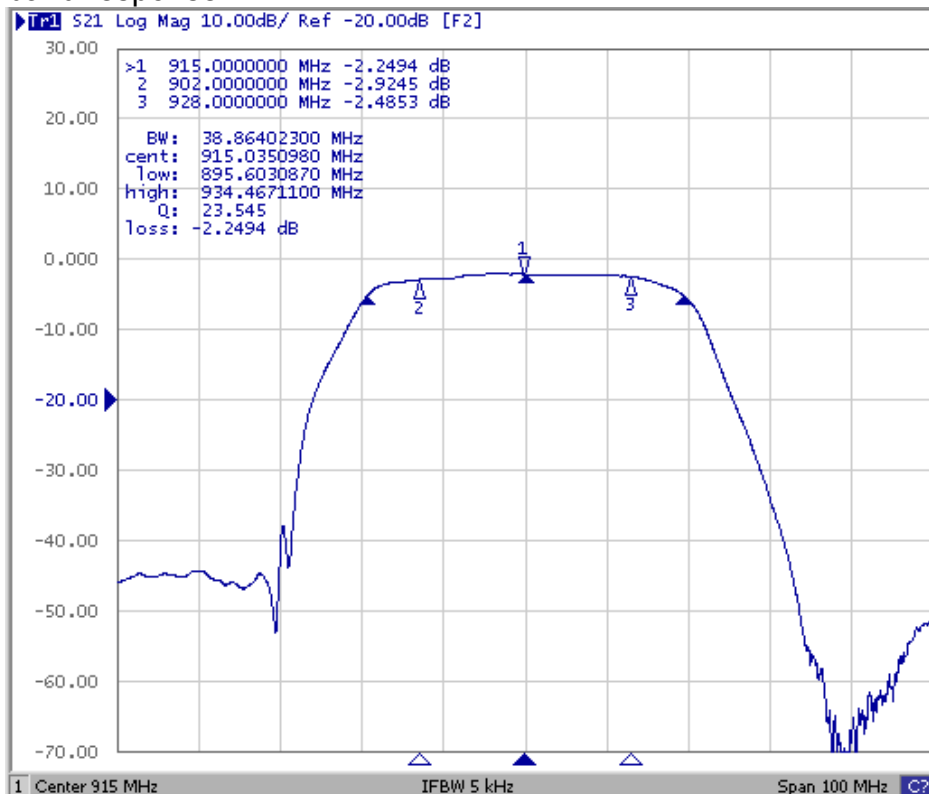
Model: TA1460A
Rev No: 1

F. FREQUENCY CHARACTERISTICS:

1. Wideband response:



2. Narrowband response:

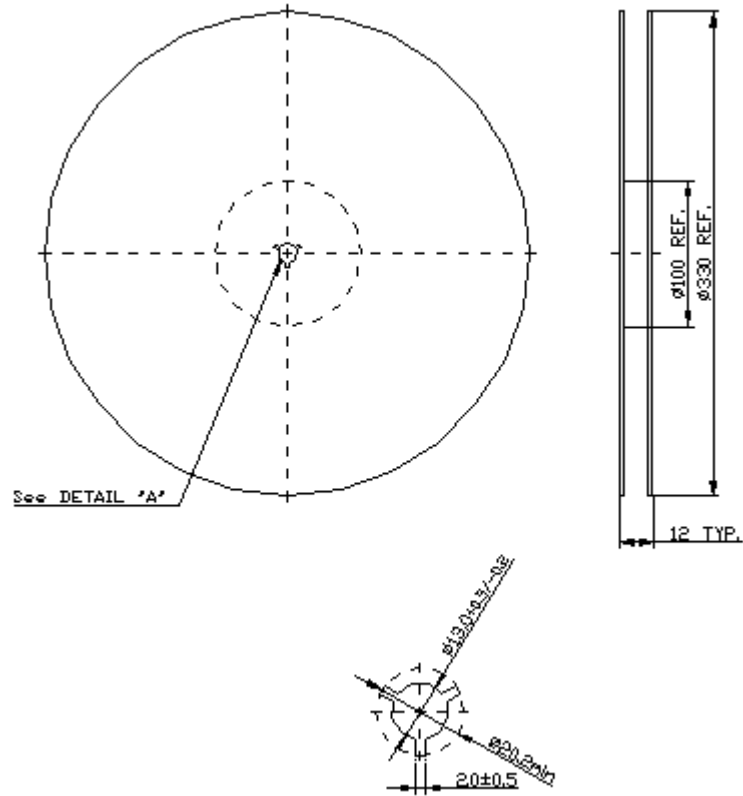


SAW Filter 915.0MHz
Part No: MP08158

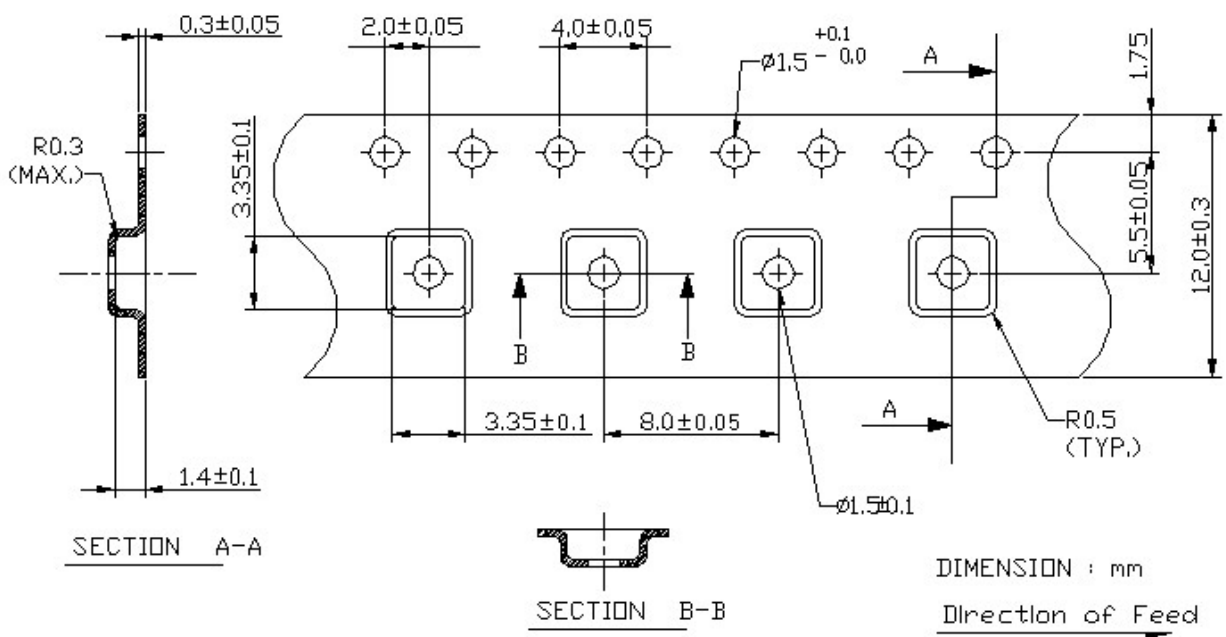
Model: TA1460A
Rev No: 1

G. PACKING:

1. Reel Dimension



2. Tape Dimension



SAW Filter 915.0MHz
Part No: MP08158

Model: TA1460A
Rev No: 1

H. RECOMMENDED REFLOW PROFILE:

