

**SAW Filter 915.0MHz**  
**Part No: MP08157**

**Model: TA1363A**  
**Rev No: 1**

**A. MAXIMUM RATING:**

Electrostatic Sensitive Device (ESD)

1. Input Power Level: 15dBm
2. DC Voltage: 3V
3. Operating Temperature: -40°C to +85°C
4. Storage Temperature: -40°C to +85°C

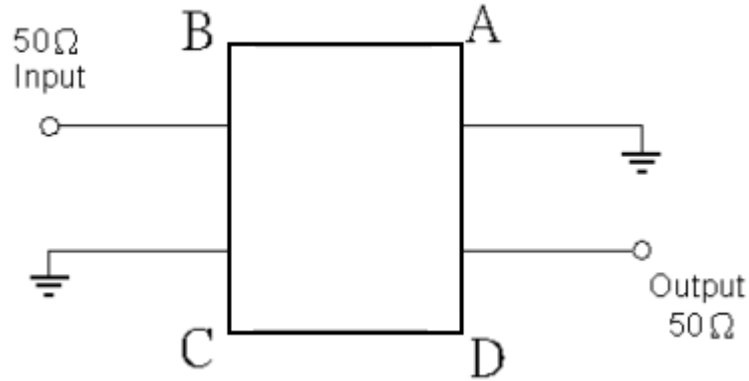
**B. ELECTRICAL CHARACTERISTICS:**

Item	Unit	Min	Typ	Max
Center Frequency Fc	MHz	-	915	-
Insertion Loss (902 ~ 928MHz) IL	dB	-	2.4	3
Amplitude Ripple (902 ~ 928MHz)	dB	-	0.6	1.5
Group Delay Variation (902 ~ 928MHz)	ns	-	15	50
Input / Output Return Loss (902 ~ 928MHz)	dB	8	11	-
Attenuation (Reference level from 0dB)				
10 ~ 857.5MHz	dB	40	47	
857.5 ~ 882.5MHz	dB	35	43	-
970 ~ 1005MHz	dB	35	42	-
1005 ~ 1110MHz	dB	45	56	-
1110 ~ 3000MHz	dB	25	30	-

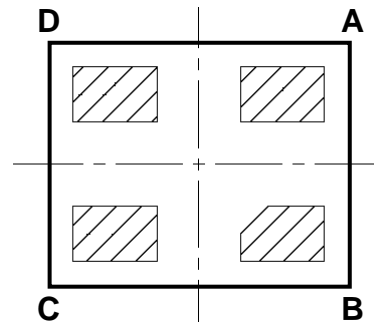
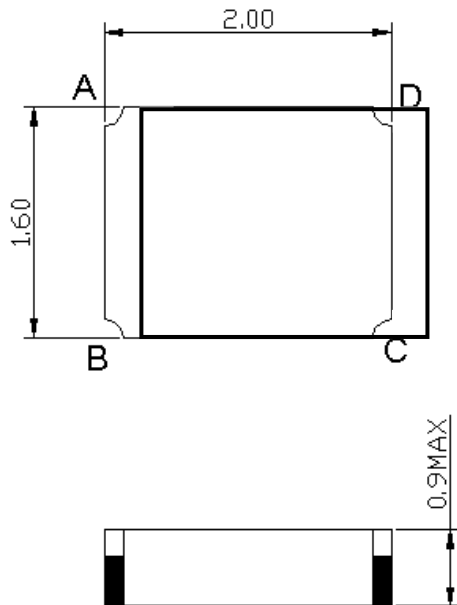
**SAW Filter 915.0MHz**  
**Part No: MP08157**

**Model: TA1363A**  
**Rev No: 1**

**C. MEASUREMENT CIRCUIT:**

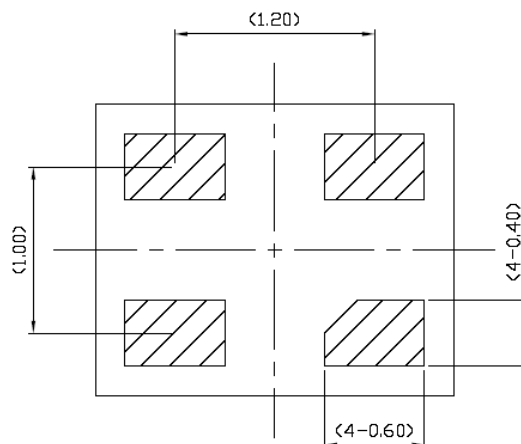


**D. OUTLINE DRAWING:**



B: Input  
D: Output  
A, C: Ground  
Unit: mm

**E. PCB FOOTPRINT:**

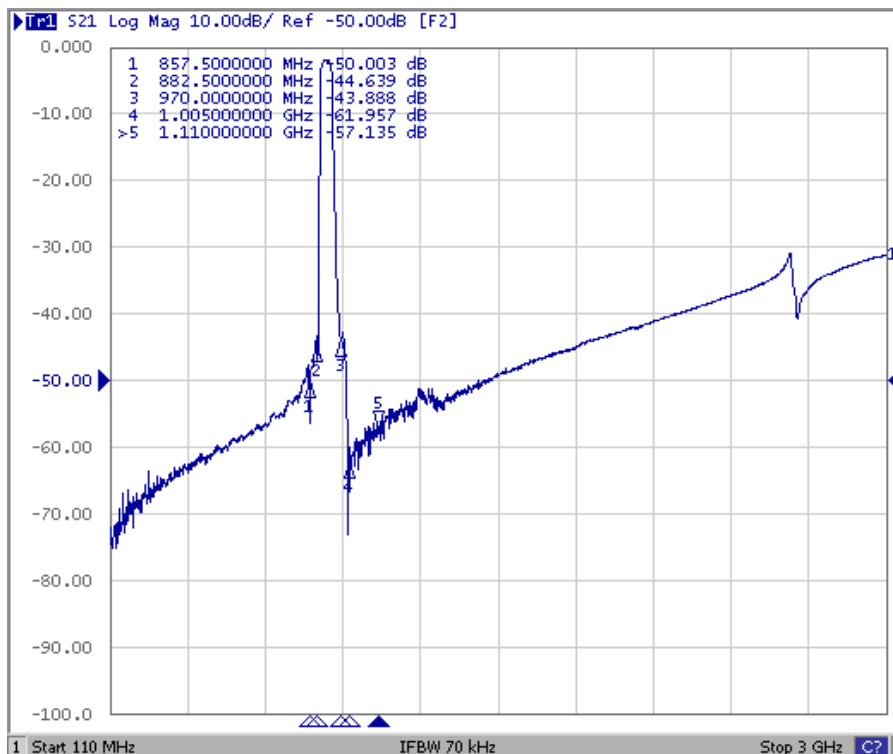
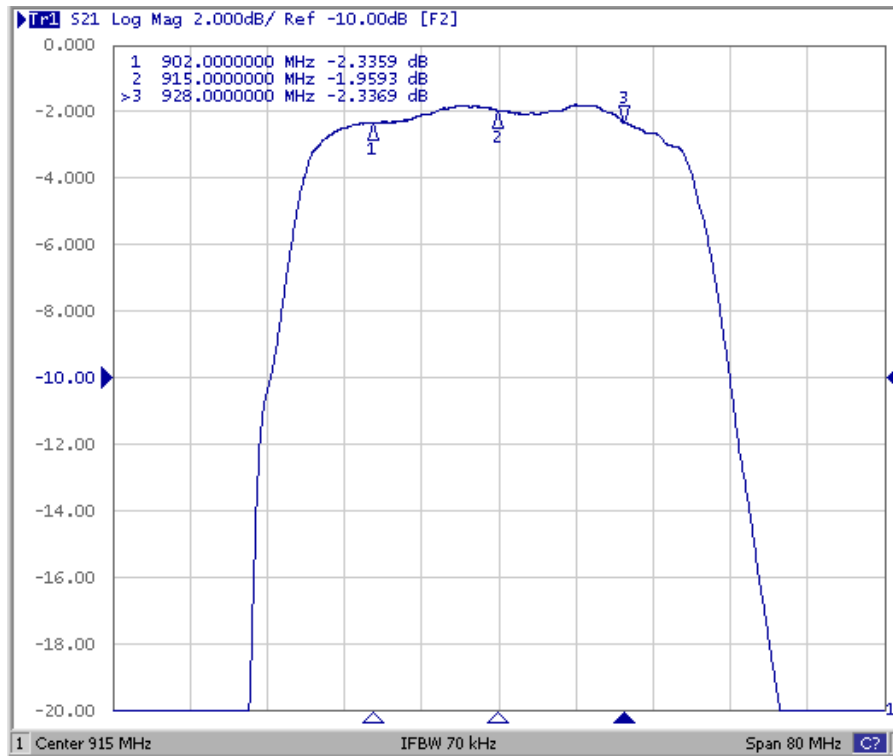


**SAW Filter 915.0MHz**  
**Part No: MP08157**

**Model: TA1363A**  
**Rev No: 1**

**F. FREQUENCY CHARACTERISTICS:**

1. Transfer function

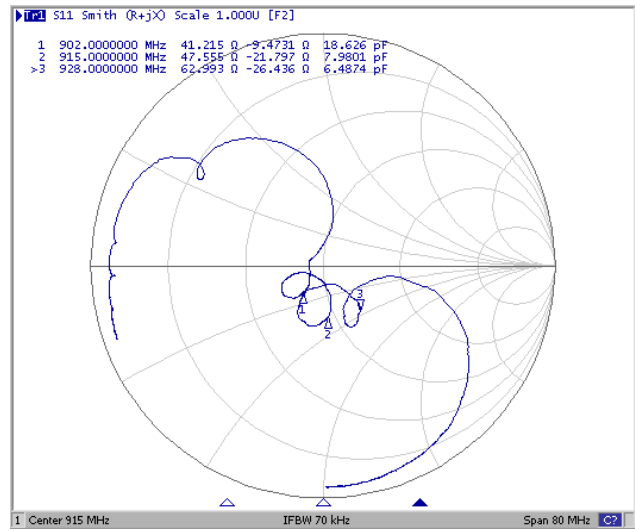
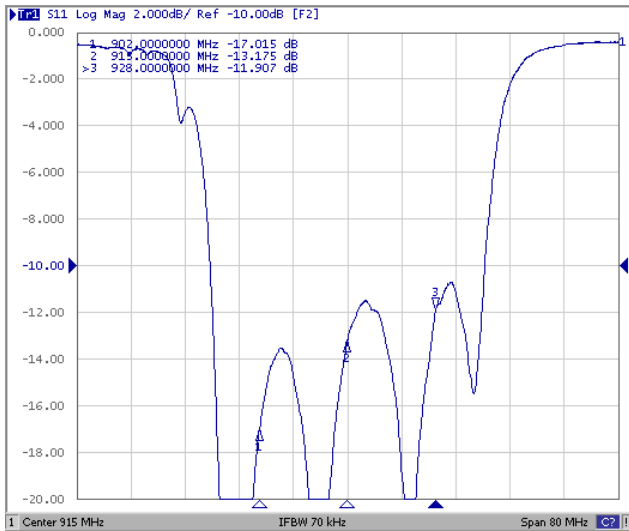


**SAW Filter 915.0MHz**  
**Part No: MP08157**

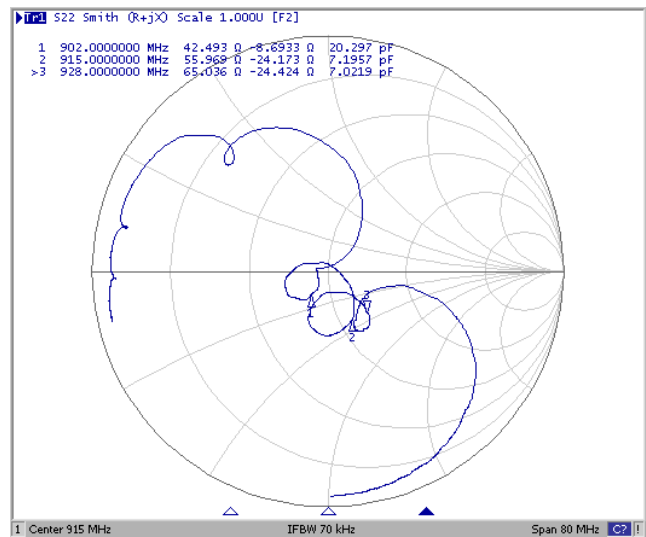
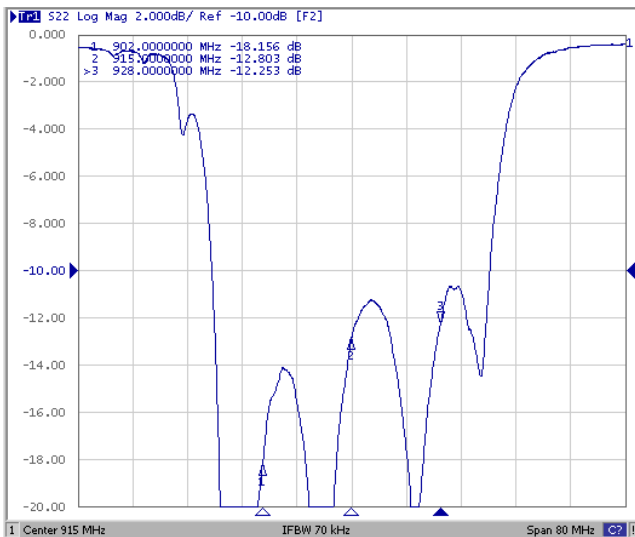
**Model: TA1363A**  
**Rev No: 1**

2. Reflections Functions

S11



S22

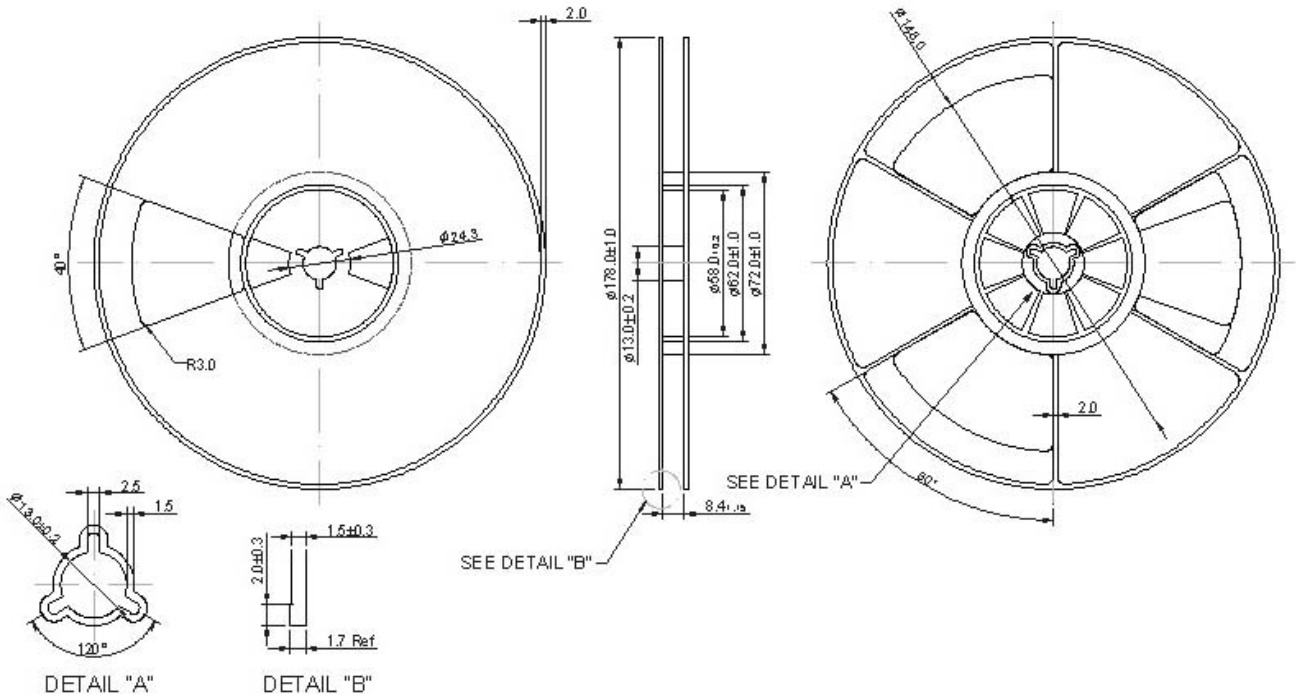


**SAW Filter 915.0MHz**  
**Part No: MP08157**

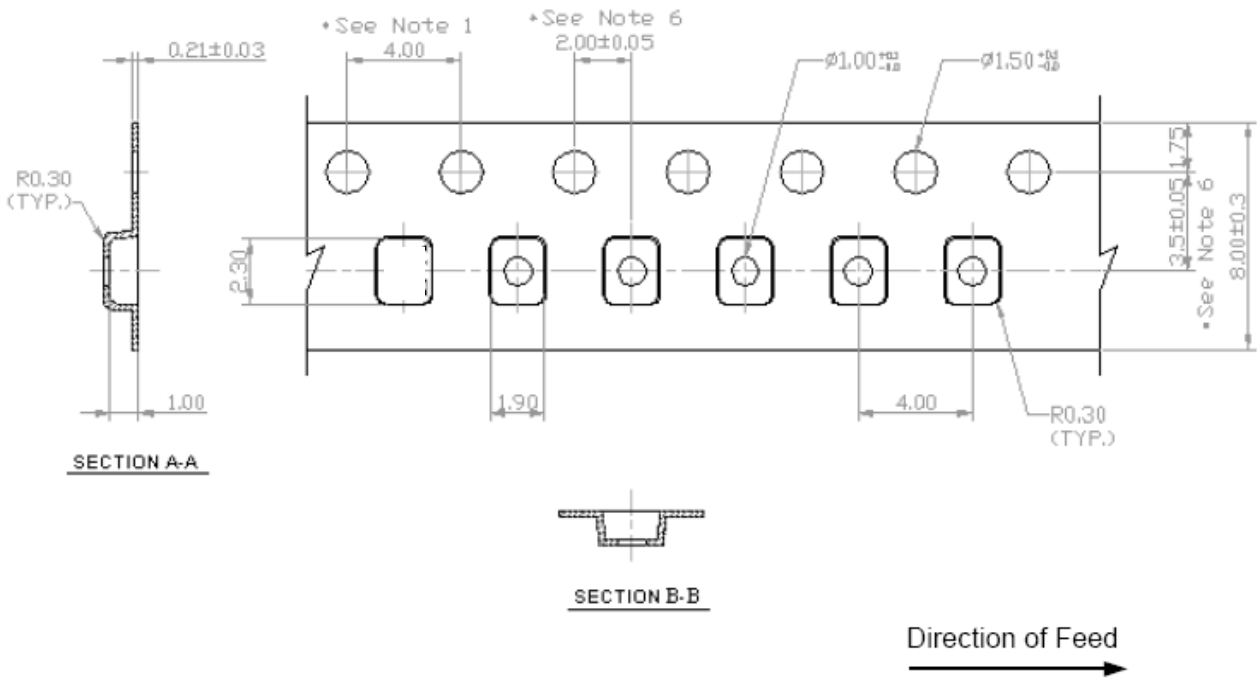
**Model: TA1363A**  
**Rev No: 1**

**G. PACKING:**

1. Reel Dimension



2. Tape Dimension



**SAW Filter 915.0MHz**  
**Part No: MP08157**

**Model: TA1363A**  
**Rev No: 1**

**H. RECOMMENDED REFLOW PROFILE:**

