

**SAW Filter 2017.50MHz**  
**Part No: MP07232**

**Model: TA1238A**  
**Rev No: 1**

**A. MAXIMUM RATING:**

1. Input Power Level: +10dBm
2. DC Voltage: 3V
3. Operating Temperature: -40°C to +85°C
4. Storage Temperature: -40°C to +95°C

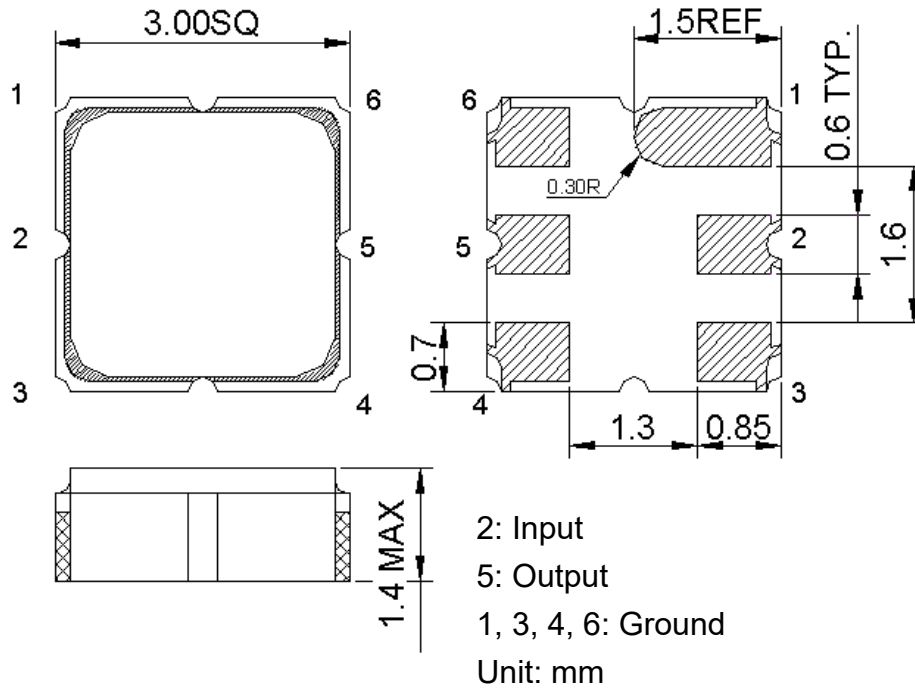
**B. ELECTRICAL CHARACTERISTICS:**

Item	Unit	Min.	Typ.	Max.	Note
Center Frequency Fc	MHz	-	2017.5	-	-
Insertion Loss (2010~2025 MHz) IL	dB	-	3.1	4.2	-
Amplitude Ripple (2010~2025MHz)	dB	-	0.4	1.4	-
Group Delay Ripple (2010~2025MHz)	ns	-	9	30	-
VSWR (2010~2025MHz)		-	1.3	2.5	-
Attenuation (Reference level from 0 dB)					
1700 ~ 1785MHz	dB	40	50	-	-
1800 ~ 1860MHz	dB	45	51	-	-
1920 ~ 1980MHz	dB	30	37	-	-
2045 ~ 2070MHz	dB	6	33	-	-
2070 ~ 2085MHz	dB	15	54	-	-
2170 ~ 4000MHz	dB	30	33	-	-

**SAW Filter 2017.50MHz**  
**Part No: MP07232**

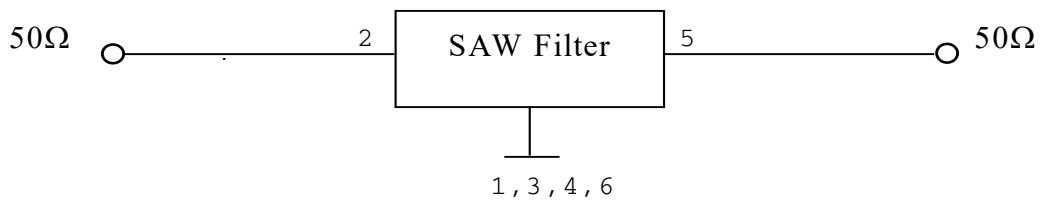
**Model: TA1238A**  
**Rev No: 1**

**C. OUTLINE DRAWING:**

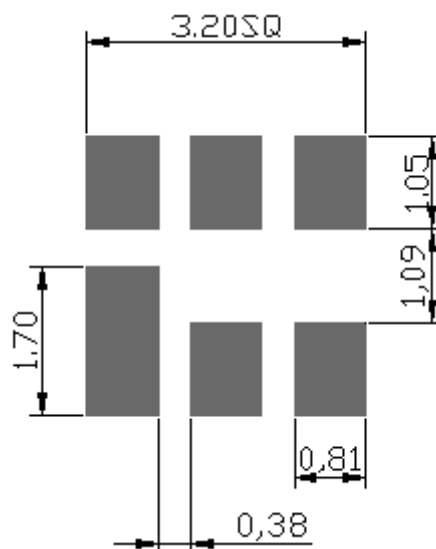


**D. MEASUREMENT CIRCUIT:**

HP Network analyzer



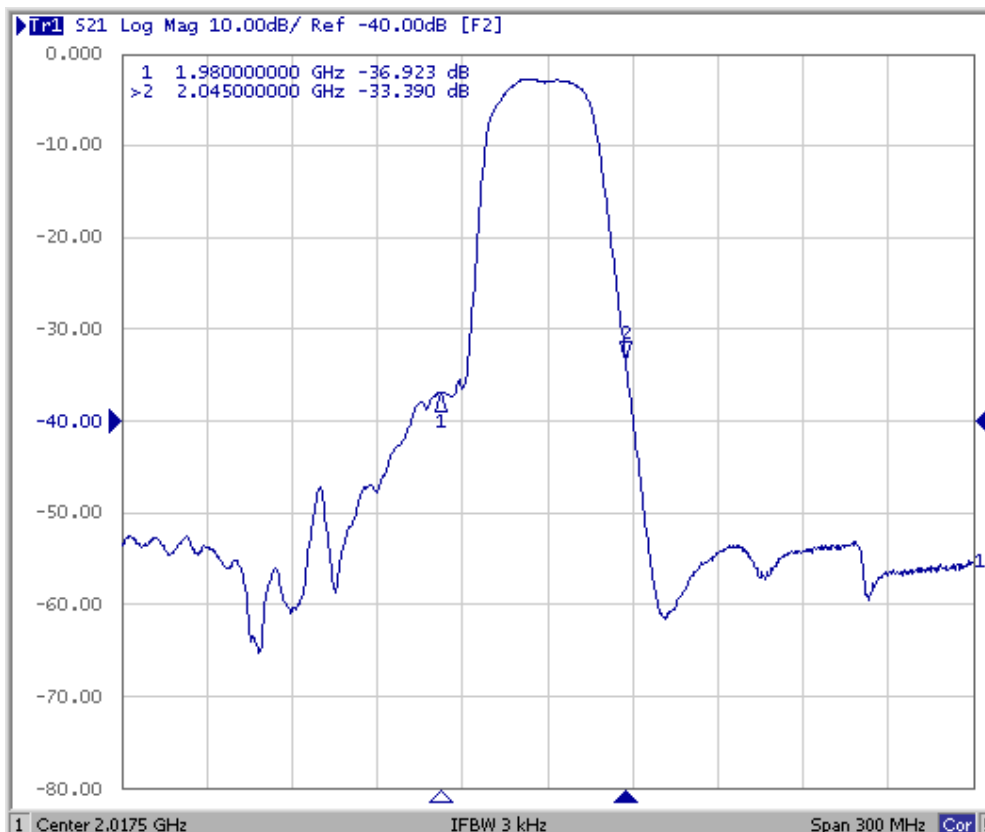
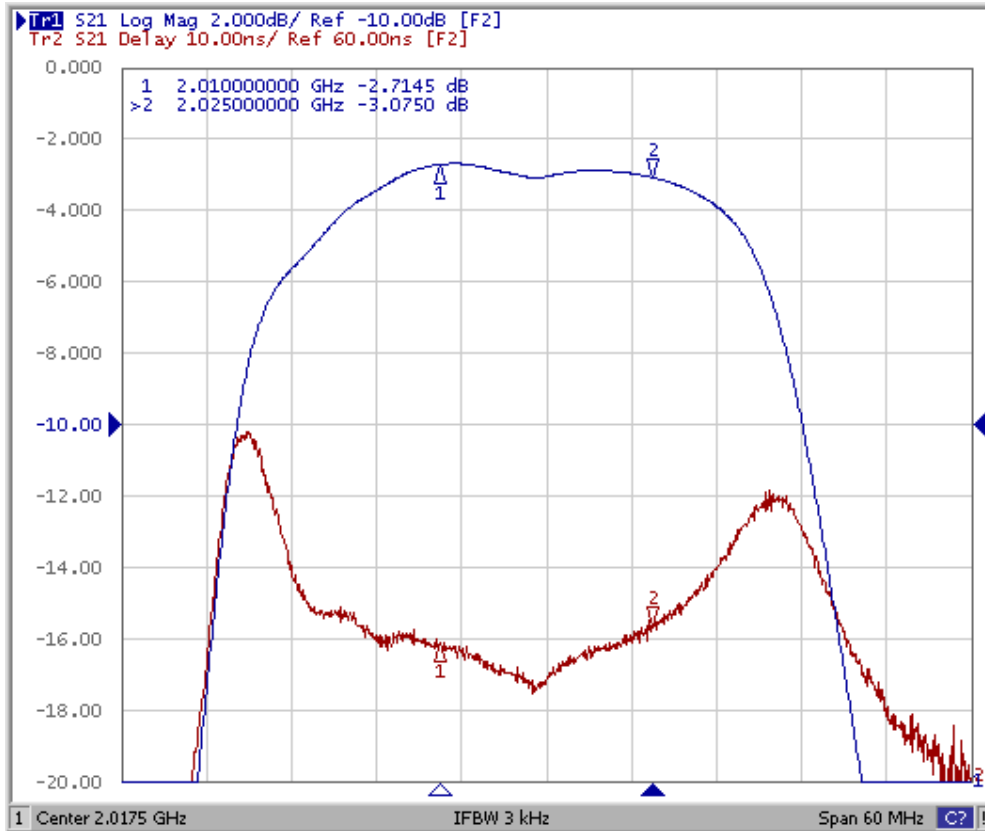
**E. PCB FOOTPRINT:**



**SAW Filter 2017.50MHz**  
**Part No: MP07232**

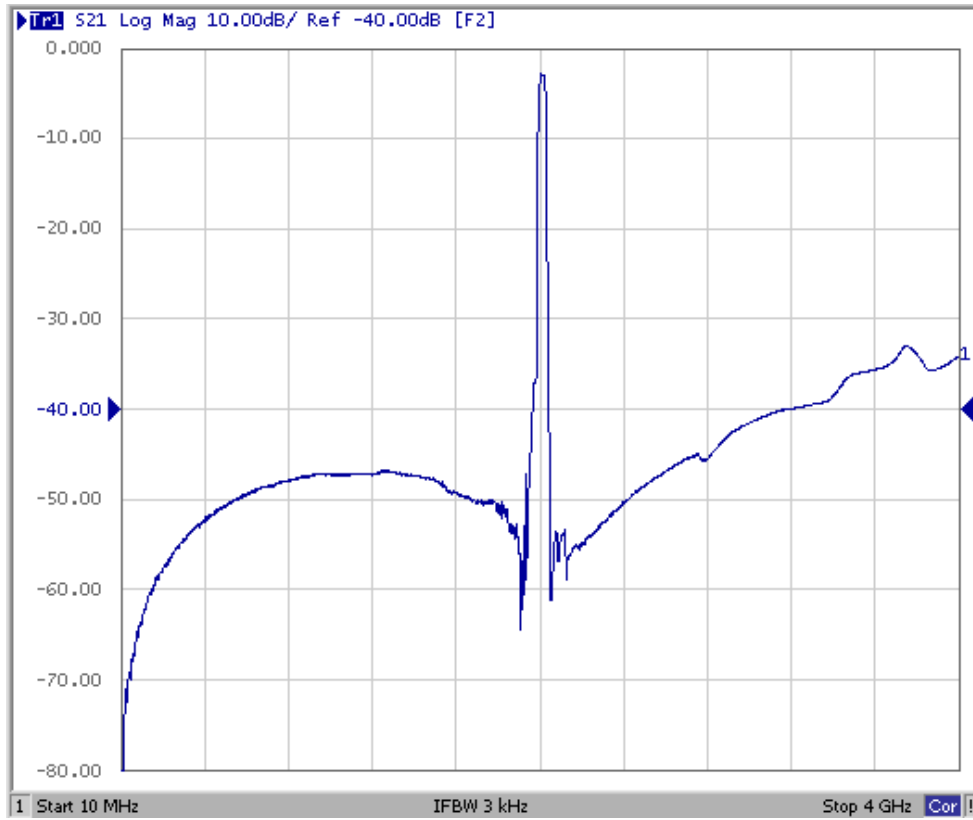
**Model: TA1238A**  
**Rev No: 1**

**F. FREQUENCY CHARACTERISTICS:**



**SAW Filter 2017.50MHz**  
**Part No: MP07232**

**Model: TA1238A**  
**Rev No: 1**

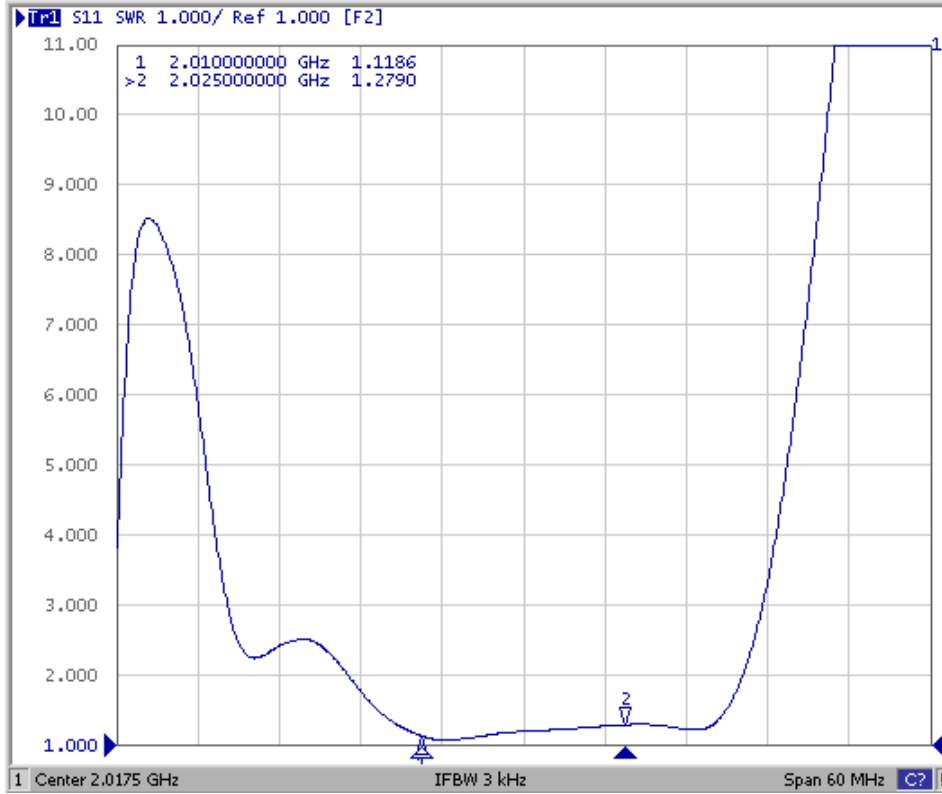


**SAW Filter 2017.50MHz**  
**Part No: MP07232**

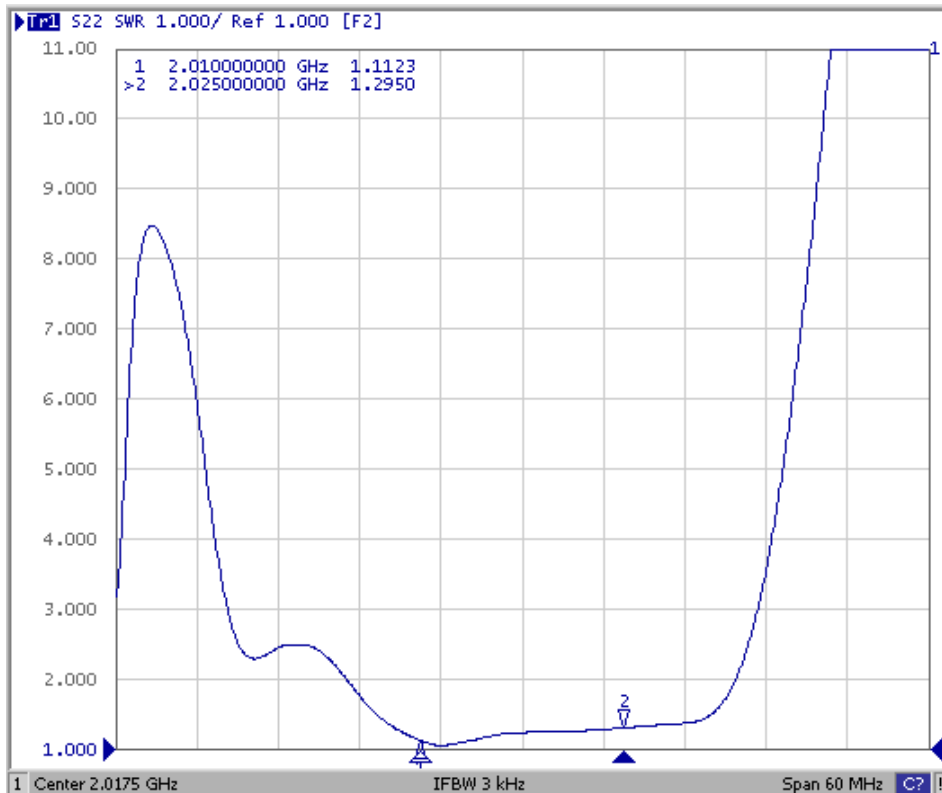
**Model: TA1238A**  
**Rev No: 1**

Reflection Functions

S11



S22

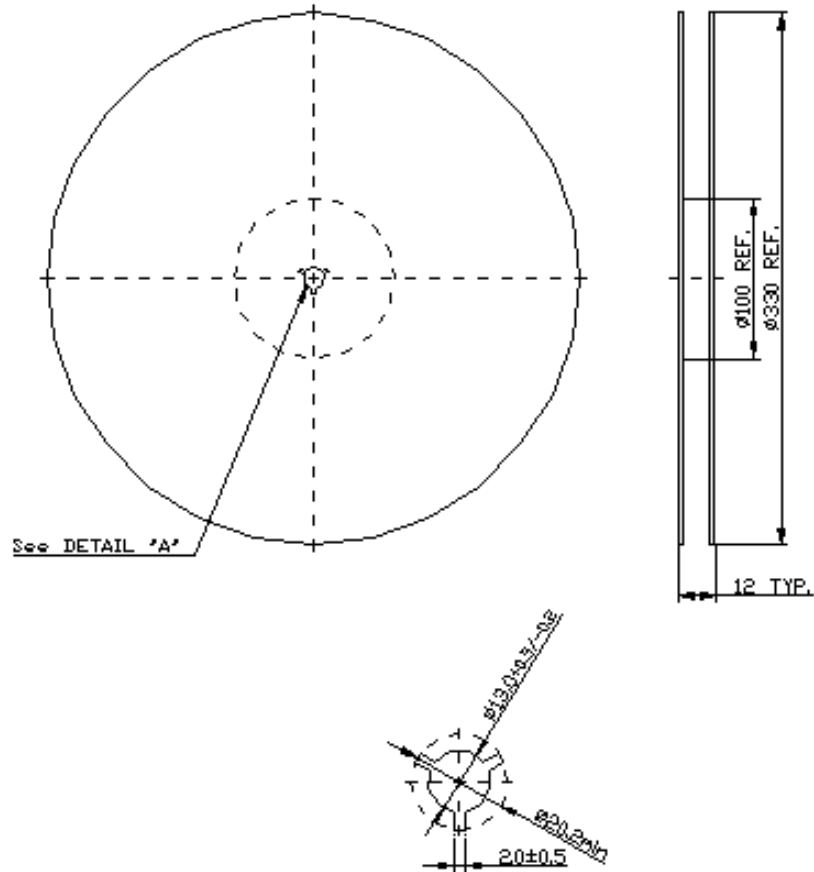


**SAW Filter 2017.50MHz**  
**Part No: MP07232**

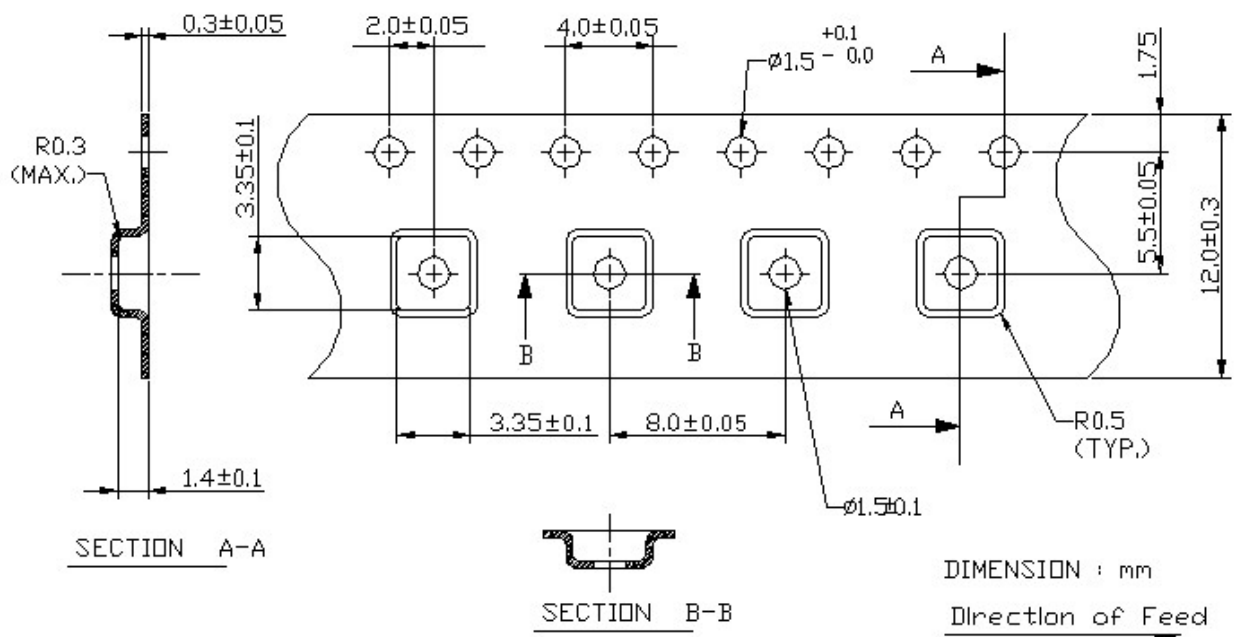
**Model: TA1238A**  
**Rev No: 1**

**G. PACKING:**

1. Reel Dimensions



2. Tape Dimensions



**SAW Filter 2017.50MHz**  
**Part No: MP07232**

**Model: TA1238A**  
**Rev No: 1**

**H. RECOMMENDED REFLOW PROFILE:**

