

**SAW Filter 862.0MHz**  
**Part No: MP04866**

**Ref No: TA1285A**  
**Rev No: 1**

**A. MAXIMUM RATING:**

1. Input Power Level: 16dBm
2. DC Voltage: 3V
3. Operating Temperature: -30°C to +85°C
4. Storage Temperature: -40°C to +95°C

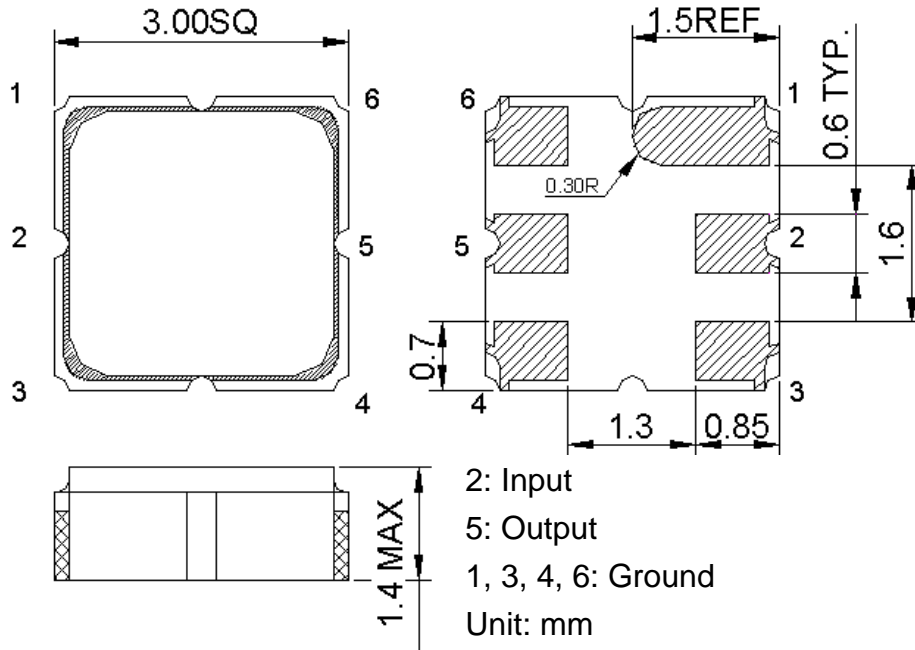
**B. ELECTRICAL CHARACTERISTICS:**

| Item                                   | Unit   | Min. | Typ. | Max. | Note |
|--|--------|------|------|------|------|
| Center Frequency Fc                    | MHz    | -    | 862  | -    | -    |
| Insertion Loss (854 ~ 870MHz) IL       | dB     | -    | 1.6  | 2    | -    |
| Amplitude Ripple (854 ~ 870MHz)        | dB     | -    | 0.6  | 1.3  | -    |
| VSWR (854 ~ 870MHz)                    |        | -    | 1.7  | 2    | -    |
| Attenuation (Reference level from 0dB) |        |      |      |      |      |
| 40 ~ 200MHz                            | dB     | 35   | 42   | -    | -    |
| 650 ~ 800MHz                           | dB     | 20   | 36   | -    | -    |
| 800 ~ 830MHz                           | dB     | 15   | 39   | -    | -    |
| 885 ~ 902MHz                           | dB     | 20   | 55   | -    | -    |
| 990 ~ 1025MHz                          | dB     | 35   | 40   | -    | -    |
| 1025 ~ 1600MHz                         | dB     | 35   | 44   | -    | -    |
| 1600 ~ 3000MHz                         | dB     | 13   | 30   | -    | -    |
| Temperature Coefficient of Frequency   | ppm/°C | -    | -36  | -    | -    |

**SAW Filter 862.0MHz**  
**Part No: MP04866**

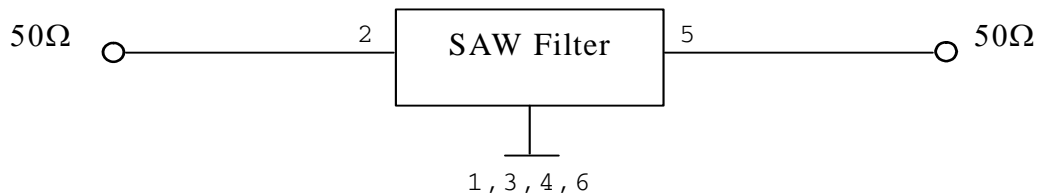
**Ref No: TA1285A**  
**Rev No: 1**

**C. OUTLINE DRAWING:**

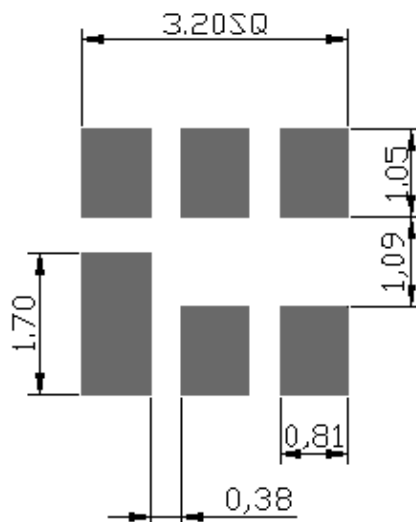


**D. MEASUREMENT CIRCUIT:**

HP Network analyzer



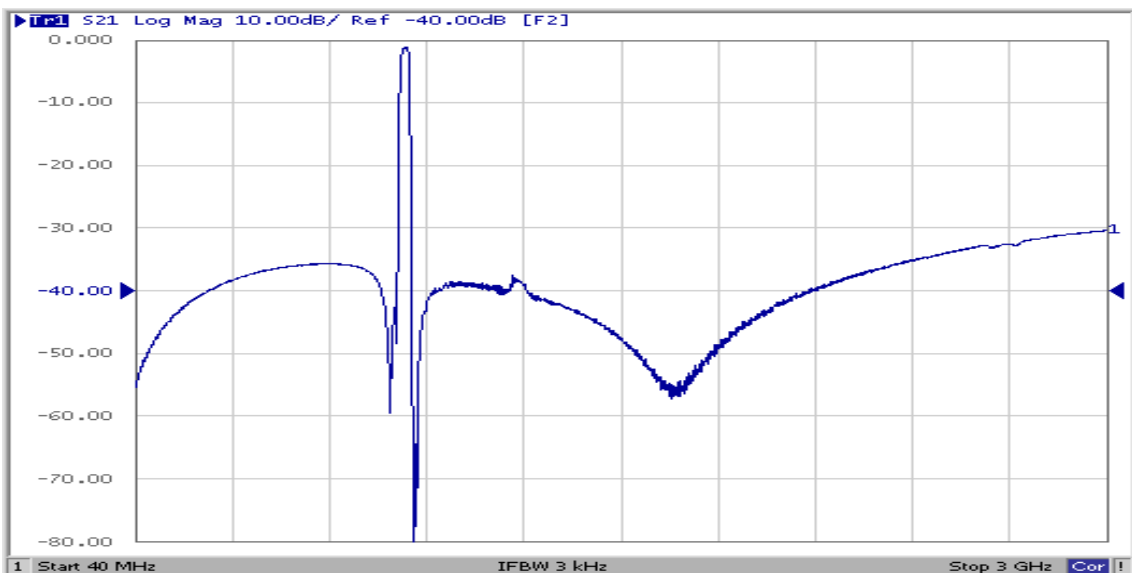
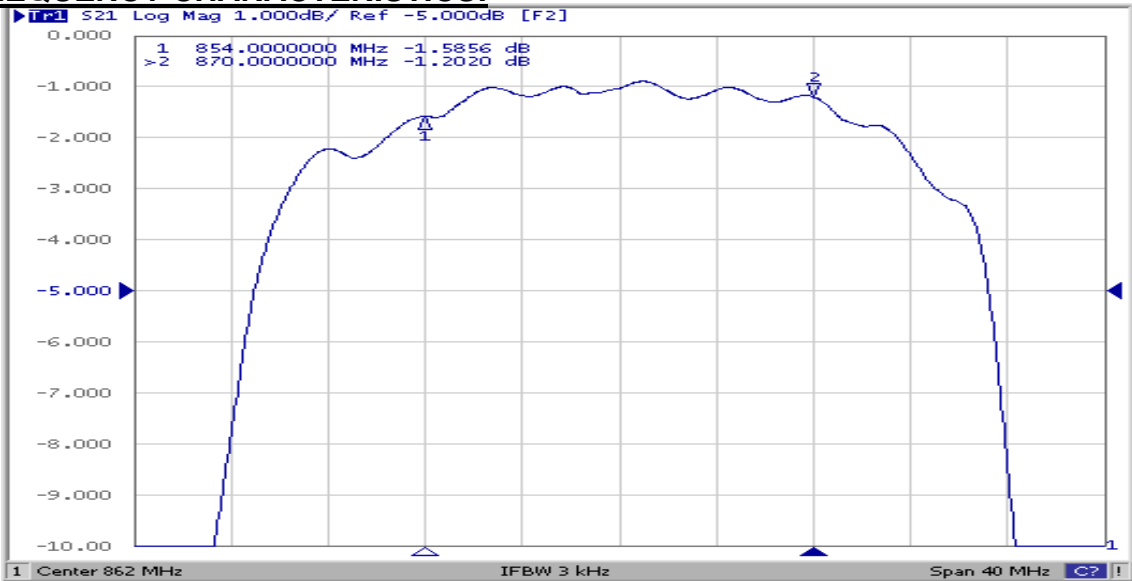
**E. PCB FOOTPRINT:**



**SAW Filter 862.0MHz**  
**Part No: MP04866**

**Ref No: TA1285A**  
**Rev No: 1**

**F. FREQUENCY CHARACTERISTICS:**

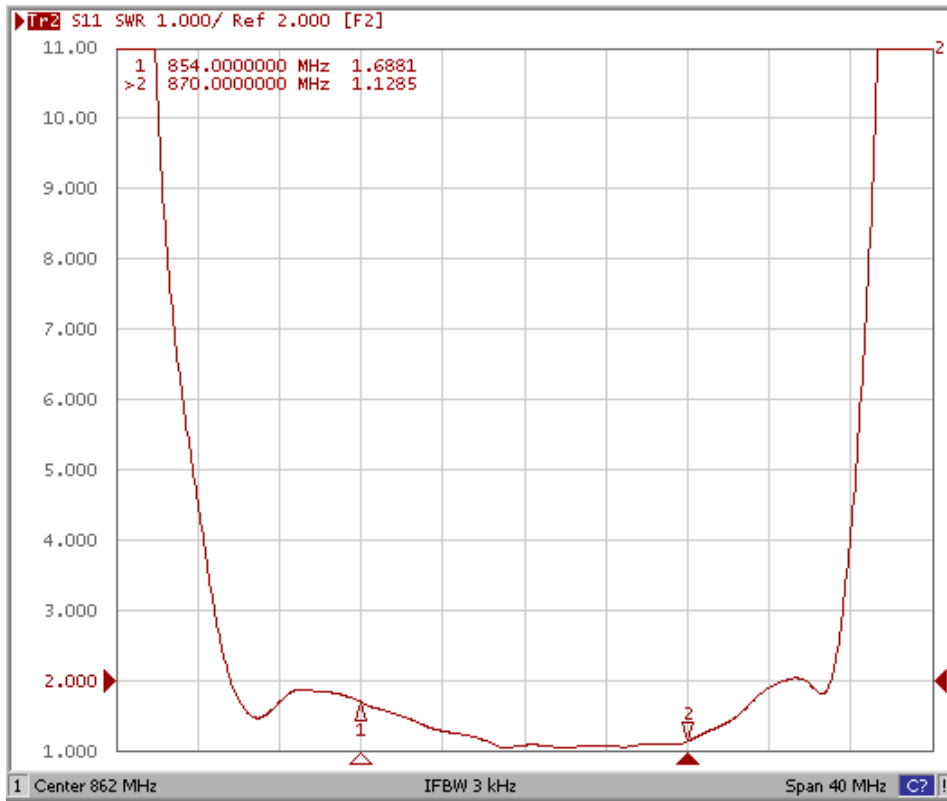


**SAW Filter 862.0MHz**  
**Part No: MP04866**

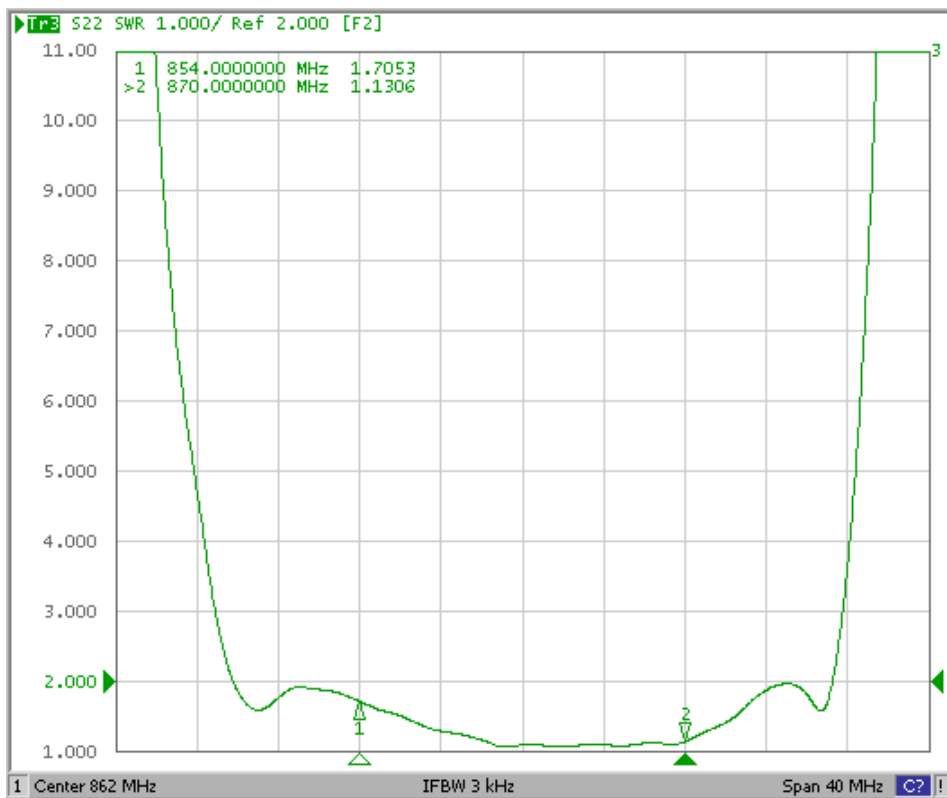
**Ref No: TA1285A**  
**Rev No: 1**

Reflection Functions

S11



S22

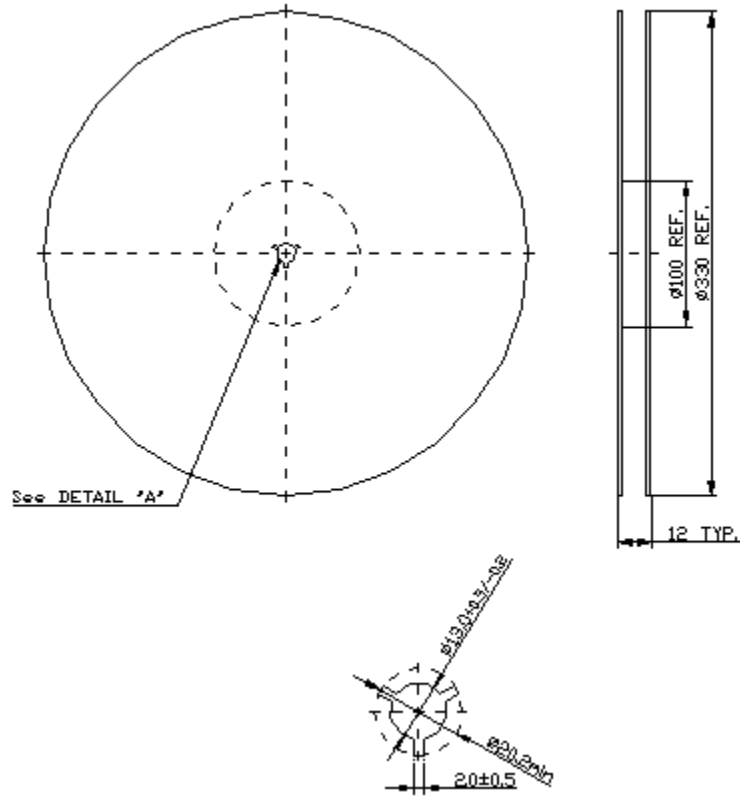


**SAW Filter 862.0MHz**  
**Part No: MP04866**

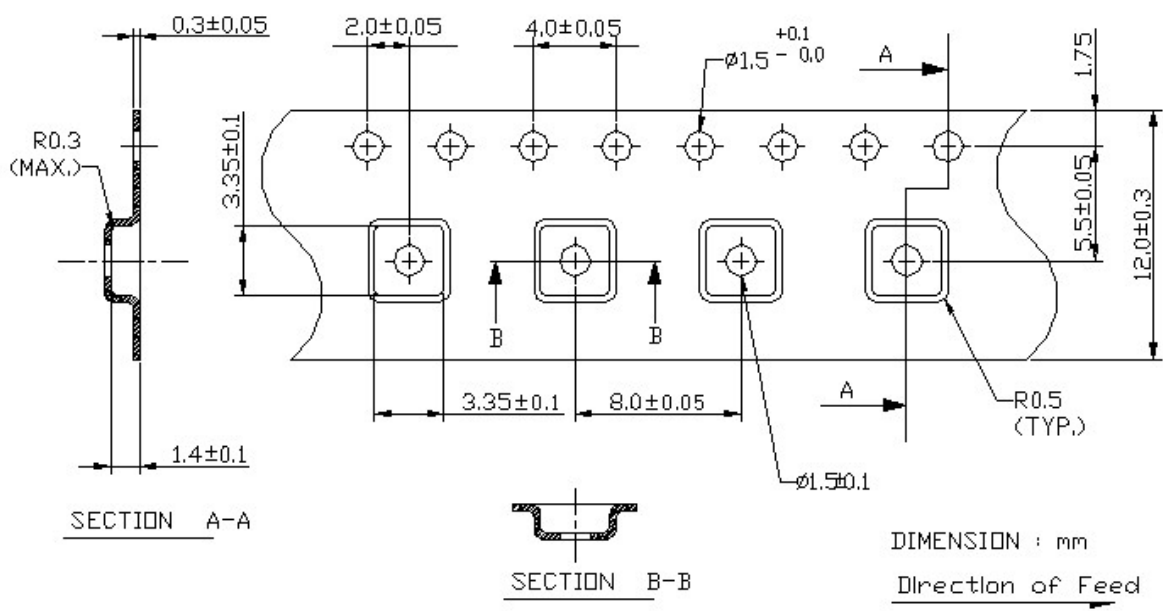
**Ref No: TA1285A**  
**Rev No: 1**

**G. PACKING:**

1. Reel Dimension



2. Tape Dimension



**SAW Filter 862.0MHz**  
**Part No: MP04866**

**Ref No: TA1285A**  
**Rev No: 1**

**H. RECOMMENDED REFLOW PROFILE:**

