

**SAW Duplexer 1575.420 /2332.50MHz**  
**Part No: MP06679**

**Model: TF0102A**  
**Rev. No: 1**

**A. MAXIMUM RATING:**

**Electrostatic Sensitive Device (ESD)**

1. Input Power Level: 10dBm
2. DC voltage: 6V
3. Operating Temperature: -40°C to +95°C
4. Storage Temperature: -40°C to +95°C

**B. ELECTRICAL CHARACTERISTICS:**

**(GPS\_1575.420MHz)**

Item	Unit	Min.	Typ.	Max.
Center frequency Fc	MHz	-	1575.42	-
Insertion Loss (1574 ~ 1577MHz) IL	dB	-	2.8	3.2
Amplitude Ripple (1574 ~ 1577MHz)	dB	-	0.1	1.2
VSWR (1574 ~ 1577MHz)	-	-	1.7	2.2
Attenuation (Reference level from 0 dB)				
10 ~ 1500MHz	dB	30	36	-
1500 ~ 1525MHz	dB	20	33	-
1610 ~ 1625MHz	dB	20	50	-
1625 ~ 2000MHz	dB	35	39	-
2000 ~ 3000MHz	dB	22	29	-

**(SDARS\_2332.50MHz)**

Item	Unit	Min.	Type.	Max.
Center frequency Fc	MHz	-	2332.5	-
Insertion Loss (2320 ~ 2345MHz) IL	dB	-	3.1	3.5
Amplitude Ripple (2320 ~ 2345MHz)	dB	-	0.4	1.4
VSWR (2320 ~ 2345MHz)	-	-	2.2	2.6
Attenuation (Reference level from 0dB)				
10 ~ 2100MHz	dB	20	28	-
2100 ~ 2200MHz	dB	15	27	-
2432 ~ 3000MHz	dB	22	29	-

**(SDARS - GPS)**

Item	Unit	Min.	Type.	Max.
Isolation (1574 ~ 1577MHz)	dB	25	33	-
Isolation (2320 ~ 2345MHz)	dB	25	29	-

---

**SAW Duplexer 1575.420 /2332.50MHz**  
**Part No: MP06679**

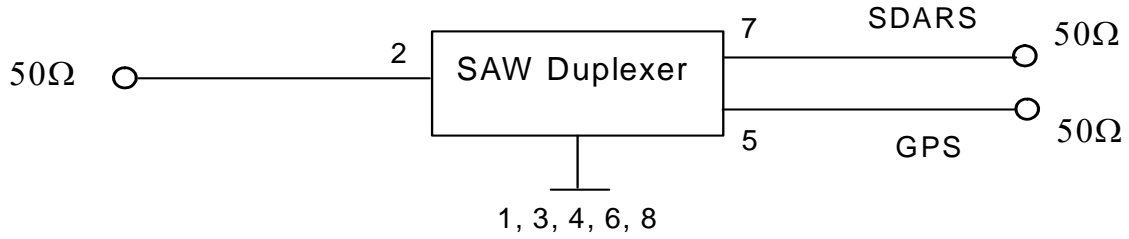
---

**Model: TF0102A**  
**Rev. No: 1**

---

**C. MEASUREMENT CIRCUIT:**

HP Network analyzer

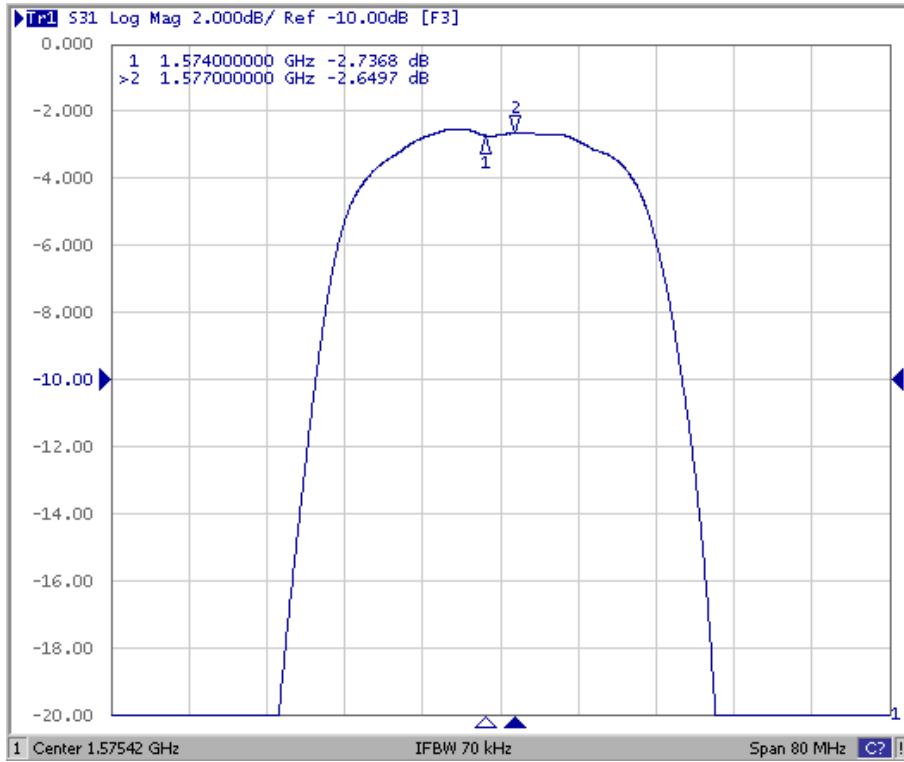


**SAW Duplexer 1575.420 /2332.50MHz**  
**Part No: MP06679**

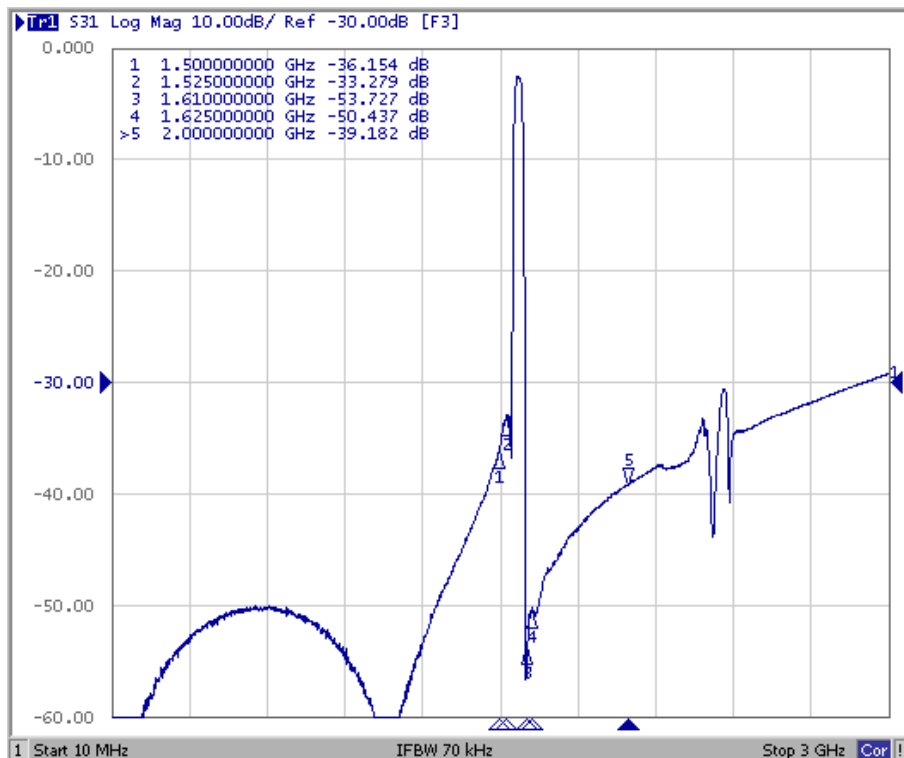
**Model: TF0102A**  
**Rev. No: 1**

**D. FREQUENCY CHARACTERISTICS:**

**GPS Characteristic**



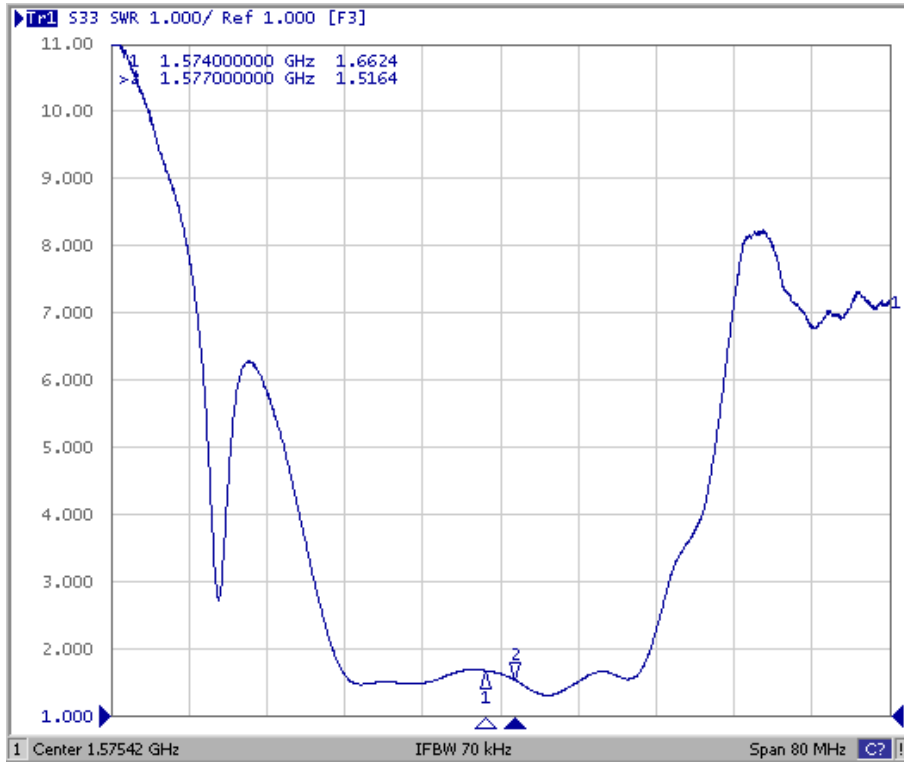
**GPS Characteristic (wideband)**



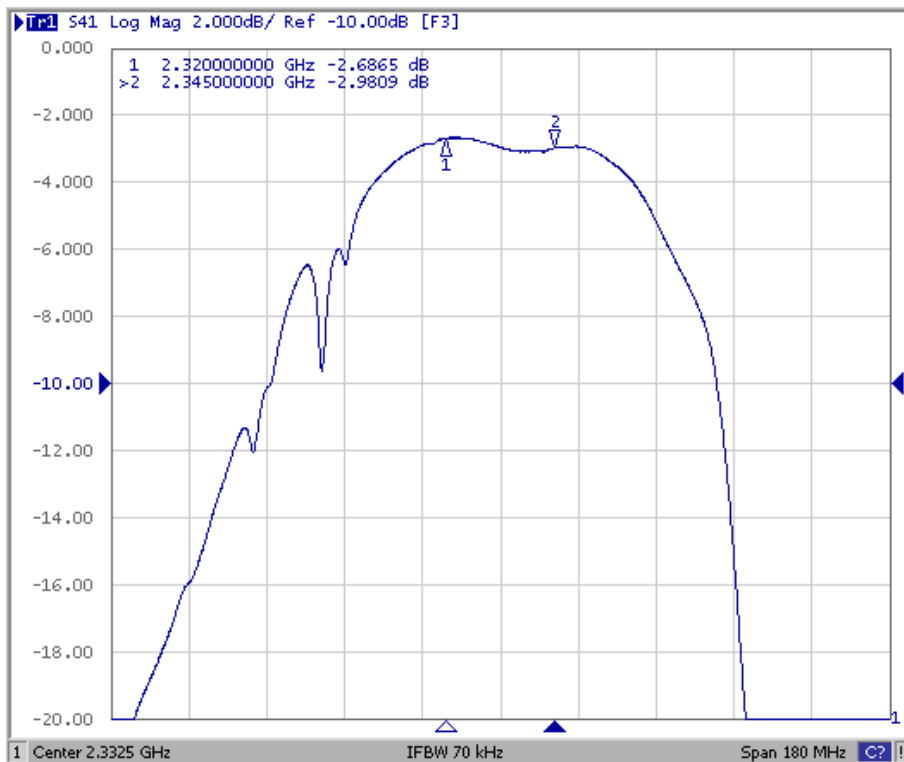
**SAW Duplexer 1575.420 /2332.50MHz**  
**Part No: MP06679**

**Model: TF0102A**  
**Rev. No: 1**

### GPS\_VSWR



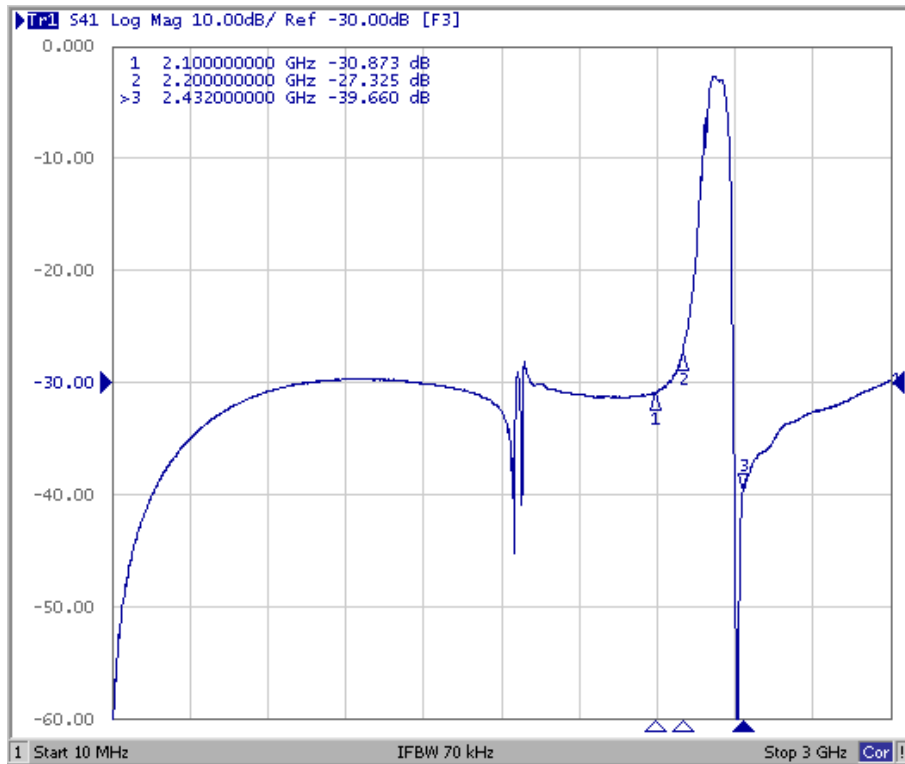
### SDARS Characteristic



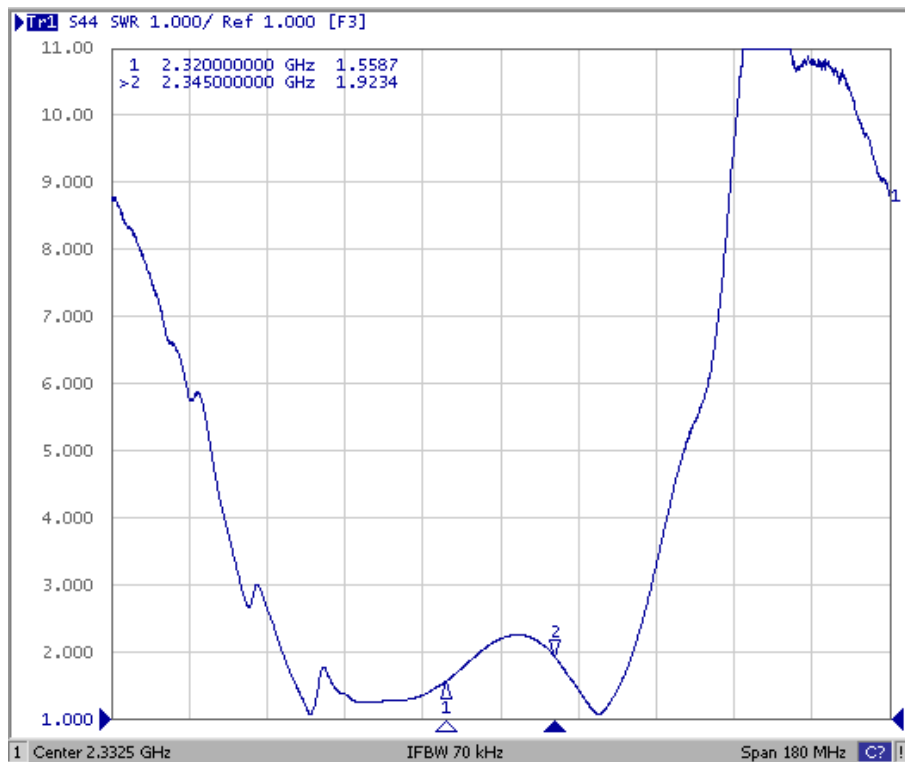
**SAW Duplexer 1575.420 /2332.50MHz**  
**Part No: MP06679**

**Model: TF0102A**  
**Rev. No: 1**

**SDARS Characteristic (wideband)**



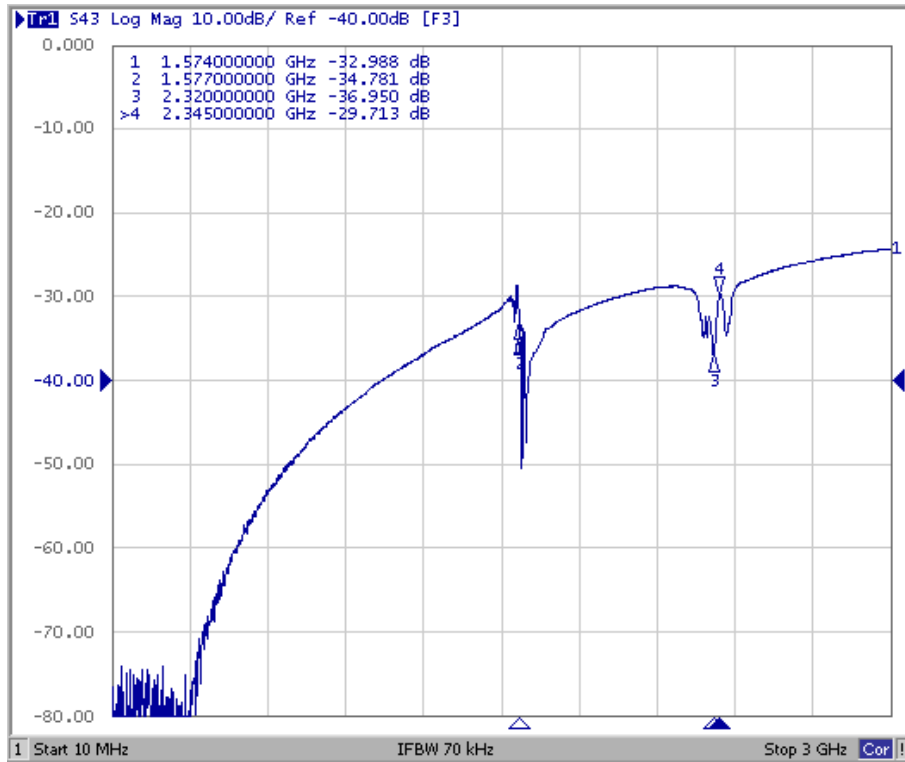
**SDARS\_VSWR**



**SAW Duplexer 1575.420 /2332.50MHz**  
**Part No: MP06679**

**Model: TF0102A**  
**Rev. No: 1**

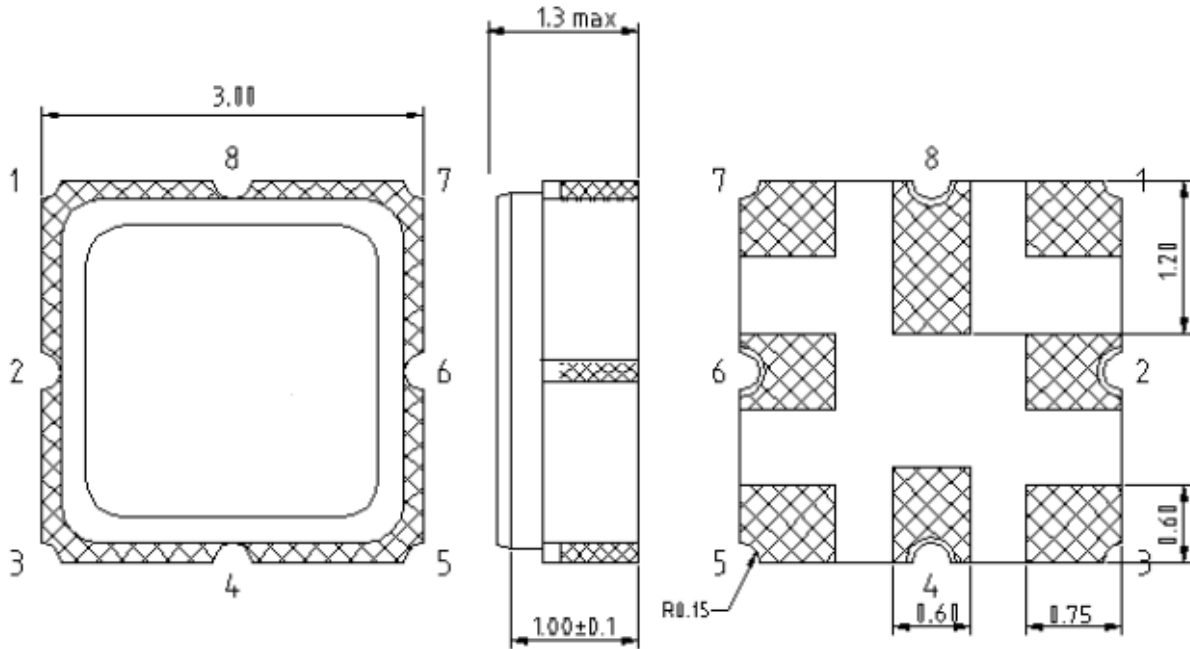
### Isolation Characteristic



**SAW Duplexer 1575.420 /2332.50MHz**  
**Part No: MP06679**

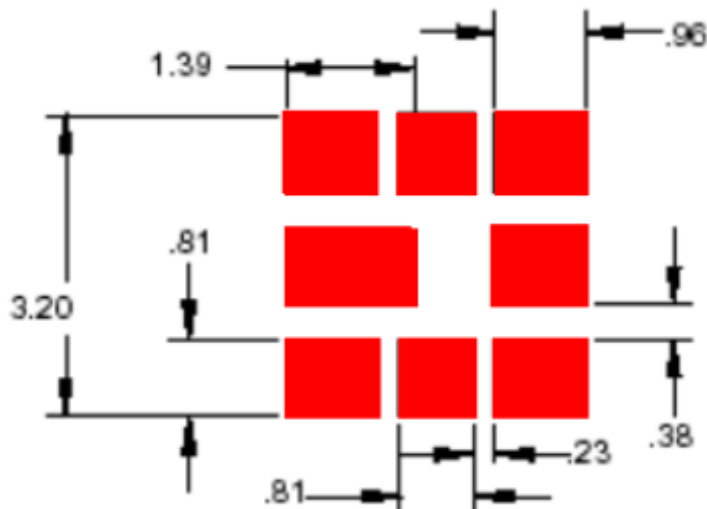
**Model: TF0102A**  
**Rev. No: 1**

**E. OUTLINE DRAWING:**



- 2: Input
  - 5: Output GPS
  - 7: Output SDARS
  - 1, 3, 4, 6, 8: Ground
- Unit: mm

**F. PCB FOOTPRINT:**

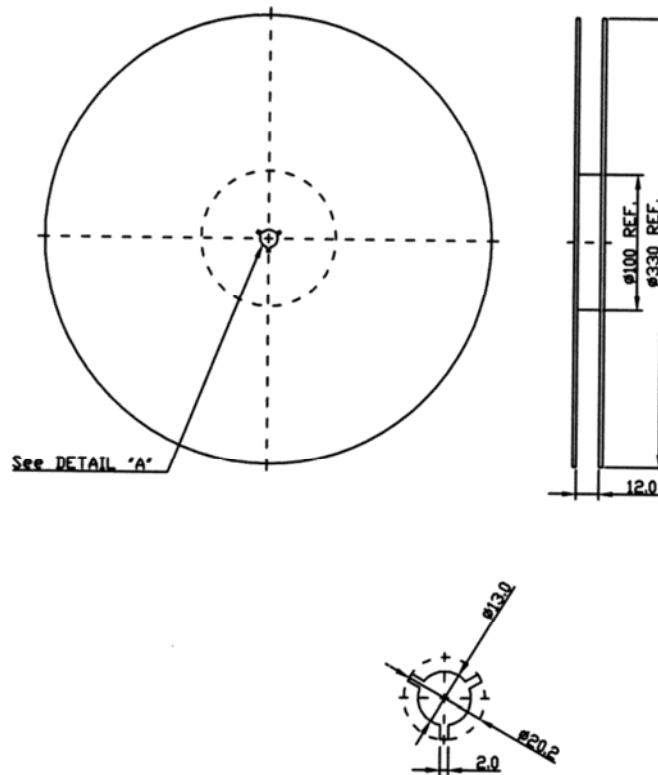


**SAW Duplexer 1575.420 /2332.50MHz**  
**Part No: MP06679**

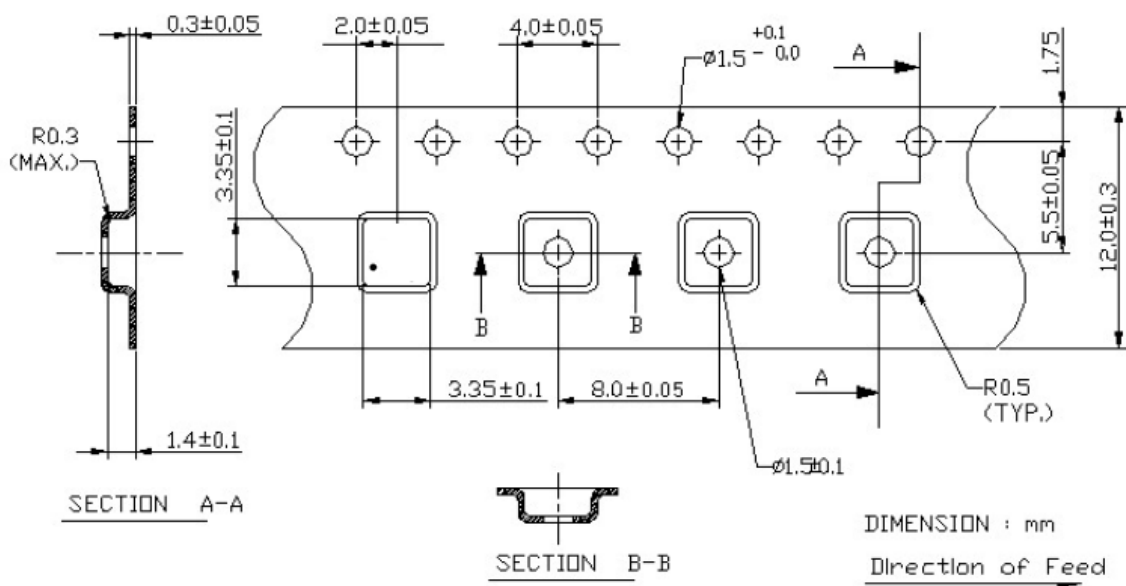
**Model: TF0102A**  
**Rev. No: 1**

**G. PACKING:**

1. Reel Dimension (Please refer to FR-75D10 for packing quantity)



2. Tape Dimension





**SAW Duplexer 1575.420 /2332.50MHz**  
**Part No: MP06679**

**Model: TF0102A**  
**Rev. No: 1**

**H. RECOMMENDED REFLOW PROFILE:**

1. Preheating shall be fixed at 150~180°C for 60 ~ 90 seconds.
2. Ascending time to preheating temperature 150°C shall be 30 seconds min.
3. Heating shall be fixed at 220°C for 50 ~ 80 seconds and at 245 ~ 260°C peak (min. 10 sec).
4. Time: 2 times.

