

SAW Filter 650.0MHz

Model: TB1224A

Part No: MP08063

Rev No: 1

A. MAXIMUM RATING:

Electrostatic Sensitive Device

1. Operating temperature range: -40°C to 85°C
2. Storage temperature range: -40°C to 85°C
3. Input Power Level: 10dBm
4. Maximum DC Voltage: 10V

B. ELECTRICAL CHARACTERISTICS:

Temperature range for specification: T = 25°C

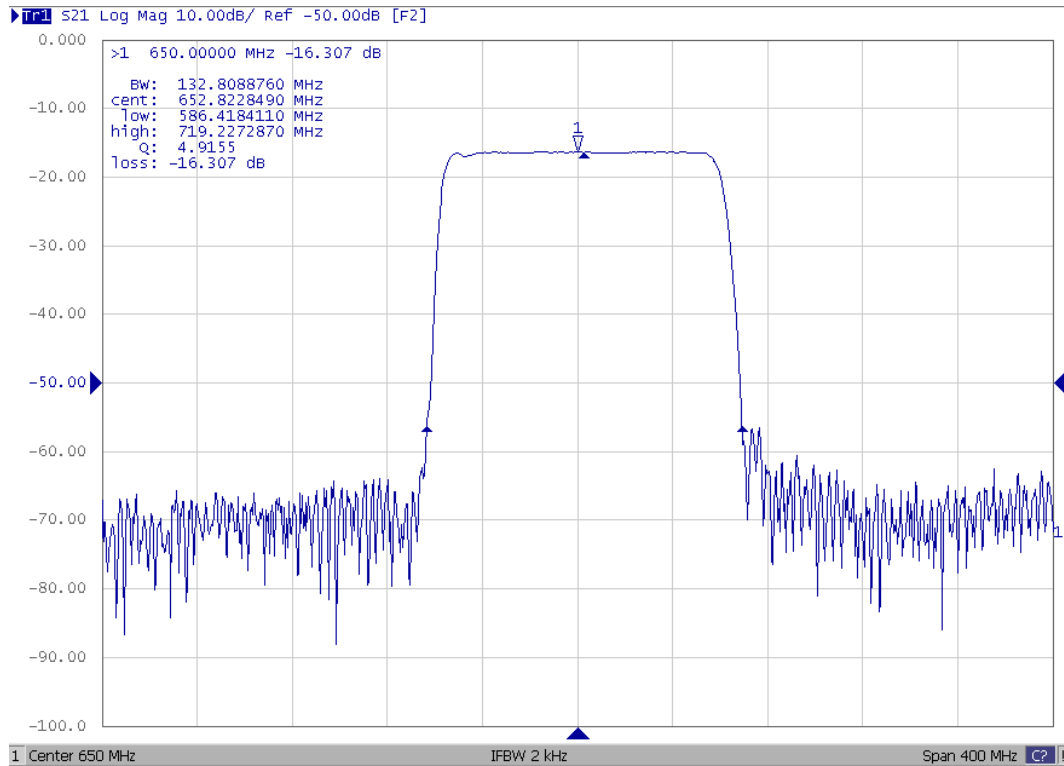
Item	Unit	Min.	Typ.	Max.
Center frequency, Fc	MHz	-	650	-
Insertion Loss, IL	dB	-	16.5	20.0
-1dB bandwidth	MHz	-	110	-
Passband Ripple Fc ±50MHz	dB	-	0.7	1.2
Attenuation:(Reference level from typical IL)				
10MHz ~ 575MHz	dB	35	45	-
735MHz ~ 800MHz	dB	35	45	-
Temperature Coefficient	ppm/°C	-	-94	-
Source Impedance	Ohm	-	50	-
Load Impedance	Ohm	-	50	-

SAW Filter 650.0MHz
Part No: MP08063

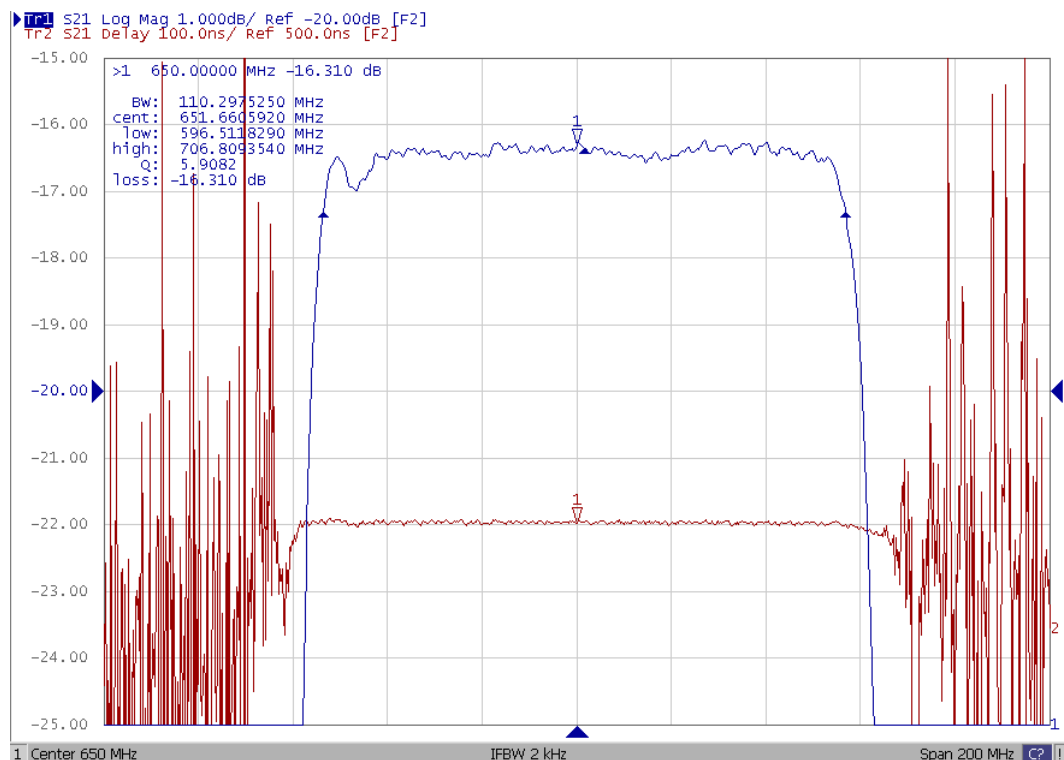
Model: TB1224A
Rev No: 1

C. FREQUENCY CHARACTERISTICS:

1. Wide Band Response:



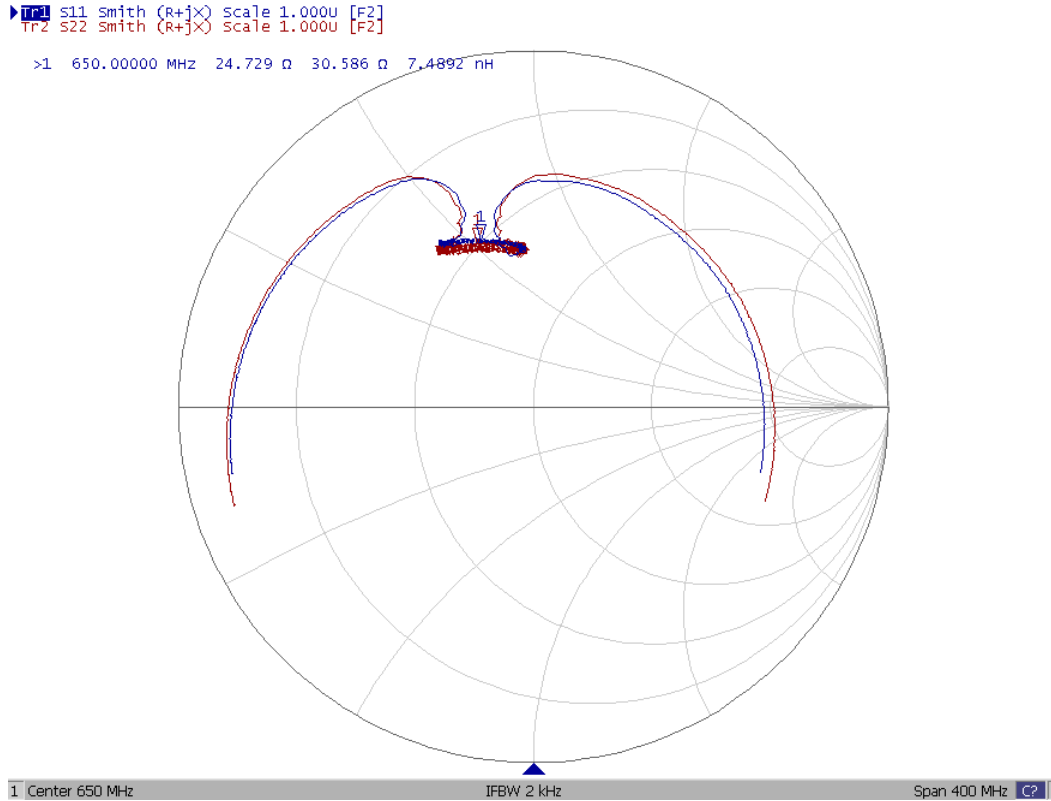
2. Pass Band Response and Group Delay Response:



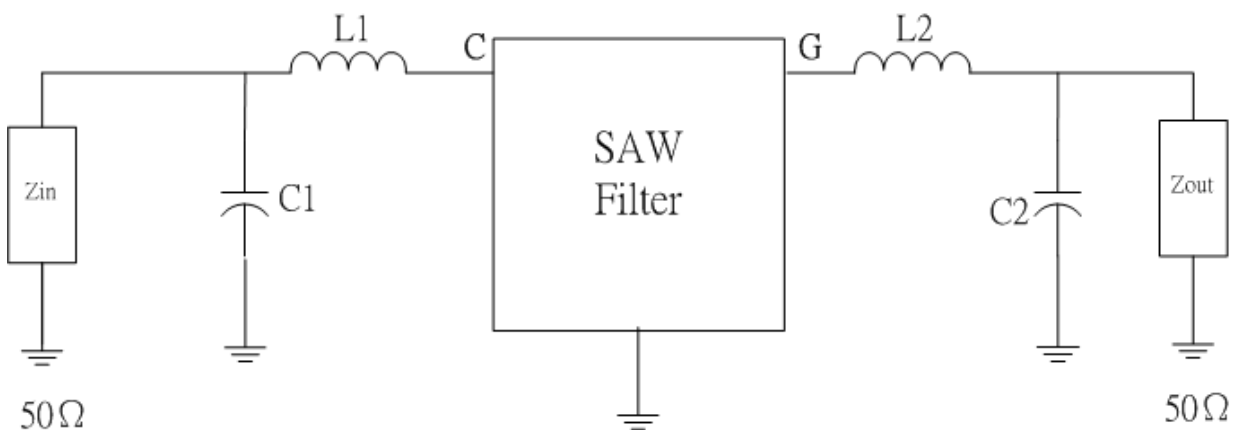
SAW Filter 650.0MHz
Part No: MP08063

Model: TB1224A
Rev No: 1

3. Smith Chart:



D. MATCHING CIRCUIT:

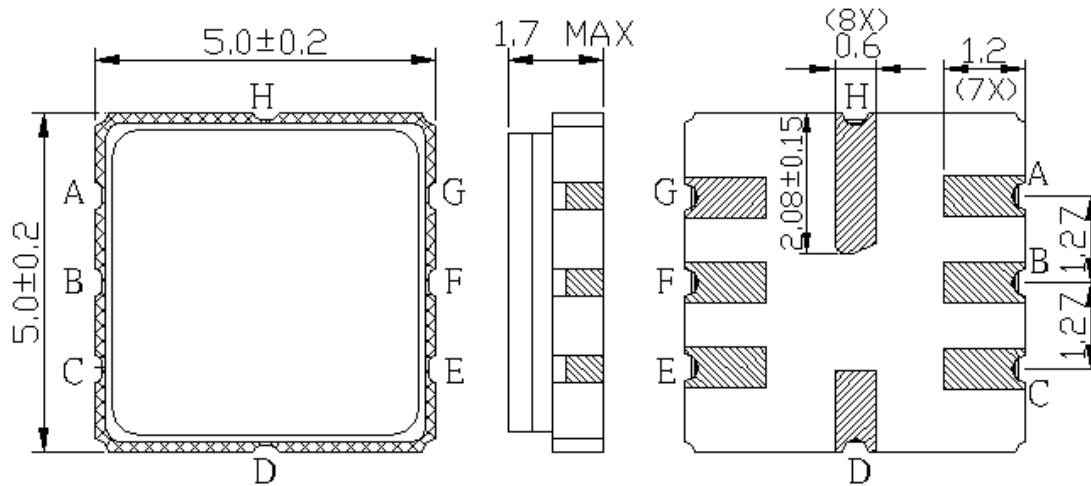


$L1 = 6.8\text{nH}, L2 = 8\text{nH}, C1 = 3\text{pF}, C2 = 2.7\text{pF}$

SAW Filter 650.0MHz
Part No: MP08063

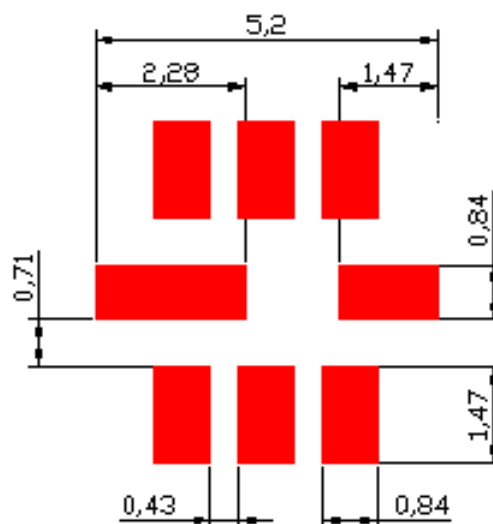
Model: TB1224A
Rev No: 1

E. OUTLINE DRAWING:



- C: Input
 - B: Input Ground
 - G: Output
 - F: Output Ground
 - A, D, E, H: Ground
- Unit: mm

F. PCB FOOTPRINT:

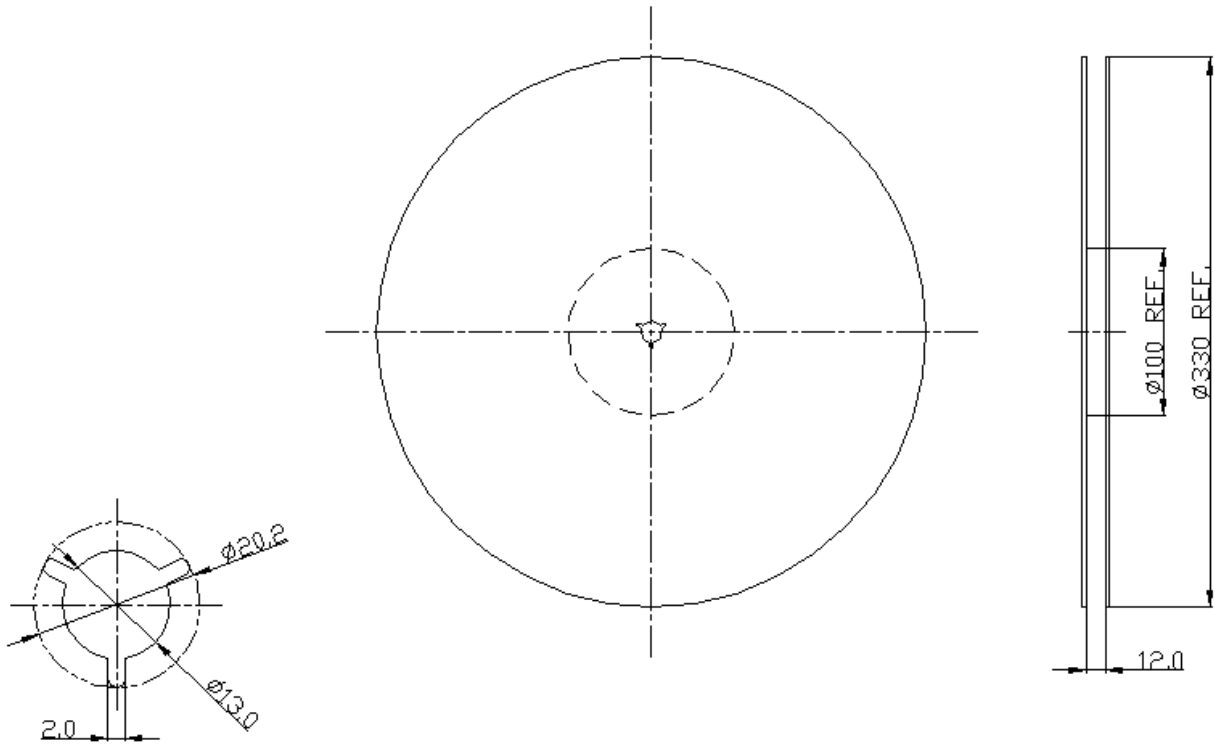


SAW Filter 650.0MHz
Part No: MP08063

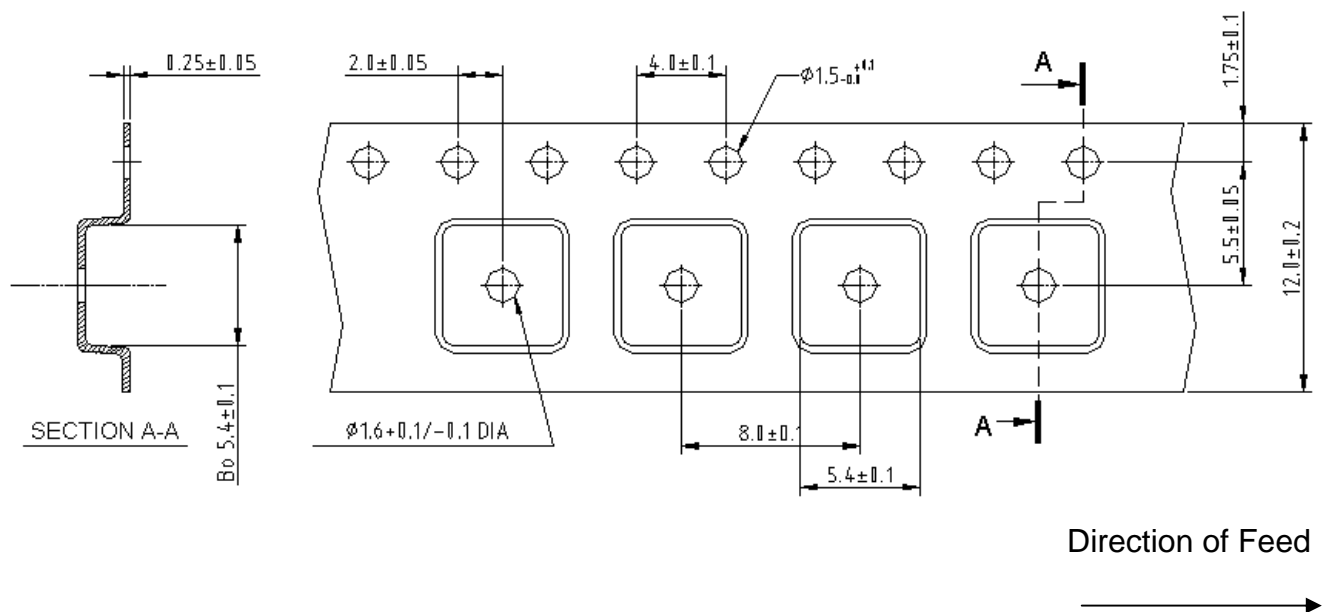
Model: TB1224A
Rev No: 1

G. PACKING:

1. Reel Dimension (Please refer to FR-75D10 for packing quantity)



2. Tape Dimension



SAW Filter 650.0MHz
Part No: MP08063

Model: TB1224A
Rev No: 1

H. RECOMMENDED REFLOW PROFILE:

1. Preheating shall be fixed at 150 ~ 180°C for 60 ~ 90 seconds.
2. Ascending time to preheating temperature 150°C shall be 30 seconds min.
3. Heating shall be fixed at 220°C for 50 ~ 80 seconds and at 260°C +0/-5°C peak (20 ~ 40 sec).
4. Time: 2 times.

