

SAW Filter 114.80MHz
Part No: MP07555

Model: TB1164A
Rev No: 1

A. MAXIMUM RATING:

Electrostatic Sensitive Device

1. Operating temperature range: -40°C to 85°C
2. Storage temperature range: -40°C to 85°C
3. Input Power Level: 10 dBm
4. Maximum DC Voltage: 10V

B. CHARACTERISTICS:

| Item | Unit | Min. | Typ. | Max. |
|---|--------|-------|-------|-------|
| Center frequency Fc | MHz | - | 114.8 | - |
| Insertion Loss IL | dB | - | 9.6 | 14.0 |
| Lower -1dB frequency | MHz | 108.3 | 107.3 | - |
| Upper -1dB frequency | MHz | - | 122.1 | 121.3 |
| Upper -40dB frequency | MHz | - | 125.2 | 138 |
| Lower -40dB frequency | MHz | 88 | 104.8 | - |
| Passband Ripple Fc ± 5MHz | dB | - | 0.4 | 1.0 |
| Absolute group Delay | us | 0.78 | 0.83 | 0.84 |
| Group Delay variation Fc ± 5MHz | ns | - | 42 | - |
| Attenuation (Reference level from minimum Insertion loss) | | | | |
| 1MHz ~ 86MHz | dB | 40 | 60 | - |
| 140MHz ~ 160MHz | dB | 35 | 48 | - |
| Temperature Coefficient | ppm/°C | - | -94 | - |
| Source Impedance | Ohm | - | 50 | - |
| Load Impedance | Ohm | - | 50 | - |

SAW Filter 114.80MHz
Part No: MP07555

Model: TB1164A
Rev No: 1

C. FREQUENCY CHARACTERISTICS:

1. Wide band Response:

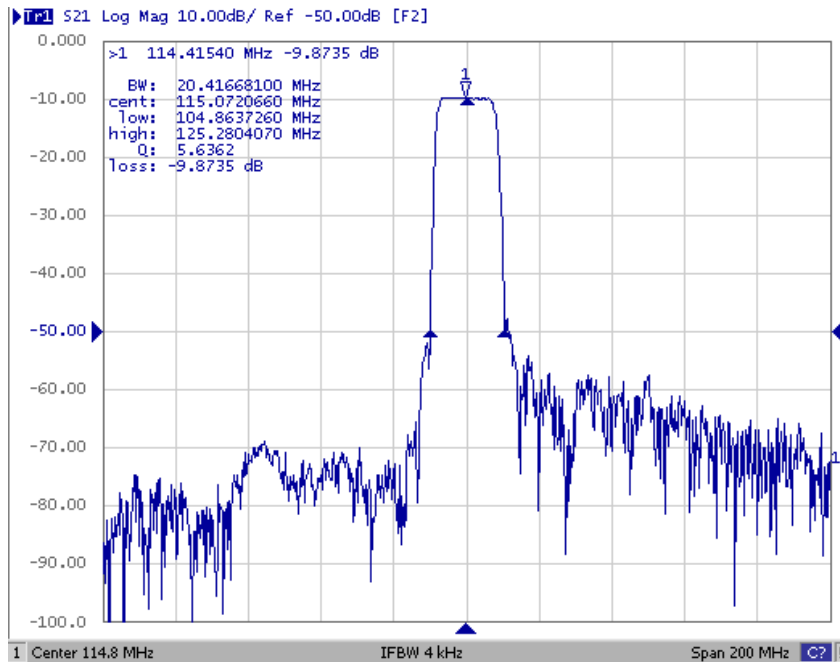


Fig. 1. Horizontal: 20MHz / Div, Vertical: 10Db / Div

2. Pass band Response and Group Delay Response:

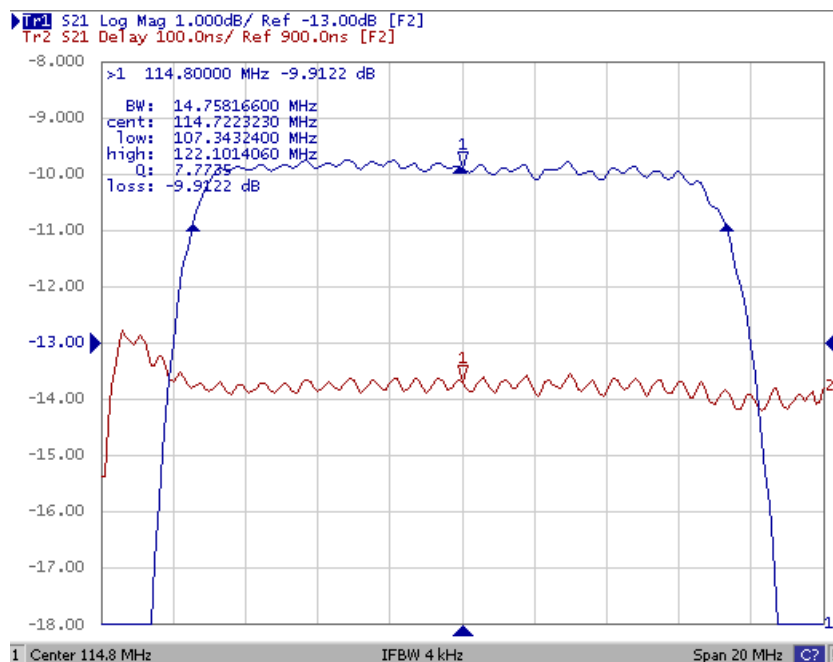
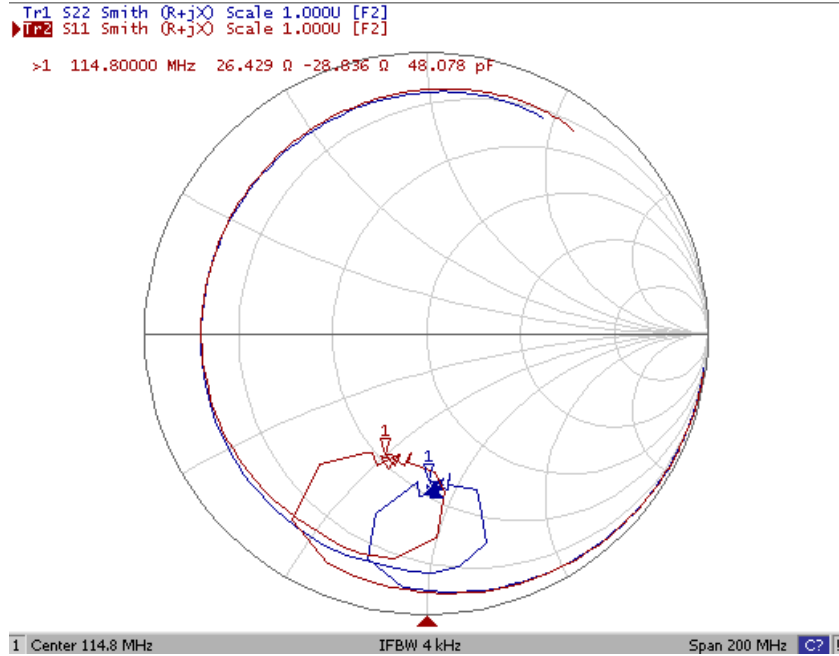


Fig. 2. Horizontal: 2MHz / Div, Vertical: 1dB / Div, Vertical: 100ns / Div

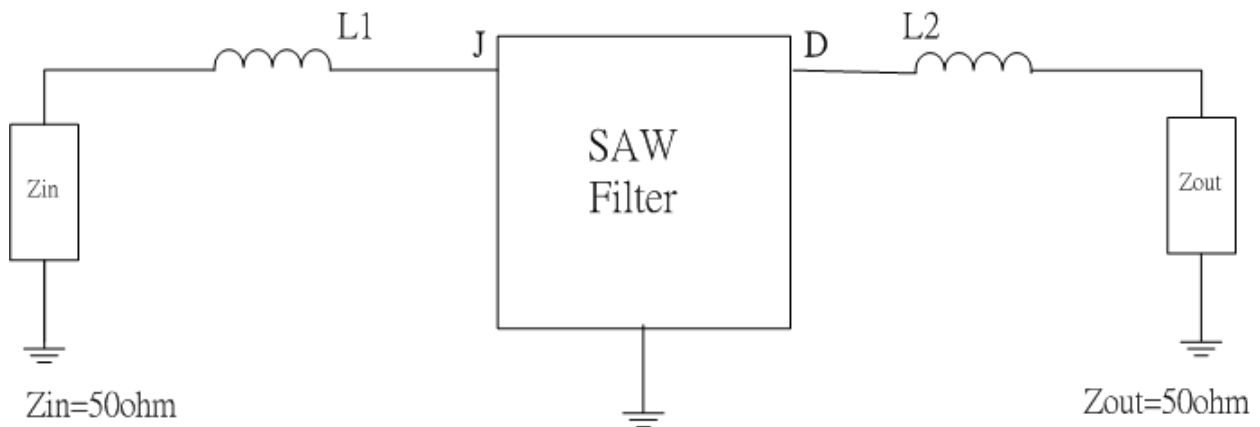
SAW Filter 114.80MHz
Part No: MP07555

Model: TB1164A
Rev No: 1

3. Smith Chart:



D. MATCHING CIRCUIT:

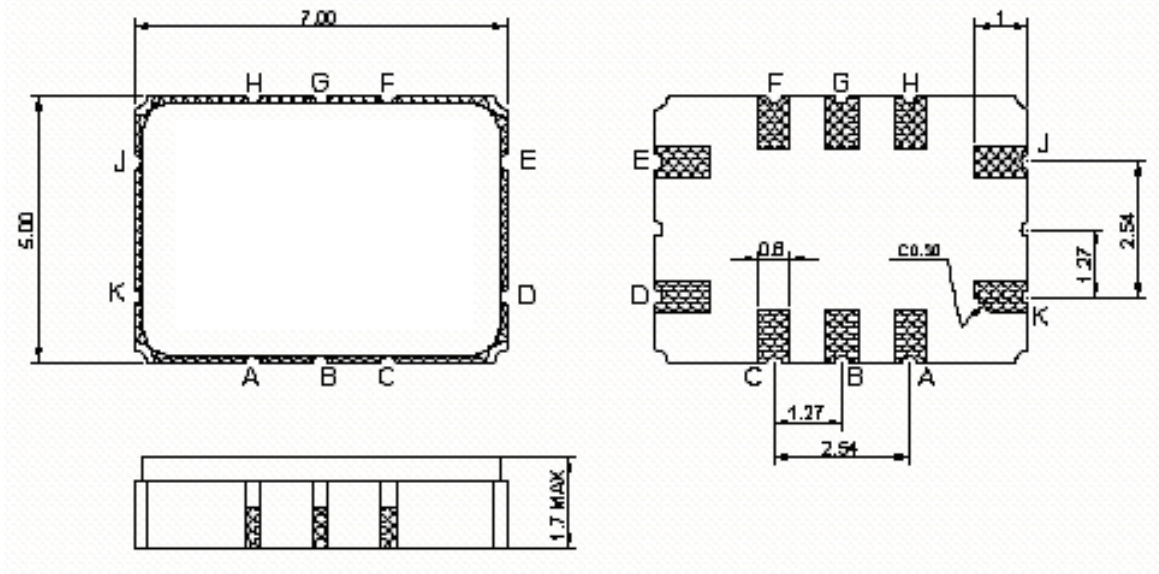


$L1 = 82\text{nH}$, $L2 = 100\text{nH}$

SAW Filter 114.80MHz
Part No: MP07555

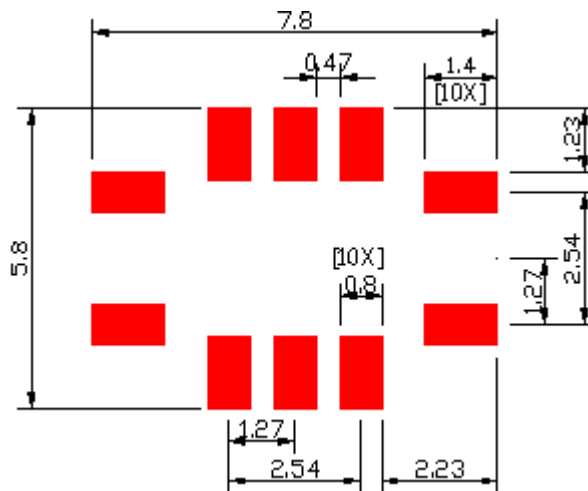
Model: TB1164A
Rev No: 1

E. OUTLINE DRAWING:



- J: RF input
 - K: RF input ground
 - D: RF output
 - E: RF output ground
 - A, B, C, F, G, H: Ground
- Unit: mm

F. PCB FOOTPRINT:

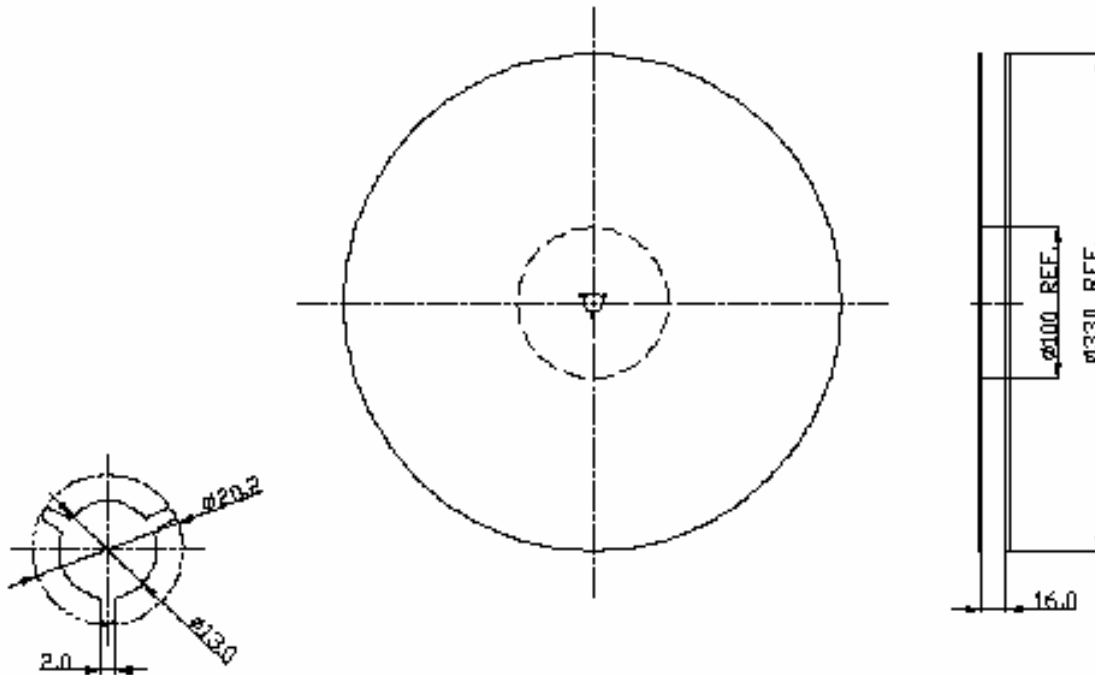


SAW Filter 114.80MHz
Part No: MP07555

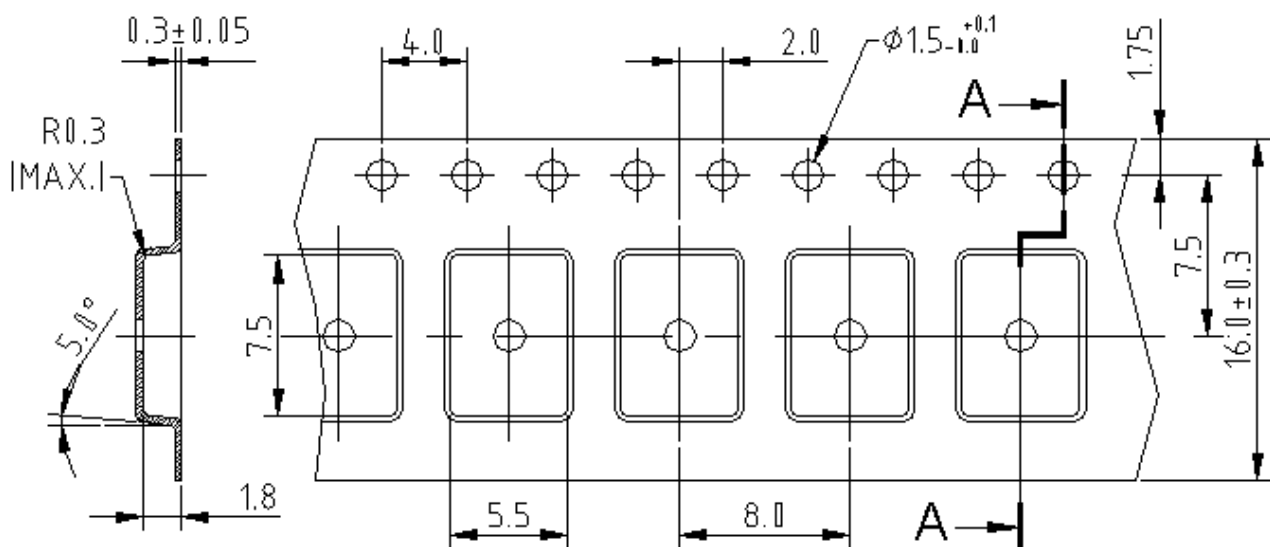
Model: TB1164A
Rev No: 1

G. PACKING:

1. Reel Dimension (Please refer to FR-75D10 for packing quantity)



2. Tape Dimension



SAW Filter 114.80MHz
Part No: MP07555

Model: TB1164A
Rev No: 1

H. RECOMMENDED REFLOW PROFILE:

