

**SAW Filter 70.0MHz**  
**Part No: MP06316**

**Model: TB0214B**  
**Rev No: 1**

**A. MAXIMUM RATING:**

Electrostatic Sensitive Device

1. Input Power Level: +20dBm
2. Operating Temperature: -40°C to +85°C
3. Storage Temperature: -40°C to +85°C

**B. ELECTRICAL CHARACTERISTICS:**

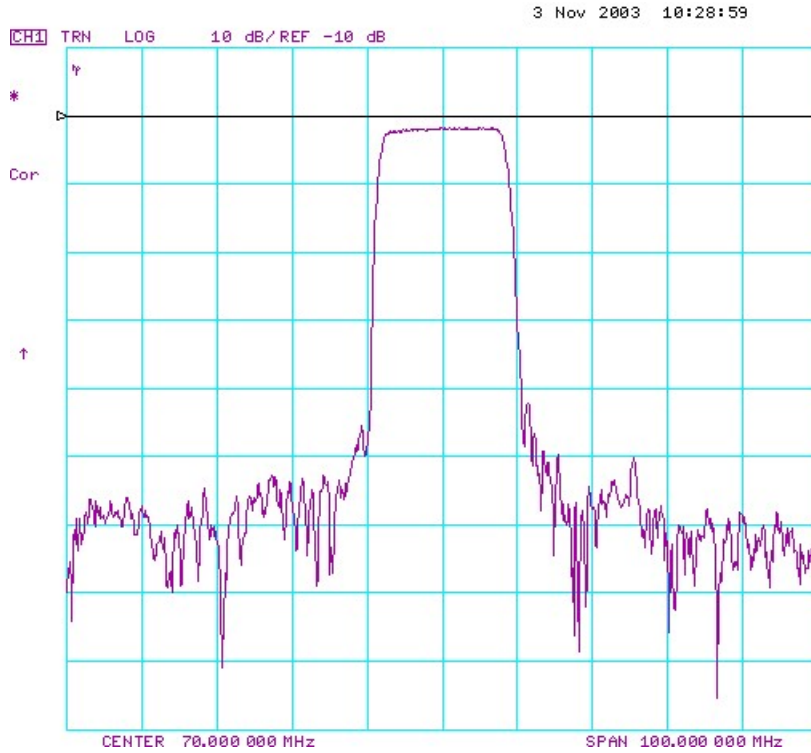
Item	Unit	Min.	Typ.	Max.
Center frequency Fc	MHz	-	70	-
Insertion Loss IL	dB	-	12.2	14.0
3 dB Bandwidth	MHz	16.0	16.42	-
Amplitude Ripple within Fc ± 7MHz	dB	-	0.5	1.5
Group Delay Ripple within Fc ± 7MHz	nsec	-	40	80
Absolute Group Delay at Fc	us	-	0.88	-
Relative Attenuation:				
10 to 59.5MHz	dB	40	43	-
82 to 140MHz	dB	40	43	-
Substrate Material	-	-	YZ-LN	-
Temperature Coefficient of frequency	ppm/°C	-	-94	-

**SAW Filter 70.0MHz**  
**Part No: MP06316**

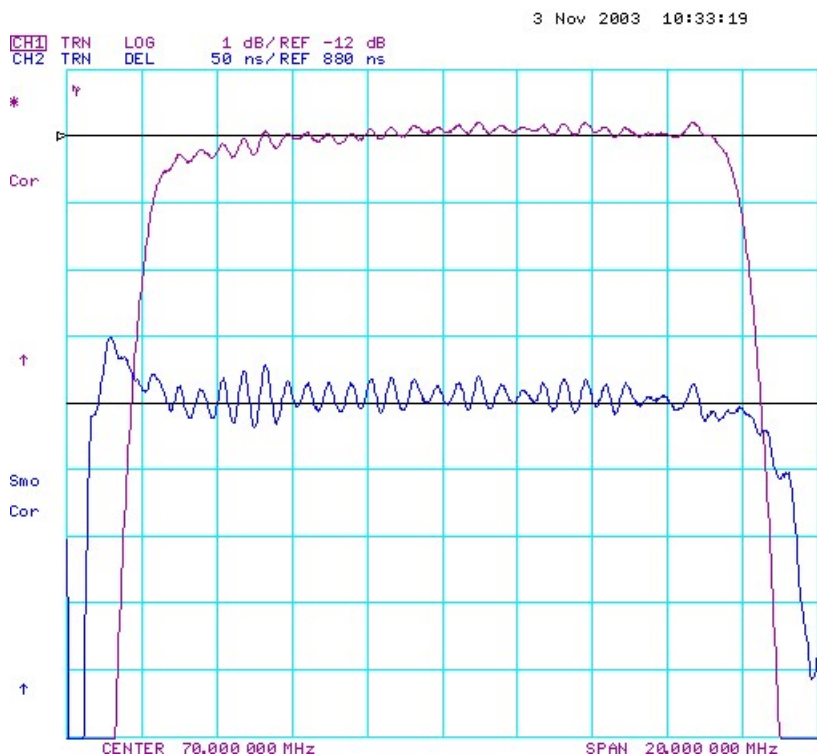
**Model: TB0214B**  
**Rev No: 1**

**C. FREQUENCY CHARACTERISTICS:**

1. Frequency Response



2. Passband response and Group Delay Variation

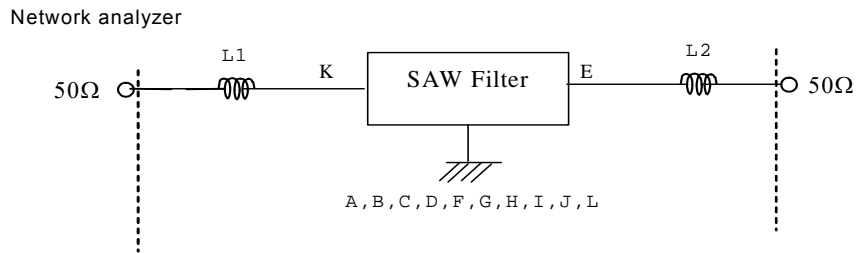


**SAW Filter 70.0MHz**  
**Part No: MP06316**

**Model: TB0214B**  
**Rev No: 1**

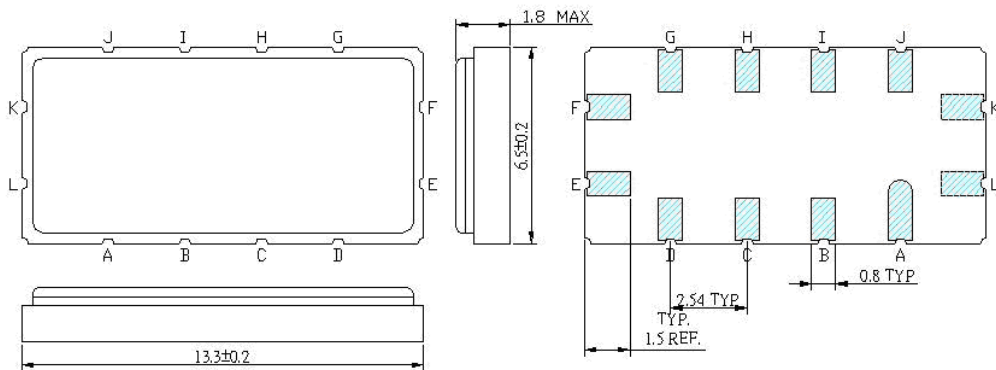
**D. MEASUREMENT CIRCUIT:**

Source and load impedance: 50Ω



Input: L1 = 220nH, Q > 40, Output: L2 = 220 nH, Q > 40

**E. OUTLINE DRAWING:**



A, B, C, D, G, H, I, J: To be Ground

Unit: mm

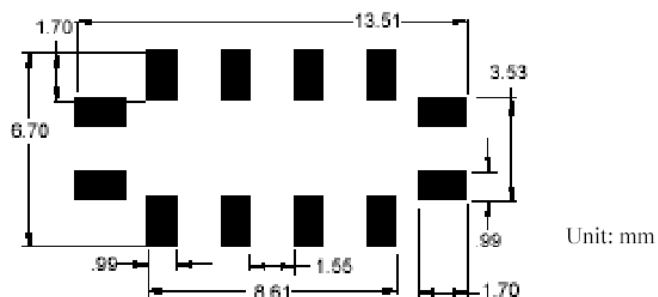
K: RF Input

E: RF Output

L: Input Ground

F: Output Ground

**F. PCB FOOTPRINT:**



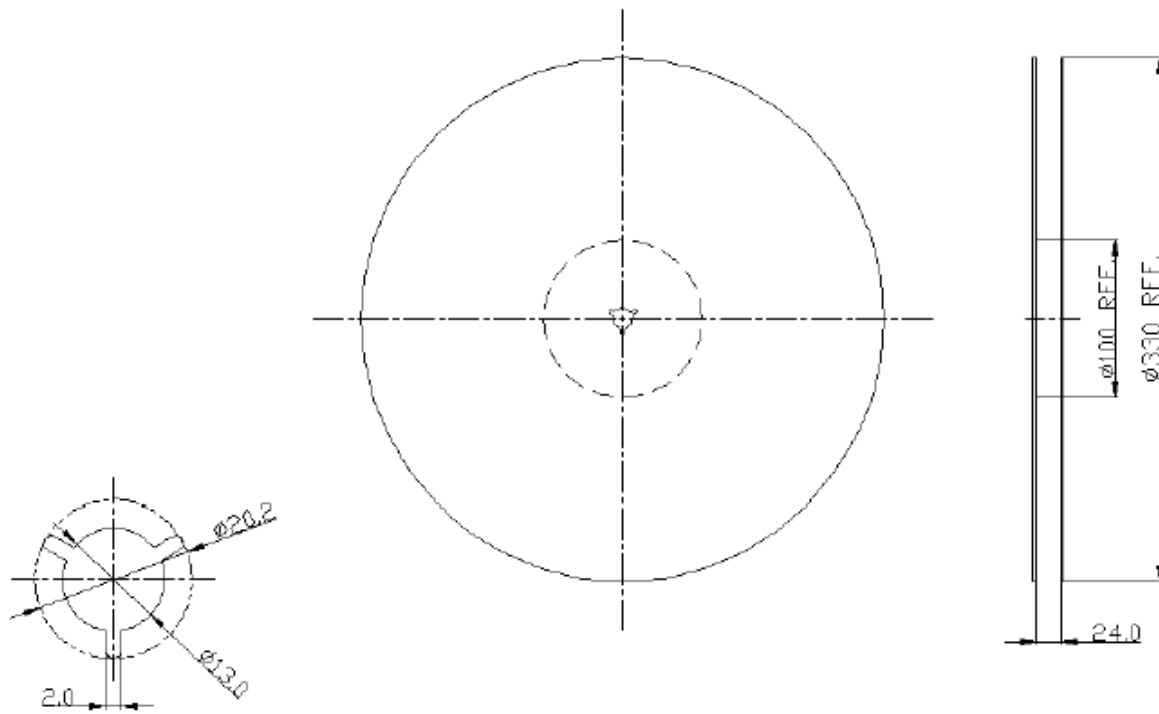
Unit: mm

**SAW Filter 70.0MHz**  
**Part No: MP06316**

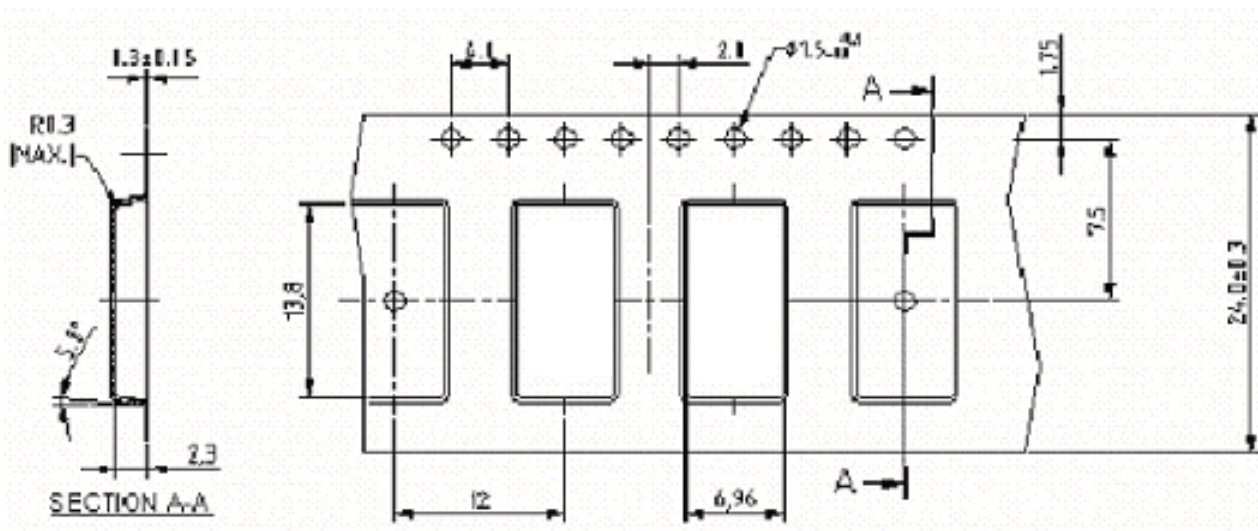
**Model: TB0214B**  
**Rev No: 1**

**G. PACKING:**

1. Reel Dimension (Please refer to FR-75D10 for packing quantity)



2. Tape Dimension



**SAW Filter 70.0MHz**  
**Part No: MP06316**

**Model: TB0214B**  
**Rev No: 1**

**H. RECOMMENDED REFLOW PROFILE:**

