

**SAW Filter 125.0MHz**

**Model: TB0467B**

**Part No: MP08006 (AEC-Q200 compliant)**

**Rev No: 1**

**A. MAXIMUM RATING:**

Electrostatic Sensitive Device (ESD)

1. Operating Temperature: -40°C ~ +85°C
2. Storage Temperature: -40°C ~ +125°C
3. Input Power Level: 10dBm

**B. CHARACTERISTICS:**

Ambient Temperature: 25°C

Characteristics	Min.	Typ.	Max.	Note
Center frequency Fc MHz	-	125	-	-
Maximum Insertion loss IL dB	-	12.5	13.5	-
1dB Bandwidth MHz	-	29.0	-	
3dB Bandwidth MHz	30.0	30.2	-	
40dB Bandwidth MHz	-	34.5	39.0	
Passband Ripple (Fc ± 14MHz) dB	-	0.64	1.2	-
Group Delay Ripple (Fc ± 14MHz) nS	-	15	50	-
Temp Coefficient ppm/C		-86		
Absolute Delay uS		0.88		
Attenuation: (Reference level from minimum insertion loss)				
Ultimate Attenuation dB	40	55	-	-

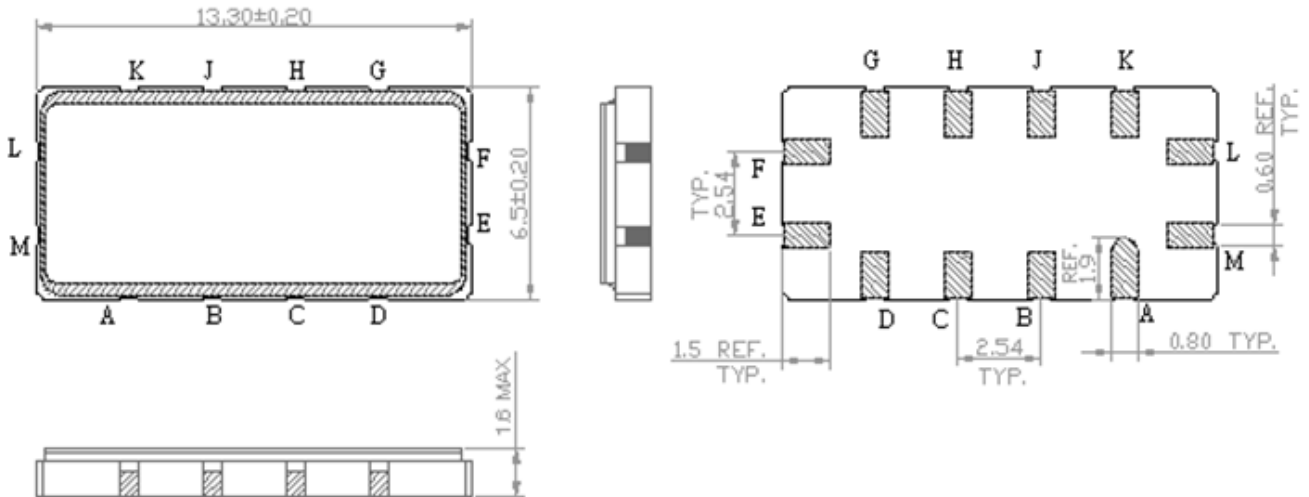
**SAW Filter 125.0MHz**

**Model: TB0467B**

**Part No: MP08006 (AEC-Q200 compliant)**

**Rev No: 1**

**C. OUTLINE DRAWING:**



- L: RF Input
- M: RF Input ground
- E: RF Output
- F: RF Output ground
- A, B, C, D, G, H, I, J: To be ground

**SAW Filter 125.0MHz**  
**Part No: MP08006 (AEC-Q200 compliant)**

**Model: TB0467B**  
**Rev No: 1**

**D. FREQUENCY CHARACTERISTICS:**

1. S21 Response

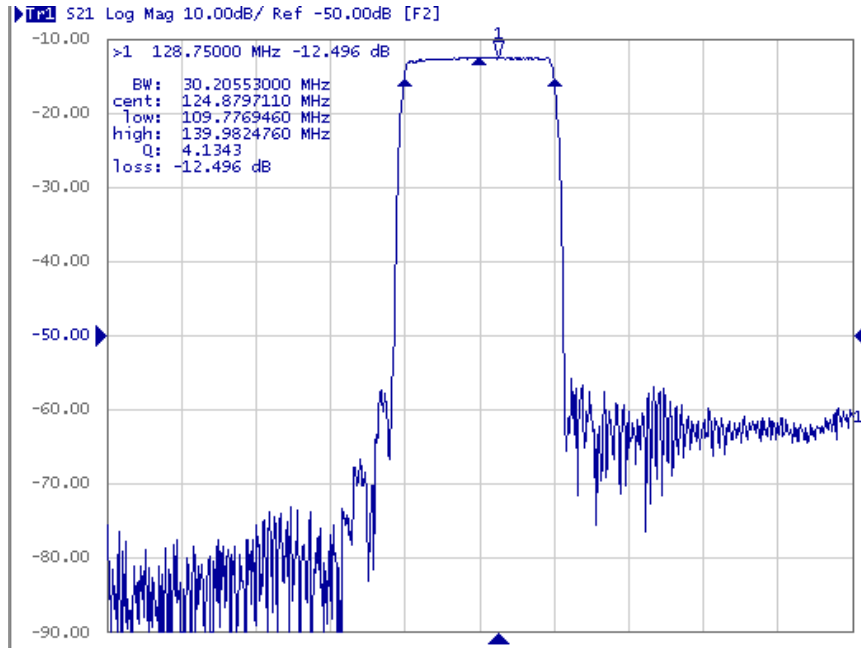


Fig. 1 S21 Response: Horizontal: 15MHz / Div, Vertical: 10dB / Div

2. Pass band Ripple

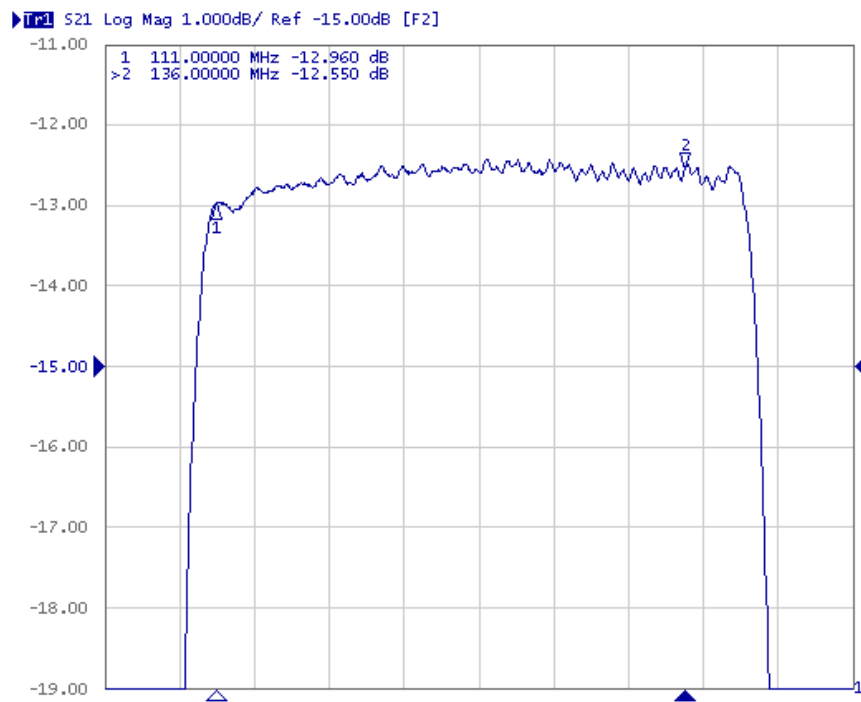


Fig. 2 Inband ripple: Horizontal: 4MHz / Div, Vertical: 1dB / Div

**SAW Filter 125.0MHz**  
**Part No: MP08006 (AEC-Q200 compliant)**

**Model: TB0467B**  
**Rev No: 1**

### 3. S21 Response

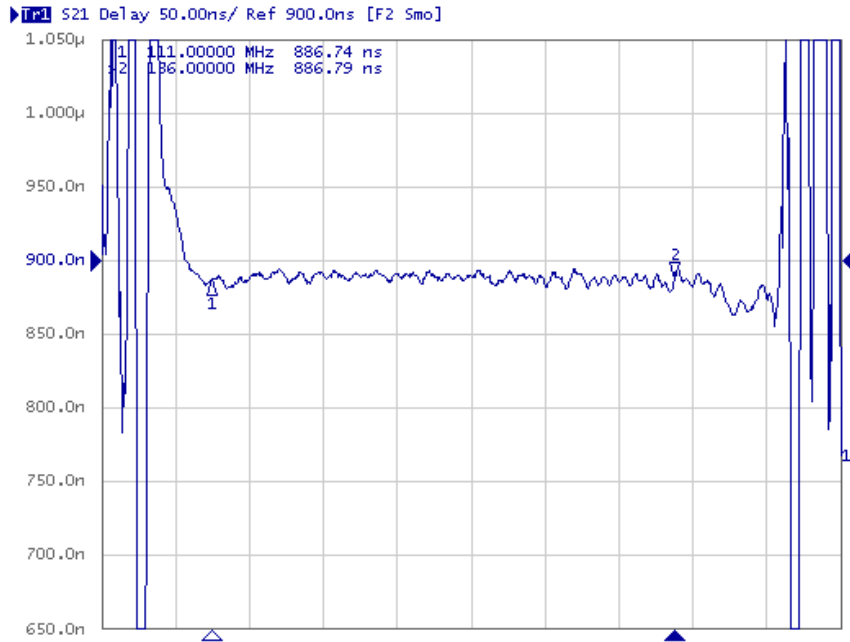


Fig. 3 Group Delay: Horizontal: 4MHz / Div, Vertical: 50nS / Div

### 4. Wide band Response

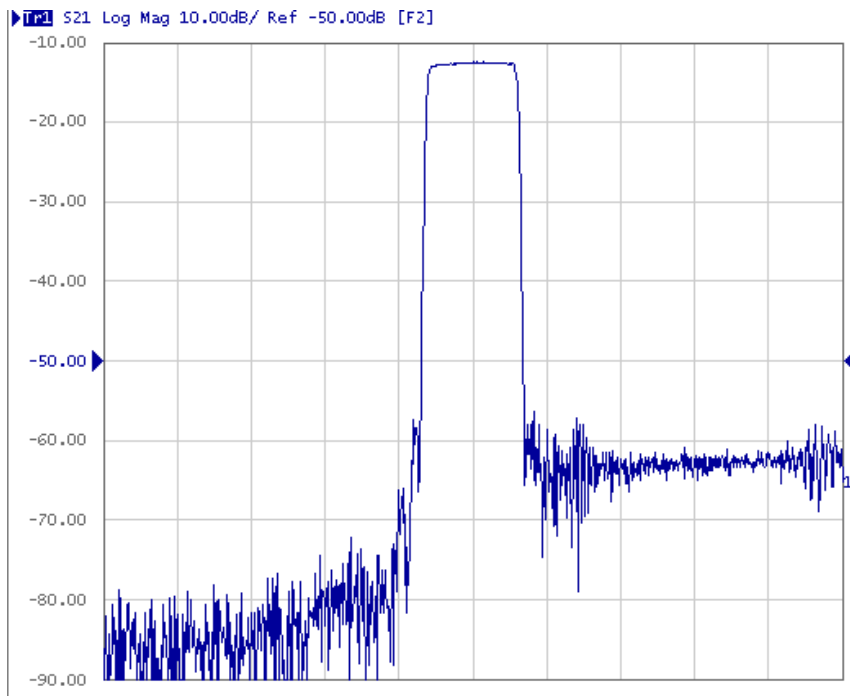
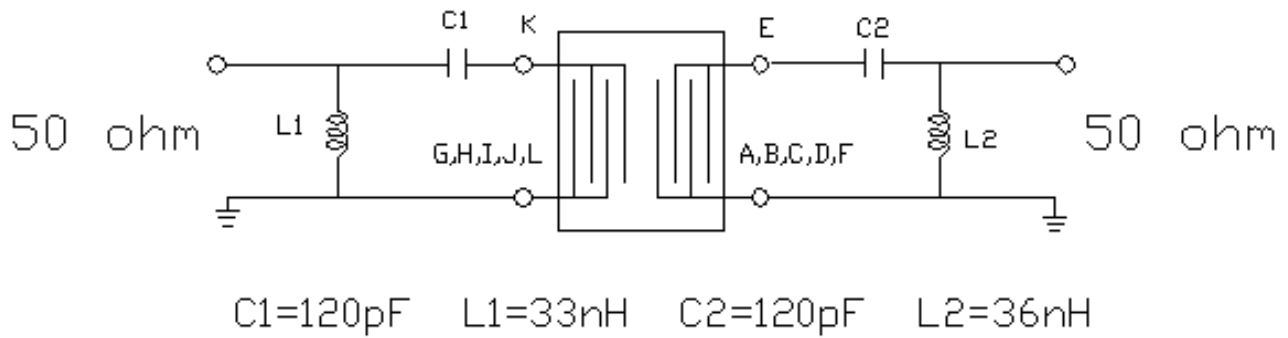


Fig. 4 Wide band: Horizontal: 25MHz / Div, Vertical: 10dB / Div

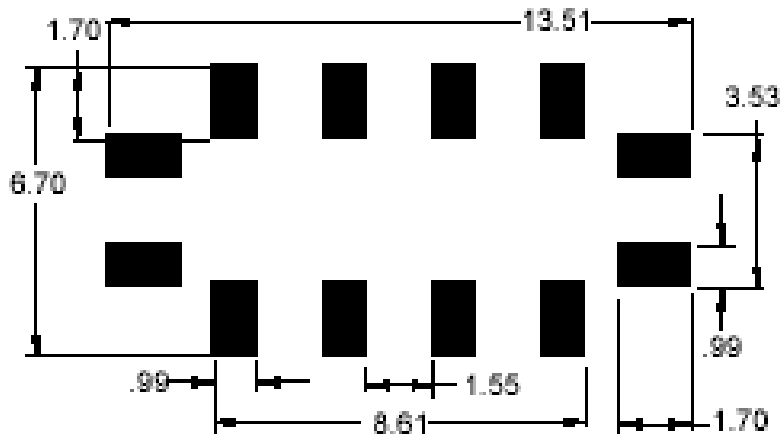
**SAW Filter 125.0MHz**  
**Part No: MP08006 (AEC-Q200 compliant)**

**Model: TB0467B**  
**Rev No: 1**

**E. TEST FIXTURE:**



**F. PCB FOOTPRINT:**

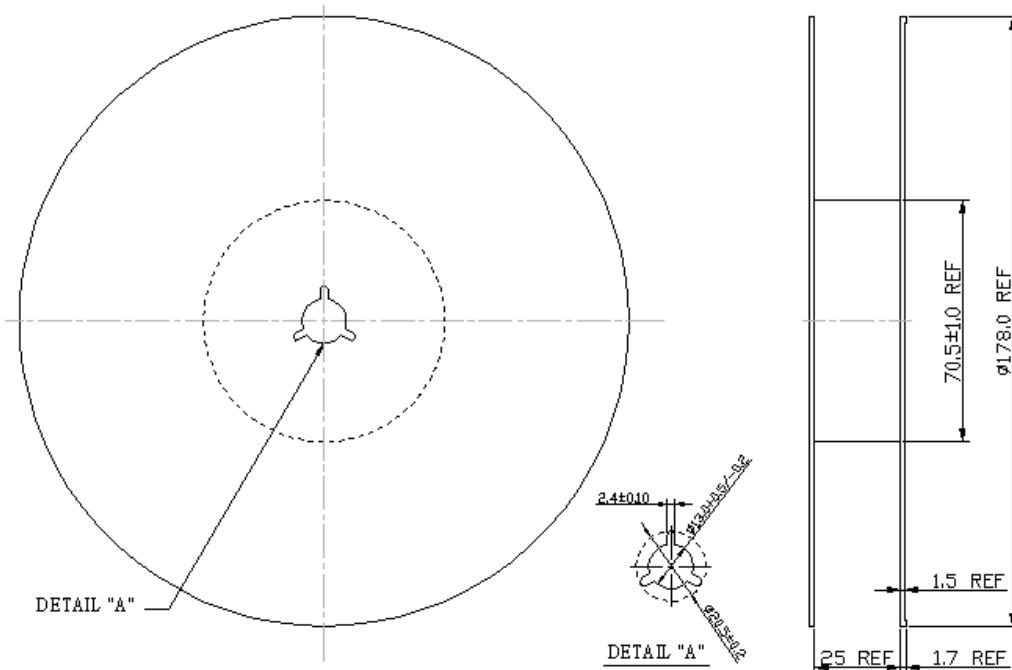


**SAW Filter 125.0MHz**  
**Part No: MP08006 (AEC-Q200 compliant)**

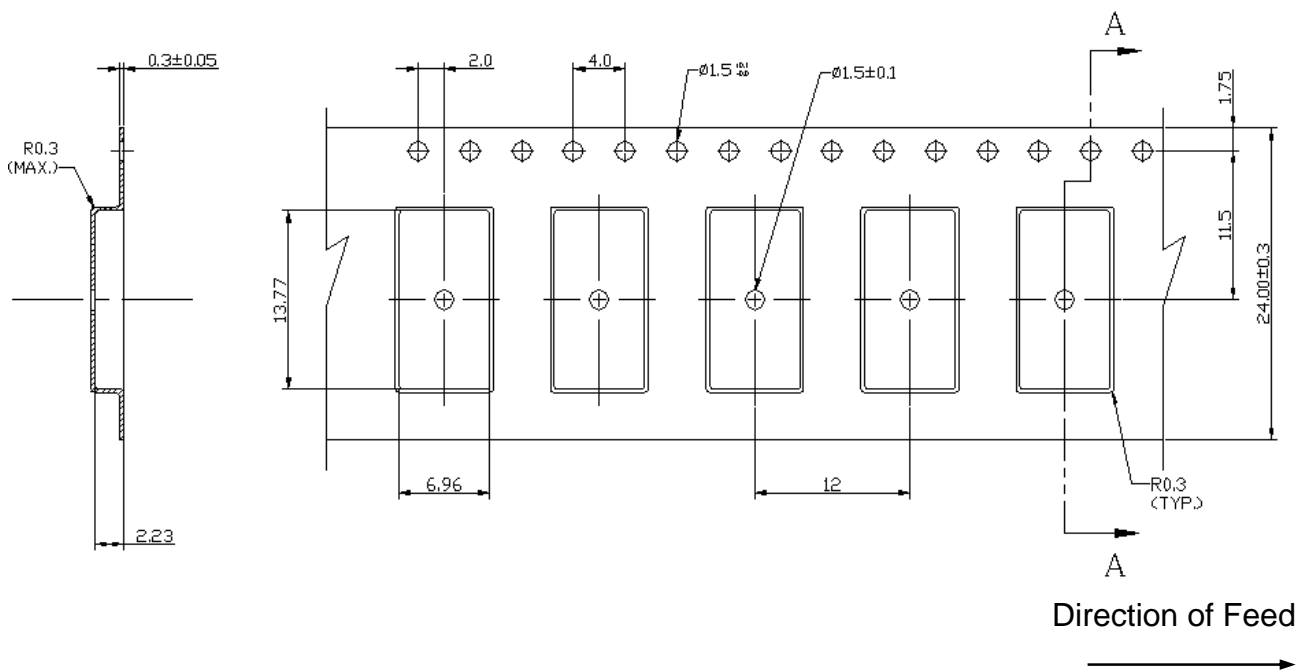
**Model: TB0467B**  
**Rev No: 1**

**G. PACKING:**

1. Reel Dimension



2. Tape Dimension



**SAW Filter 125.0MHz**  
**Part No: MP08006 (AEC-Q200 compliant)**

**Model: TB0467B**  
**Rev No: 1**

**H. RECOMMENDED REFLOW PROFILE:**

