

SAW Filter 153.6MHz
Part No: MP03134

Model: TB0774A
Rev No: 1

A. MAXIMUM RATING:

1. Operating Temperature: -40°C ~ +85°C
2. Storage Temperature: -40°C ~ +85°C
3. Input power: 10dBm

B. CHARACTERISTICS:

Ambient Temperature: 25°C

Characteristics	Value			Note
	Min.	Typ.	Max.	
Center frequency Fc MHz	-	153.6	-	-
Maximum Insertion loss IL dB	-	11.3	13.0	-
1dB Bandwidth MHz	32.0	36.8	-	-
3dB Bandwidth MHz	34.0	39.0	-	-
35dB Bandwidth MHz	-	47.0	48.0	-
Passband Ripple (within Fc ± 16MHz) dB	-	0.6	1.0	-
Group Delay Ripple (within Fc ± 16MHz) nS	-	55	150	-
Absolute Group Delay uS	-	0.46	-	-
Temp Coefficient ppm/°C	-	-93	-	-
Attenuation: (Reference level from minimum insertion loss)				
10MHz ~ 80MHz dB	35	68	-	-
80MHz ~100MHz dB	40	64	-	-
100MHz ~ 125MHz dB	35	52	-	-
182MHz ~ 200MHz dB	35	40	-	-
200MHz ~ 250MHz dB	35	43	-	-
250MHz ~ 600MHz dB	25	32	-	-

SAW Filter 153.6MHz
Part No: MP03134

Model: TB0774A
Rev No: 1

C. FREQUENCY CHARACTERISTICS:

1. S21 Response: (span: 100MHz)

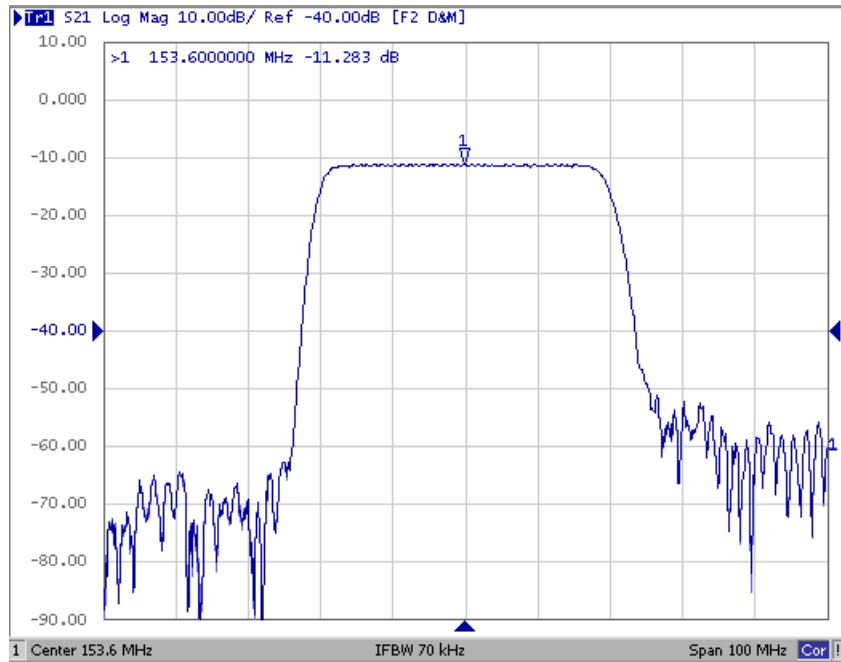


Fig. 1. Horizontal: 10MHz/Div Vertical: 10dB/Div

2. Group-Delay Ripple: (span: 60MHz)

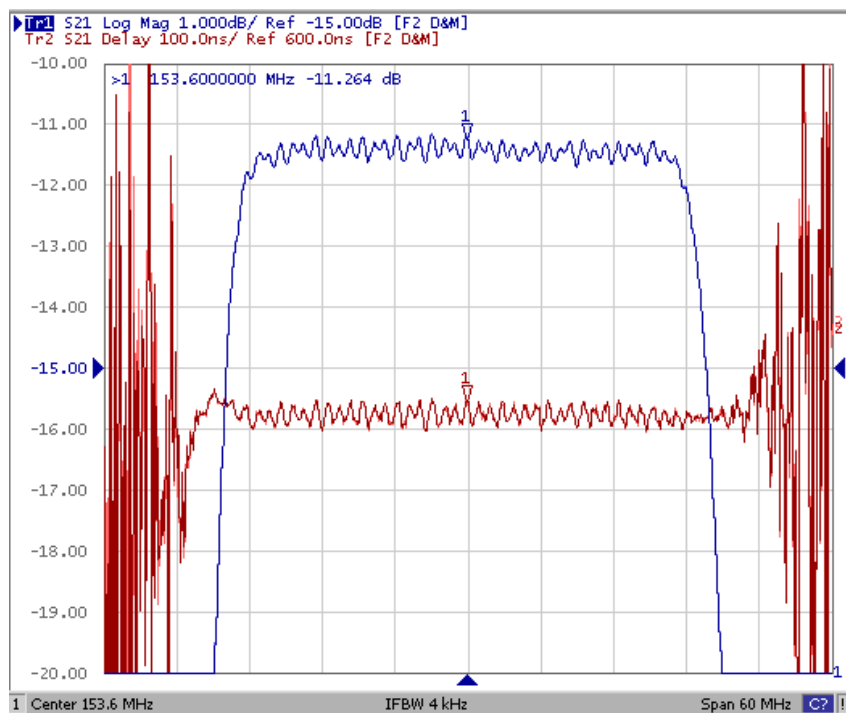
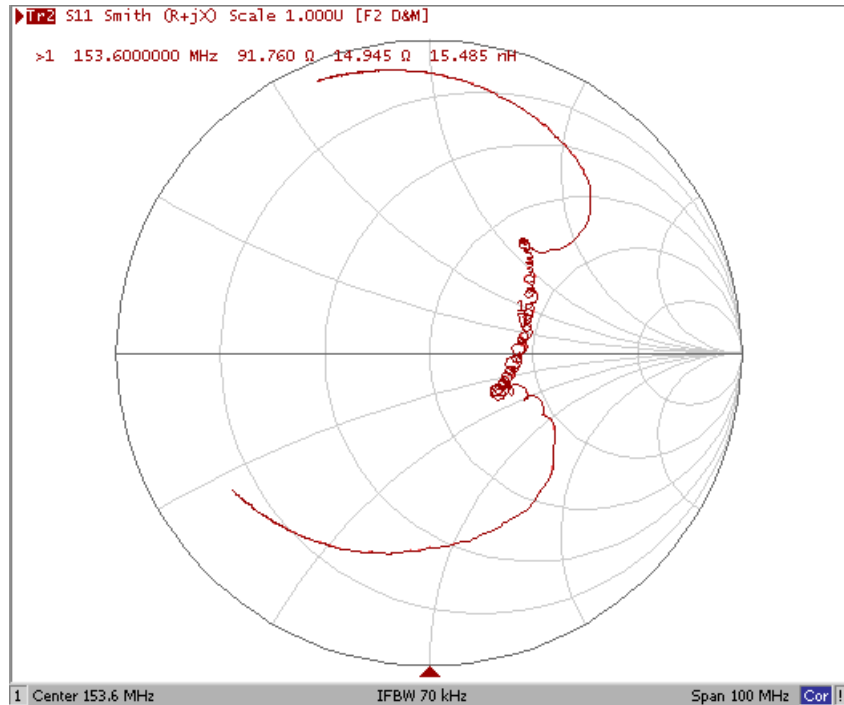


Fig. 2. Horizontal: 6MHz/Div Vertical: 100nec/Div

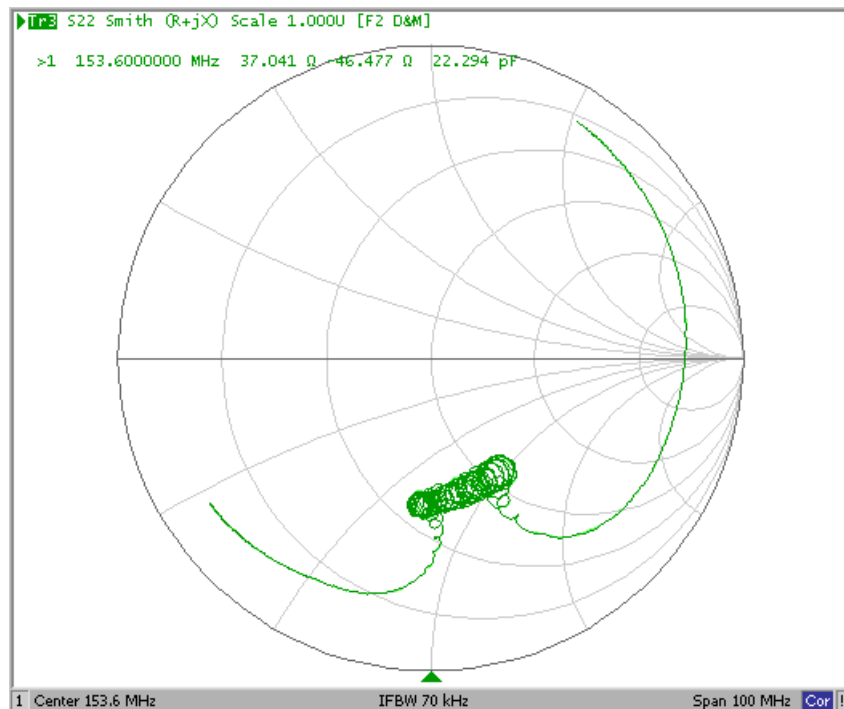
SAW Filter 153.6MHz
Part No: MP03134

Model: TB0774A
Rev No: 1

3. S11 Smith Chart: (span: 100MHz)



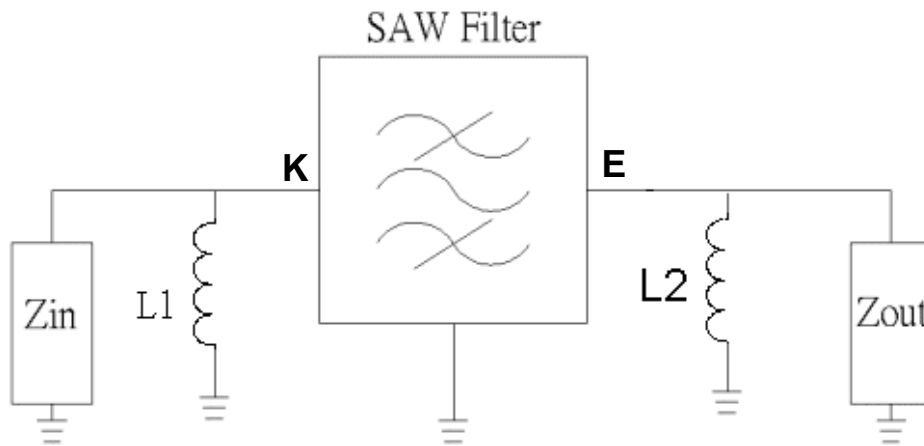
4. S22 Smith Chart (span: 100MHz)



SAW Filter 153.6MHz
Part No: MP03134

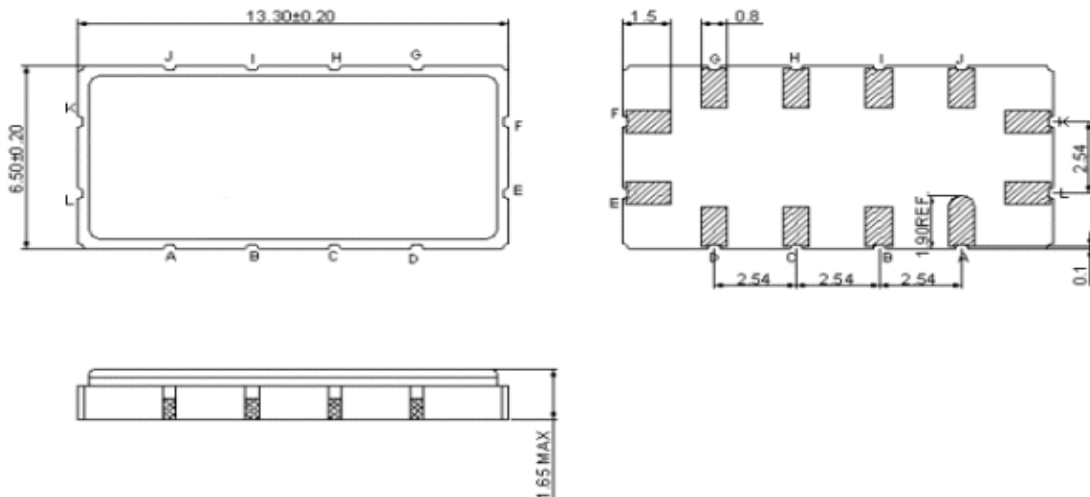
Model: TB0774A
Rev No: 1

D. MEASUREMENT CIRCUIT:



Z_{in} and Z_{out} are 50Ω .
 $L1=27\text{ nH}$, $L2=47\text{ nH}$

E. OUTLINE DRAWING:

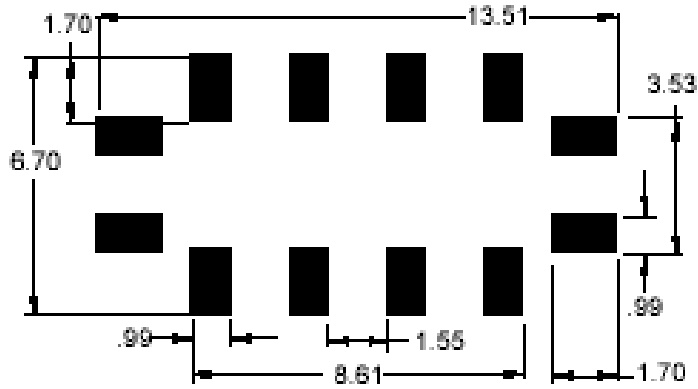


K: RF input
 E: RF output
 A, B, C, D, G, H, I, L, F, J: To be Ground
 Unit: mm

SAW Filter 153.6MHz
Part No: MP03134

Model: TB0774A
Rev No: 1

F. PCB FOOTPRINT:

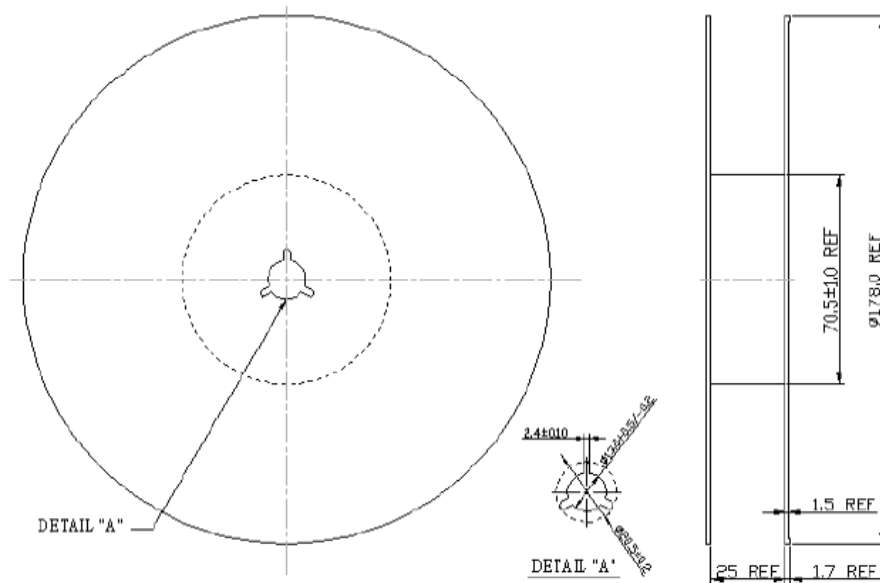


SAW Filter 153.6MHz
Part No: MP03134

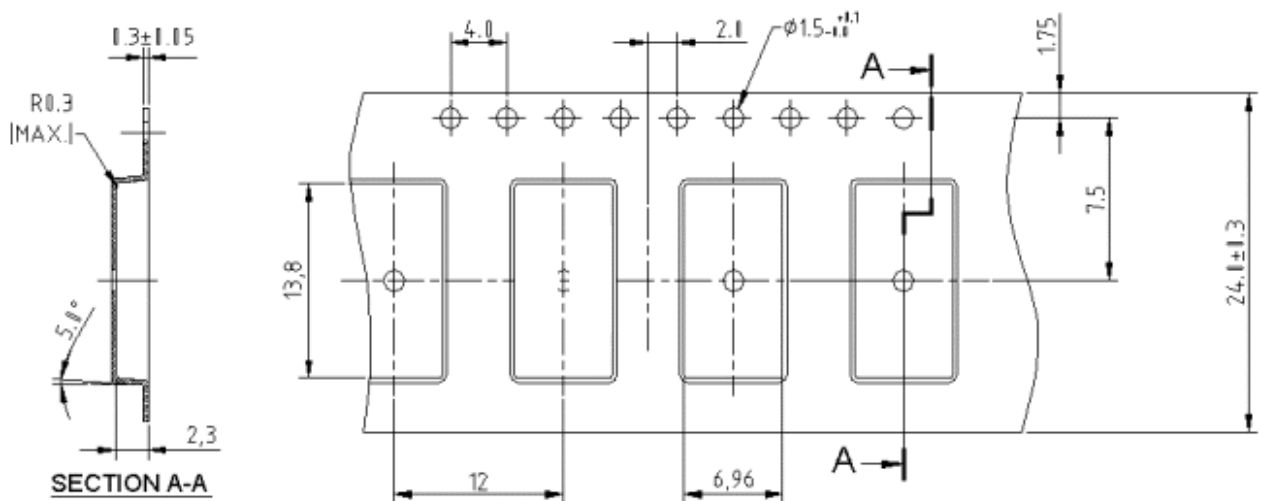
Model: TB0774A
Rev No: 1

G. PACKING:

1. REEL DIMENSION



2. TAPE DIMENSION



SAW Filter 153.6MHz
Part No: MP03134

Model: TB0774A
Rev No: 1

H. RECOMMENDED REFLOW PROFILE:

