

SAW Filter 686.0MHz
Part No: MP10179

Model: TA2426A
Rev No: 1

A. MAXIMUM RATING:

Electrostatic Sensitive Device (ESD)

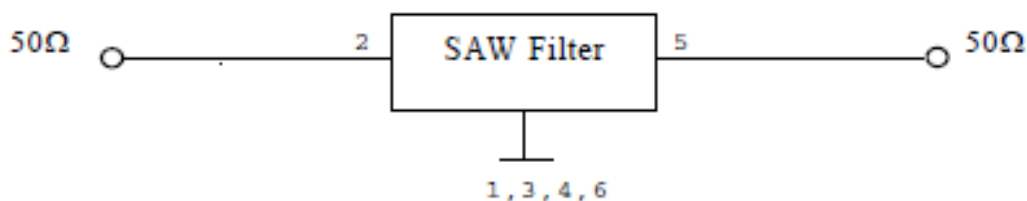
1. Input Power Level: 20dBm (CW for 70000hrs at 25°C)
2. DC voltage: 5V
3. Operating Temperature: -40°C to +105°C
4. Storage Temperature: -40°C to +105°C
5. Moisture Sensitivity Level: Level 1 (MSL1)

B. ELECTRICAL CHARACTERISTICS:

Item	Unit	Min	Typ	Max
Center Frequency Fc	MHz		686	
Insertion Loss 670~702MHz (0°C to +50°C)	dB		2.5	3.5
Insertion Loss 670~702MHz (-40°C to +105°C)	dB		2.5	5
Return Loss 670~702MHz (0°C to +50°C)	dB	12	16	
Pass band 670~702MHz	MHz	32	45	
Attenuation (Reference level from 0dB)				
10~460MHz	dB	45	53	
460~610MHz	dB	35	43	
780~1120MHz	dB	38	44	
1120~1300MHz	dB	32	40	
Temperature Coefficient of Frequency	ppm/°C	-75 typ		

C. MEASUREMENT CIRCUIT:

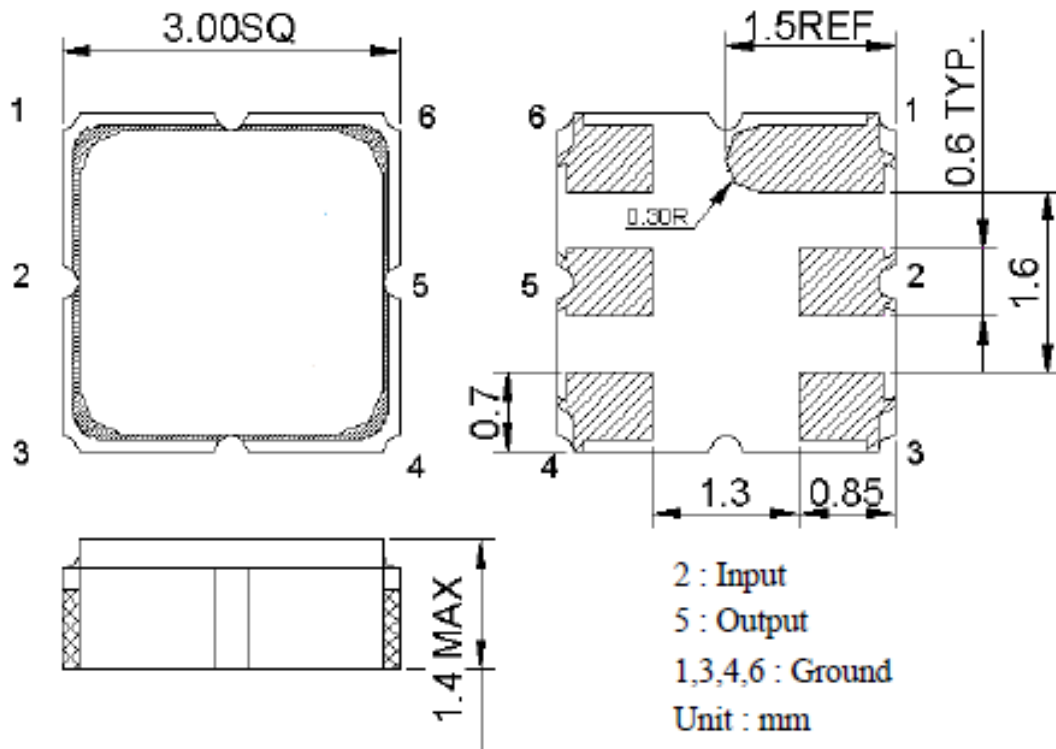
HP Network analyzer



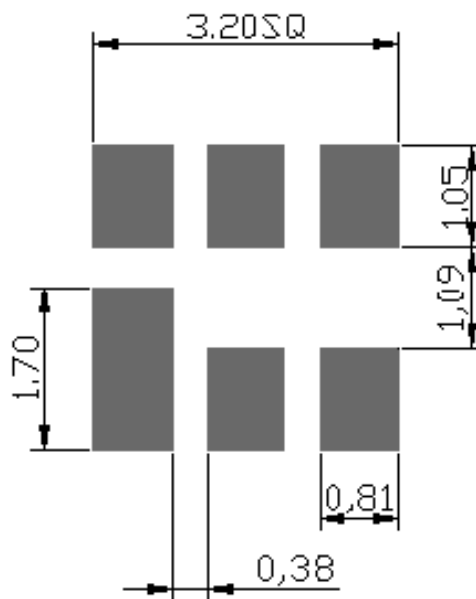
SAW Filter 686.0.0MHz
Part No: MP10179

Model: TA2426A
Rev No: 1

D. OUTLINE DRAWING:



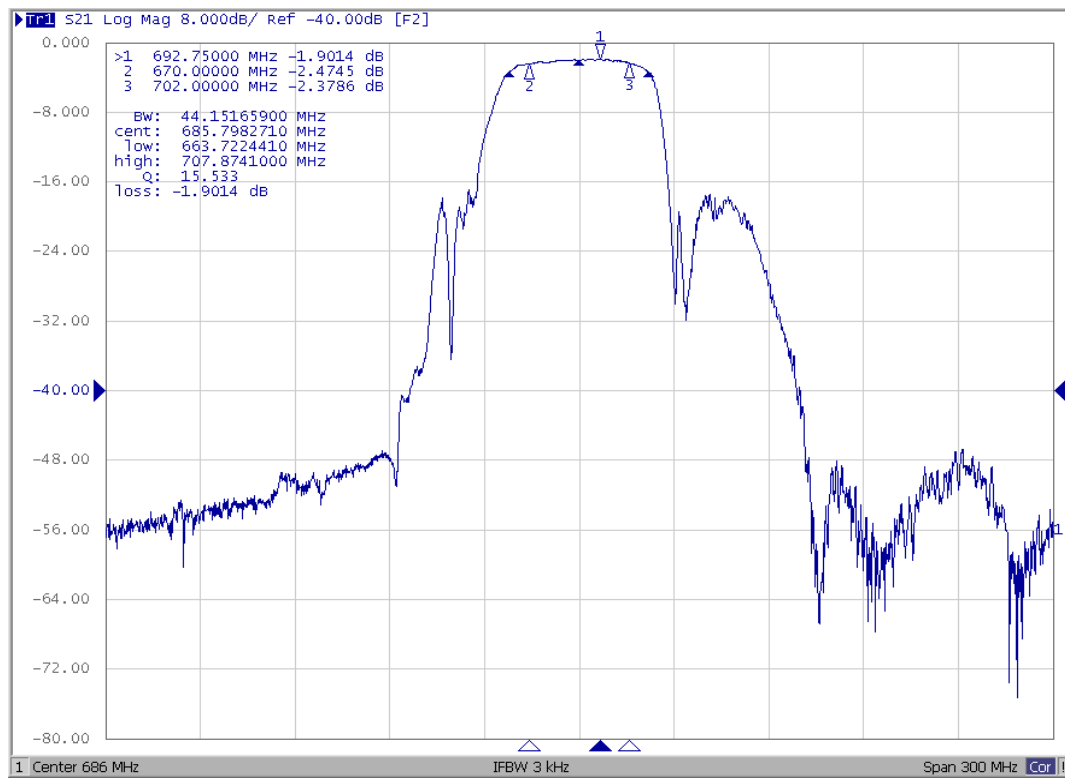
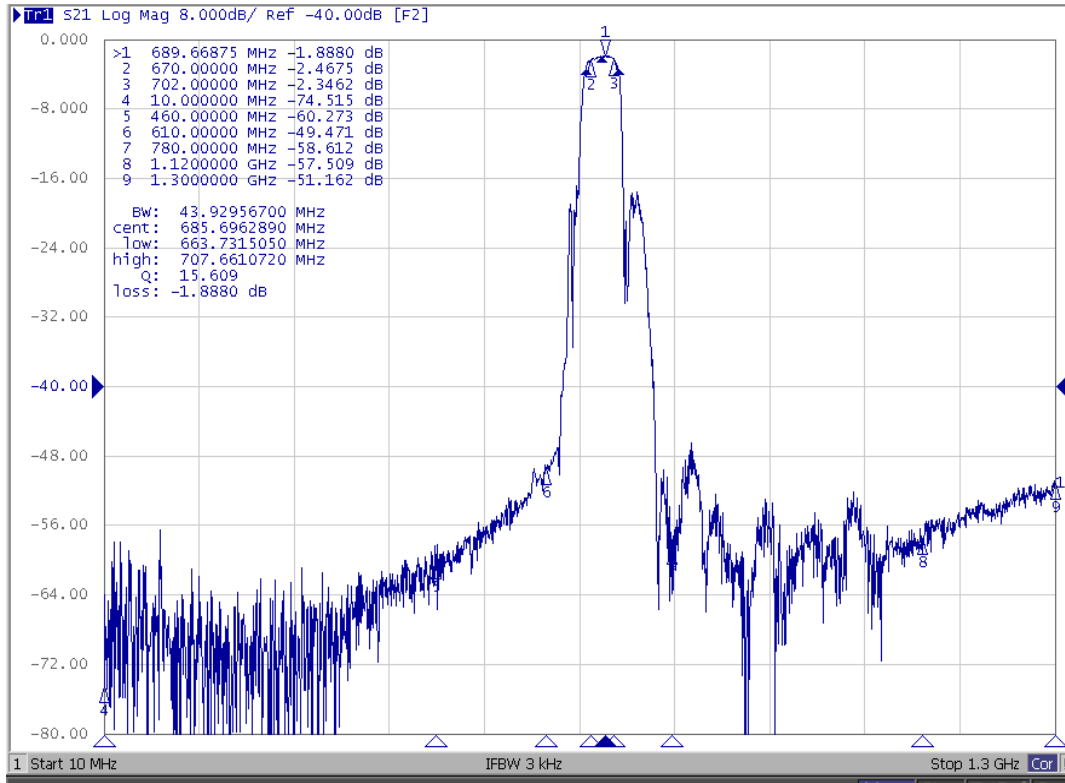
E. PCB FOOTPRINT:



SAW Filter 686.0MHz
Part No: MP10179

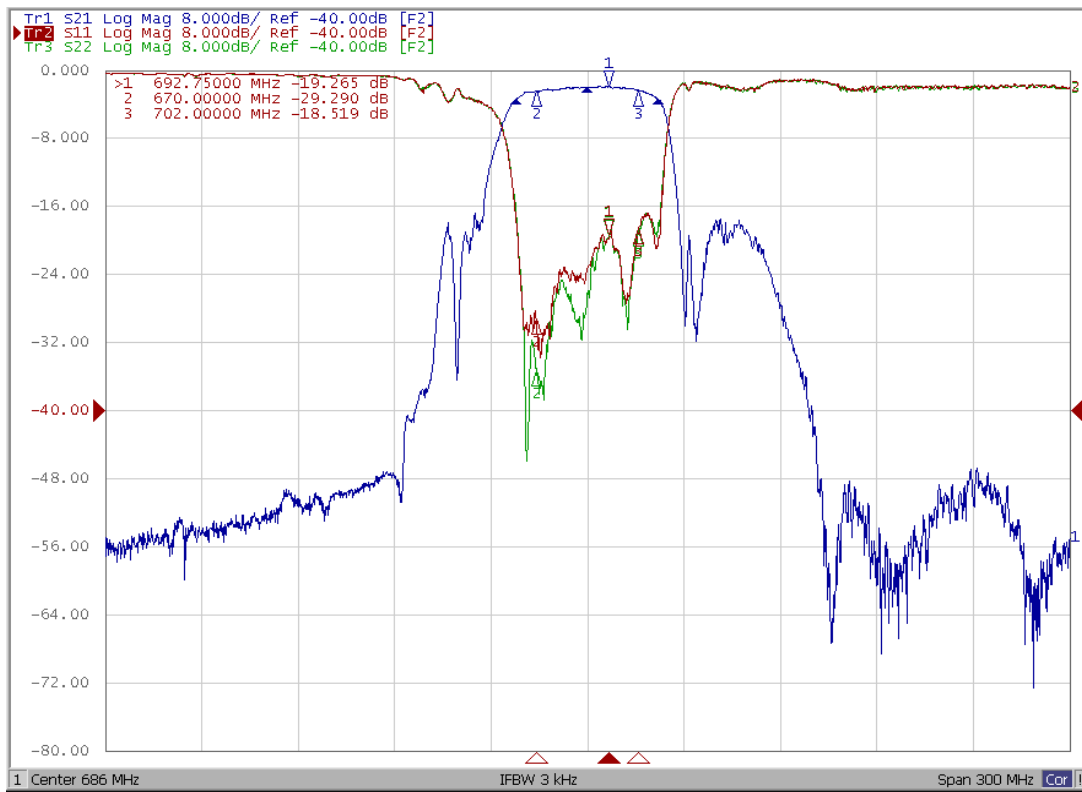
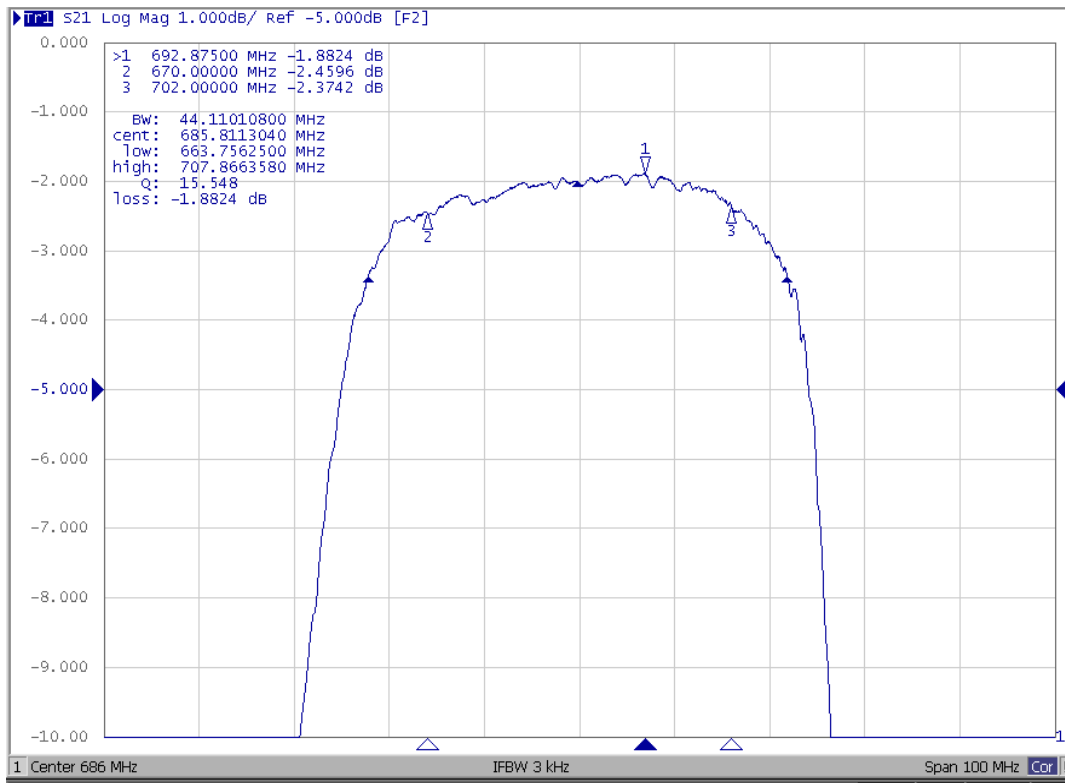
Model: TA2426A
Rev No: 1

F. FREQUENCY CHARACTERISTICS:



SAW Filter 686.0MHz
Part No: MP10179

Model: TA2426A
Rev No: 1

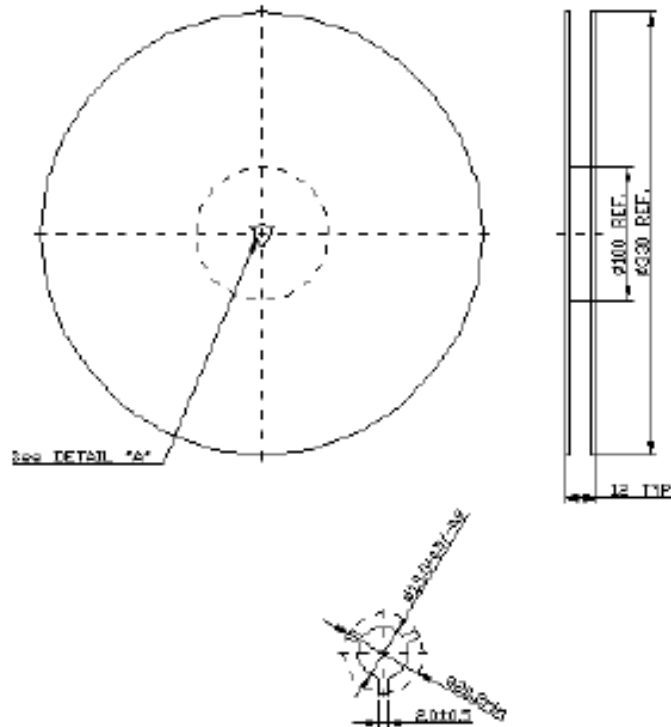


SAW Filter 686.0.0MHz
Part No: MP10179

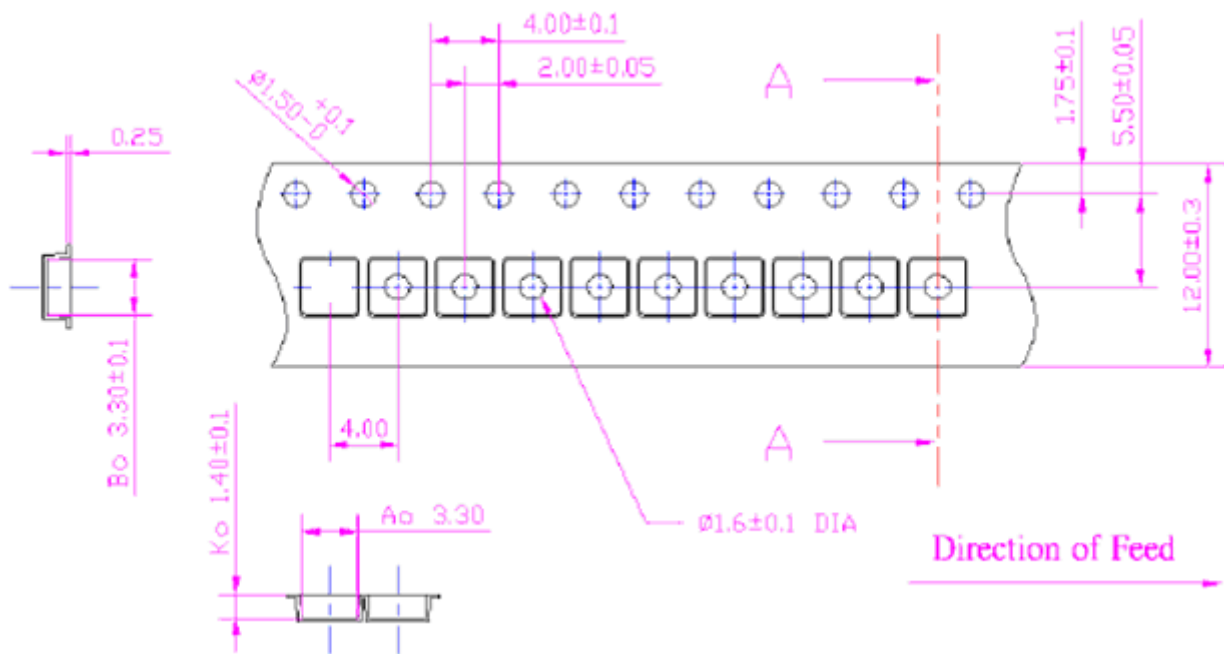
Model: TA2426A
Rev No: 1

G. PACKING:

1. Reel Dimensions



2. Tape Dimensions



SAW Filter 686.0.0MHz
Part No: MP10179

Model: TA2426A
Rev No: 1

H. RECOMMENDED REFLOW PROFILE:

1. Preheating shall be fixed at 150~180°C for 60~90 seconds.
2. Ascending time to preheating temperature 150°C shall be 30 seconds min.
3. Heating shall be fixed at 220°C for 50~80 seconds and at 260°C +0/-5°C peak (20~40sec).
4. Time: 2 times.

