

SAW Filter: 1585.6550MHz

Model: TA2291A

Part No: MP10486 (AEC-Q200 compliant)

Rev No: 1

A. MAXIMUM RATING:

Electrostatic Sensitive Device (ESD)

1. Input Power Level: 20dBm
2. DC Voltage: 3V
3. Operating Temperature: -40°C to +105°C
4. Storage Temperature: -40°C to +105°C
5. Moisture Sensitivity Level: Level 3 (MSL3)

B. ELECTRICAL CHARACTERISTICS:

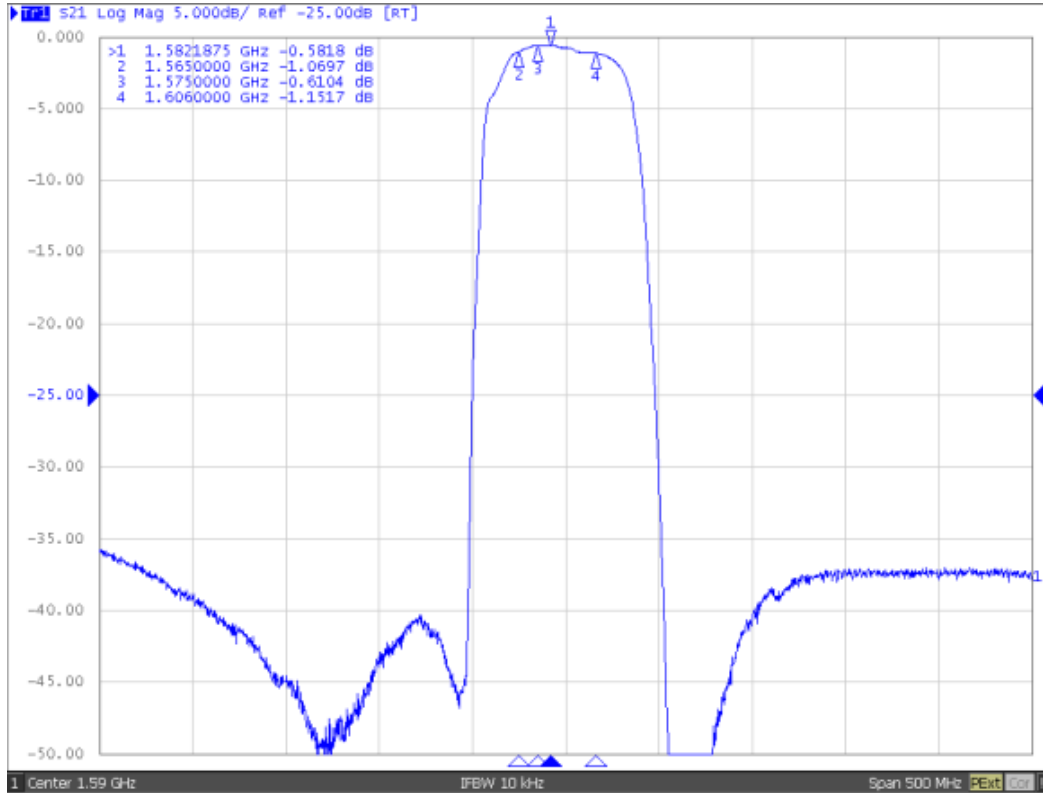
Item	Unit	Min.	Typ.	-20 to +85°C	-40 to +105°C
Center Frequency Fc	MHz	-	1585.655	-	-
Insertion Loss (1565.42 ~ 1585.42MHz)	dB	-	1.3	1.7	2.1
Insertion Loss (1574.42 ~ 1576.42MHz)		-	1.0	1.2	1.4
Insertion Loss (1597.55 ~ 1605.89 MHz)		-	1.4	1.7	2.1
VSWR (1565.42 ~ 1585.42MHz)		-	1.5	1.8	1.8
VSWR (1597.55 ~ 1605.89MHz)		-	1.7	2	2.2
Amplitude ripple (1565.42 ~ 1605.89MHz)	dB	-	0.6	1.0	1.3
Attenuation-					
10 ~ 960MHz	dB	26	31	-	
1427 ~ 1453MHz	dB	37	42	-	-
1453 ~ 1501MHz	dB	36	41	-	-
1501 ~ 1525MHz	dB	35	40	-	-
1626 ~ 1660MHz	dB	4	8	-23 ~ 27°C	23 ~ 27°C
1710 ~ 1785MHz	dB	32	37	-	-
1850 ~ 1910MHz	dB	33	38	-	-
1920 ~ 1980MHz	dB	33	38	-	-
2110 ~ 2170MHz	dB	33	38	-	-
2400 ~ 2500MHz	dB	40	45	-	-
2500 ~ 2570MHz	dB	40	45	-	-
Temperature coefficient	ppm/°C	-36			
Package size	mm	SMD 1.1 x 0.9			

SAW Filter: 1585.6550MHz
Part No: MP10486 (AEC-Q200 compliant)

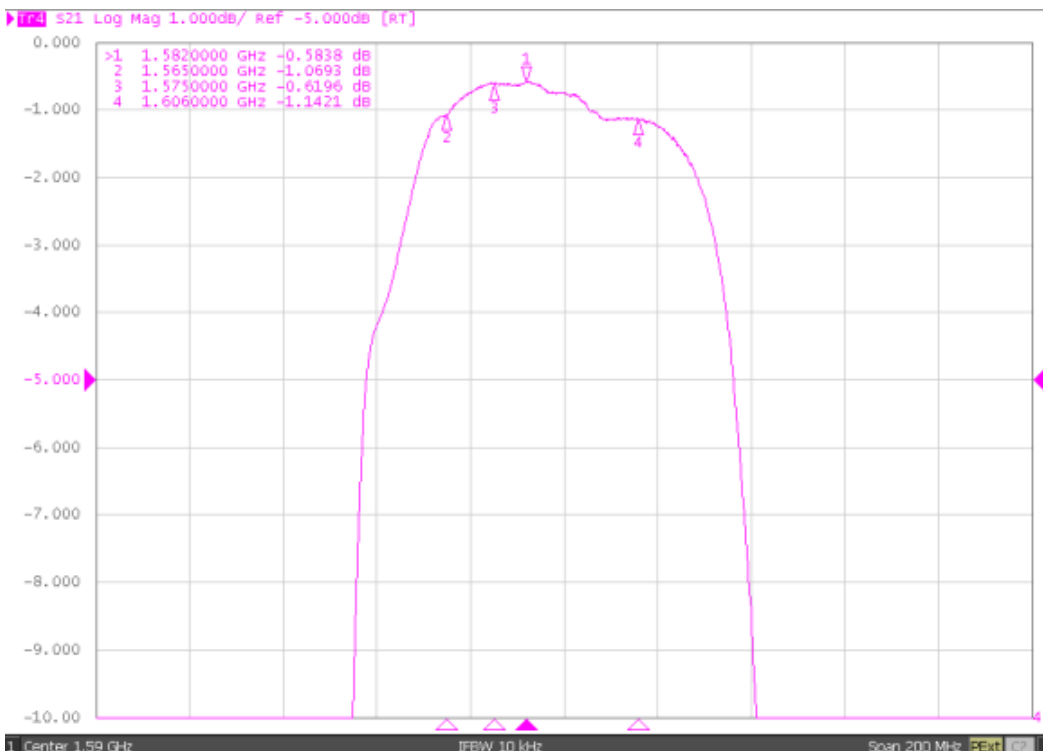
Model: TA2291A
Rev No: 1

C. FREQUENCY CHARACTERISTICS:

1. S21 response: (span 500MHz)



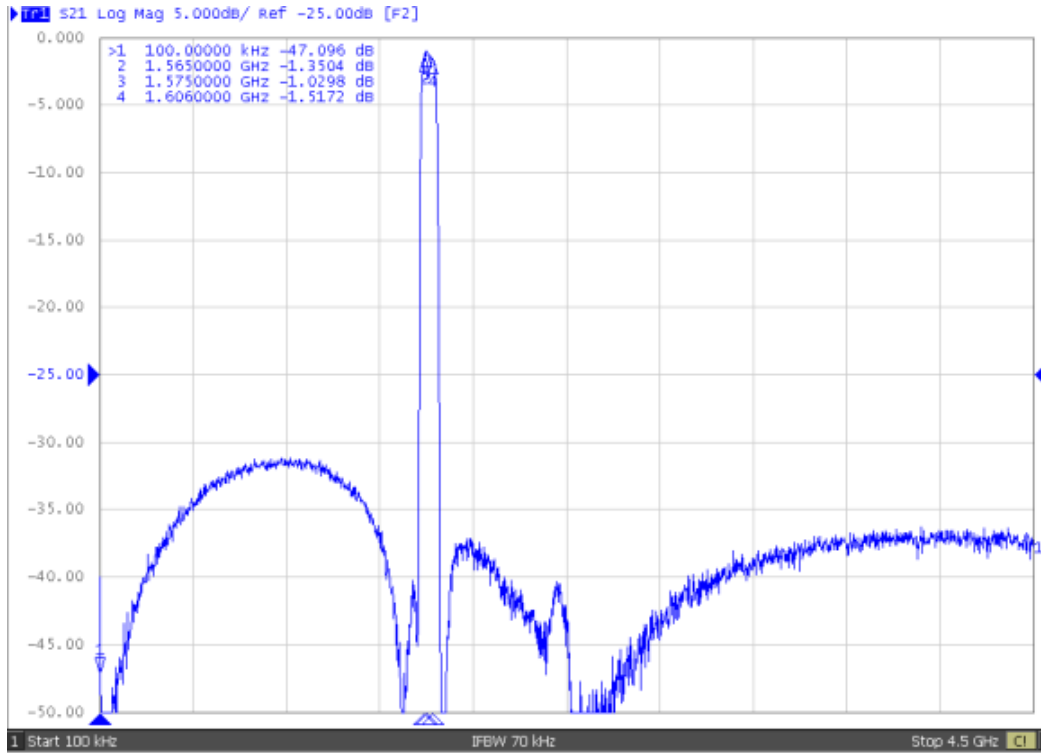
2. S21 response: (span 200MHz)



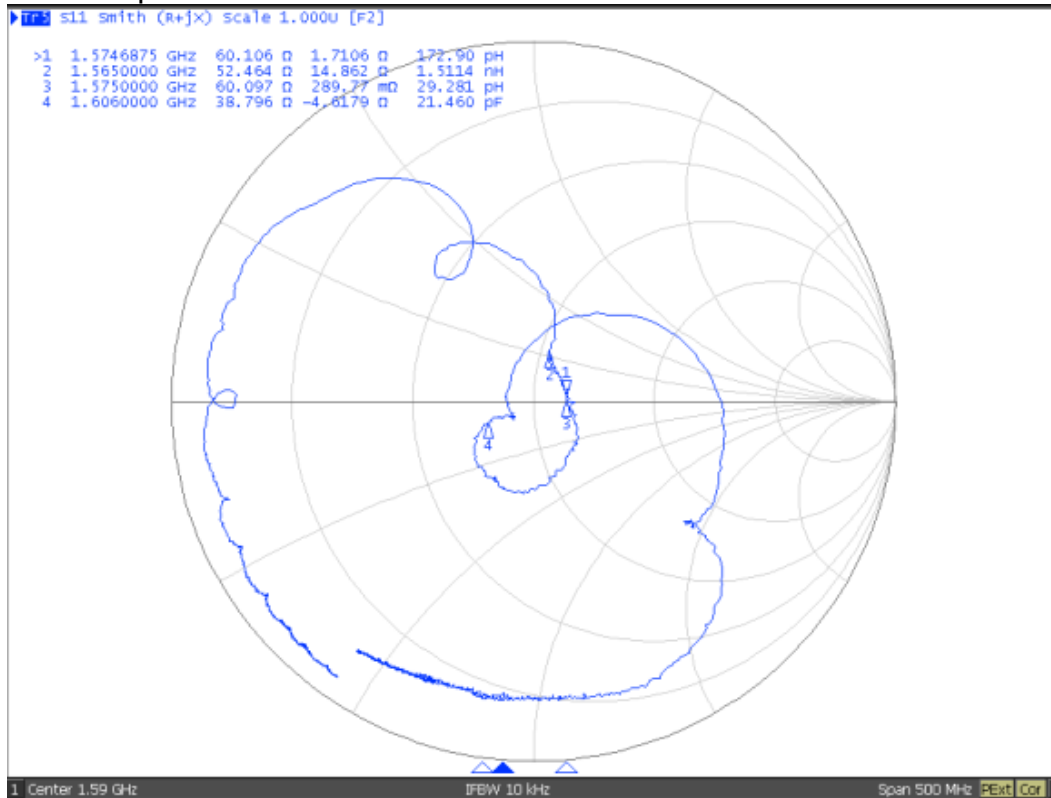
SAW Filter: 1585.6550MHz
Part No: MP10486 (AEC-Q200 compliant)

Model: TA2291A
Rev No: 1

3. S21 response: (span 4.5GHz)

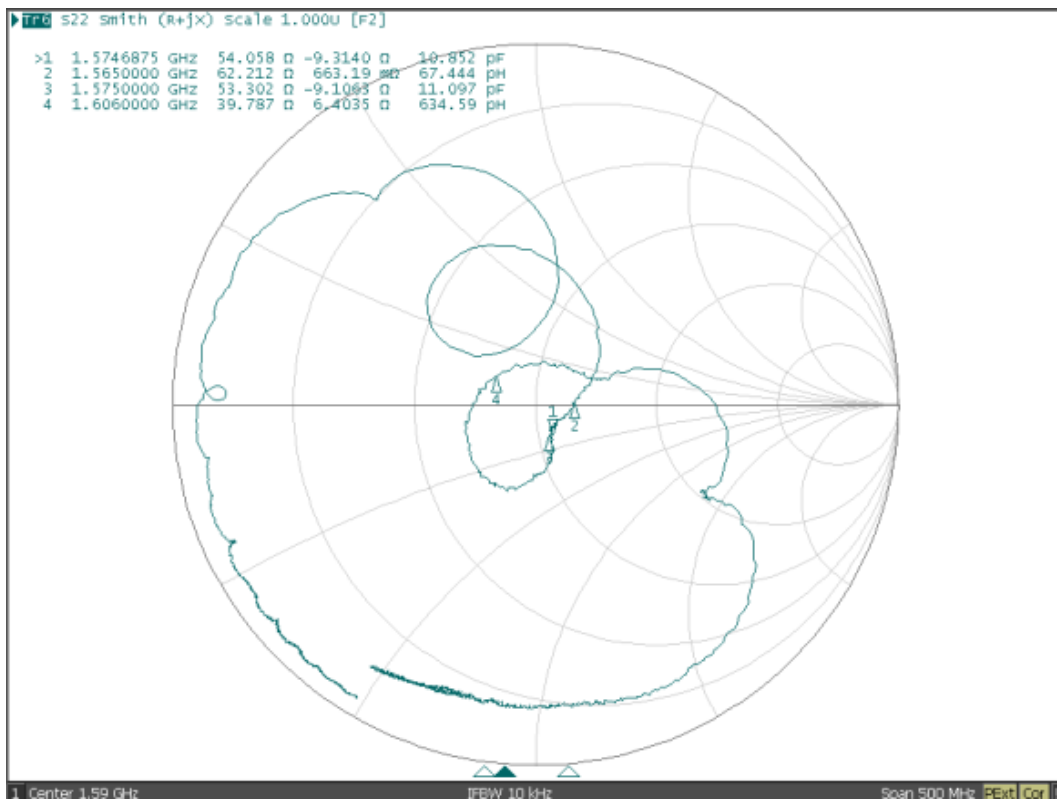


4. S11/S22 response:

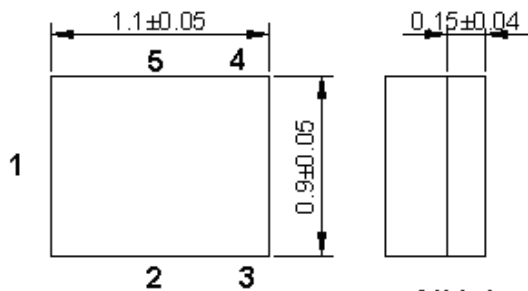


SAW Filter: 1585.6550MHz
Part No: MP10486 (AEC-Q200 compliant)

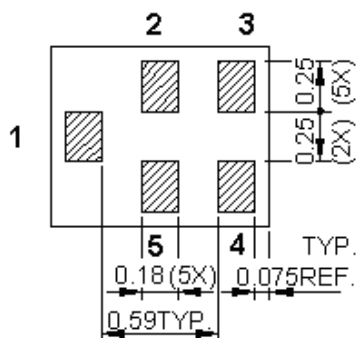
Model: TA2291A
Rev No: 1



D. OUTLINE DRAWING:



All tolerances are +/-0.05 mm unless otherwise specified
 Coplanarity : 0.1 mm max.
 1 to 5 : Pin No.
 Unit : mm



SAW Filter: 1585.6550MHz

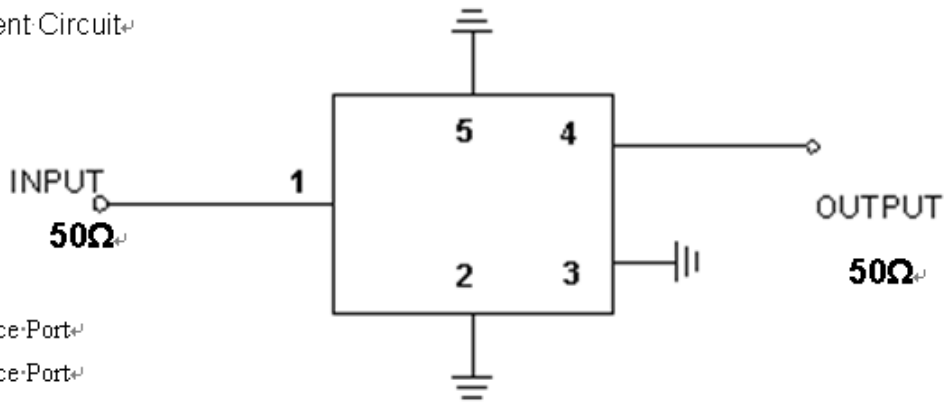
Model: TA2291A

Part No: MP10486 (AEC-Q200 compliant)

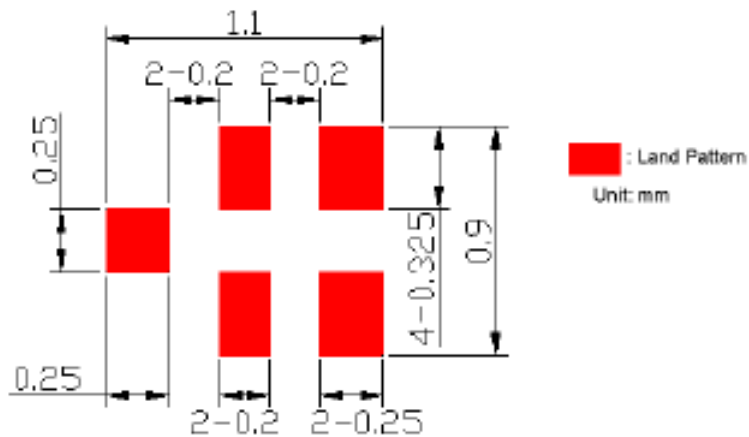
Rev No: 1

E. MEASUREMENT CIRCUIT:

Measurement Circuit



F. PCB FOOTPRINT:

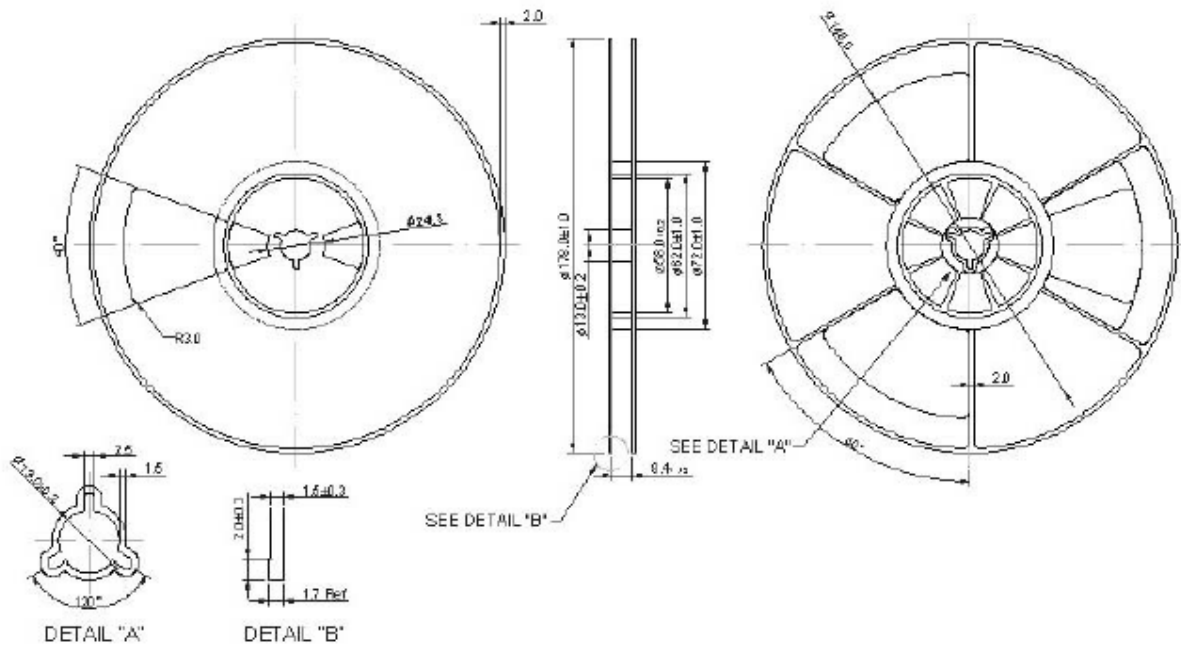


SAW Filter: 1585.6550MHz
Part No: MP10486 (AEC-Q200 compliant)

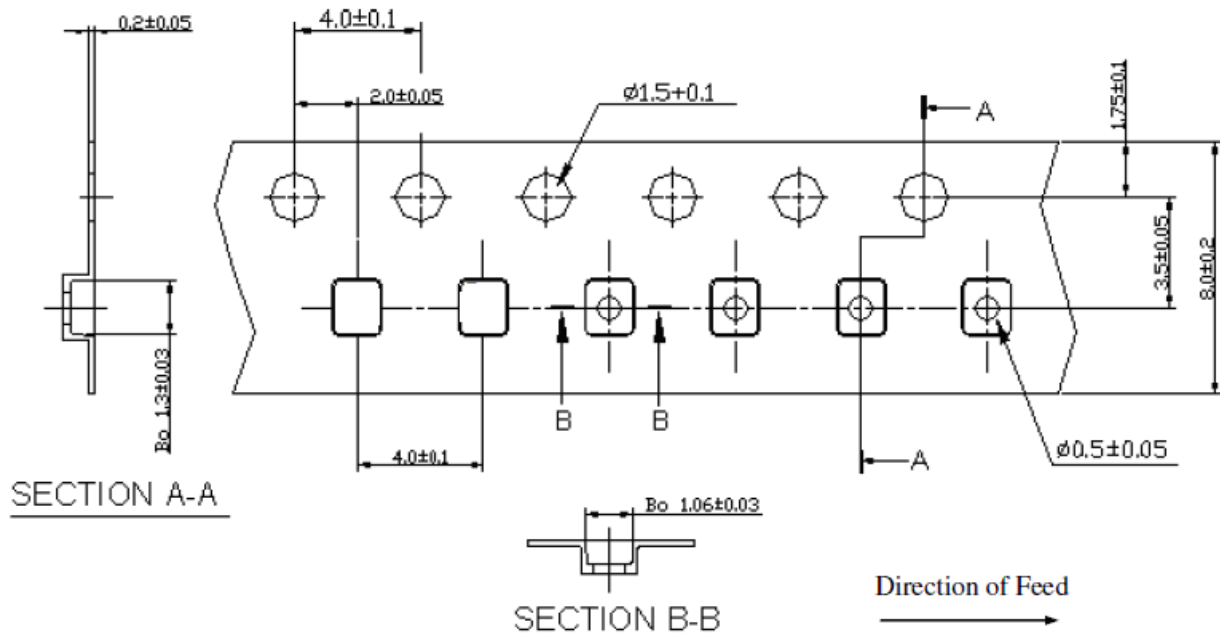
Model: TA2291A
Rev No: 1

G. PACKING:

1. Reel Dimensions



2. Tape Dimensions



SAW Filter: 1585.6550MHz
Part No: MP10486 (AEC-Q200 compliant)

Model: TA2291A
Rev No: 1

H. RECOMMENDED REFLOW PROFILE:

1. Preheating shall be fixed at 150 ~ 180°C for 60 ~ 90 seconds.
2. Ascending time to preheating temperature 150°C shall be 30 seconds min.
3. Heating shall be fixed at 220°C for 50 ~ 80 seconds and at 260°C +0/-5°C peak (20 ~ 40 sec).
4. Time: 2 times.

