

**SAW Filter 480.0MHz**  
**Part No: MP09431**

**Model: TA2091A**  
**Rev No: 1**

**A. MAXIMUM RATING:**

Electrostatic Sensitive Device (ESD)

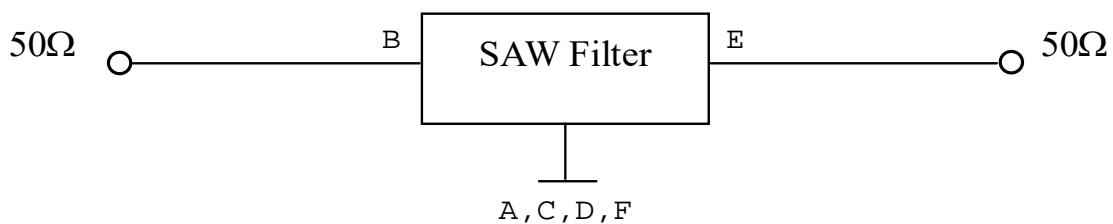
1. Input Power Level: 10dBm
2. DC voltage: 3V
3. Operating Temperature: -40°C to +85°C
4. Storage Temperature: -40°C to +85°C

**B. ELECTRICAL CHARACTERISTICS:**

Item	Unit	Min.	Typ.	Max.
Center frequency Fc	MHz	-	480	-
Insertion Loss (470 ~ 490MHz) IL	dB	-	2.4	4.8
Amplitude Ripple (470 ~ 490MHz)	dB	-	1.5	3.2
Attenuation (Reference level from 0dB)				
380 ~ 400MHz	dB	38	42	-
400 ~ 450MHz	dB	32	35	-
500 ~ 510MHz	dB	30	36	-
510 ~ 530MHz	dB	32	36	-
530 ~ 580MHz	dB	34	37	-
Temperature Coefficient of Frequency	ppm/°C	-	-36	-

**C. MEASUREMENT CIRCUIT:**

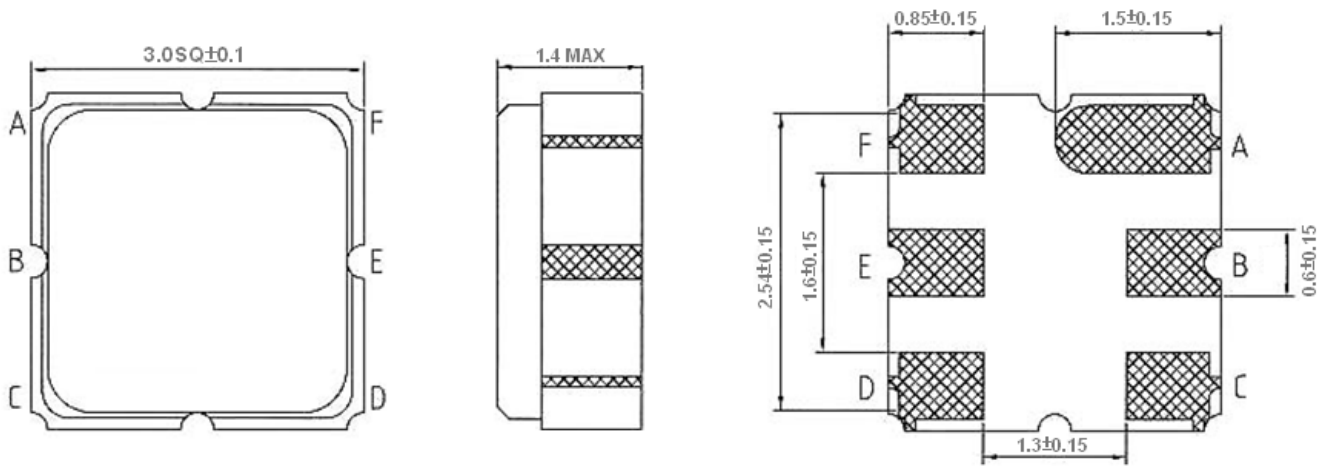
HP Network analyzer



**SAW Filter 480.0MHz**  
**Part No: MP09431**

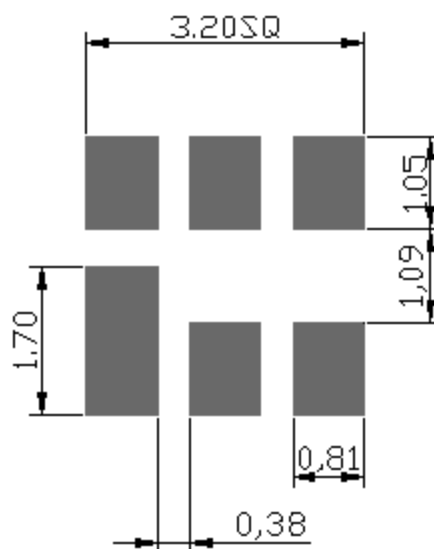
**Model: TA2091A**  
**Rev No: 1**

**D. OUTLINE DRAWING:**



B: Input  
E: Output  
A, C, D, F: Ground  
Unit: mm

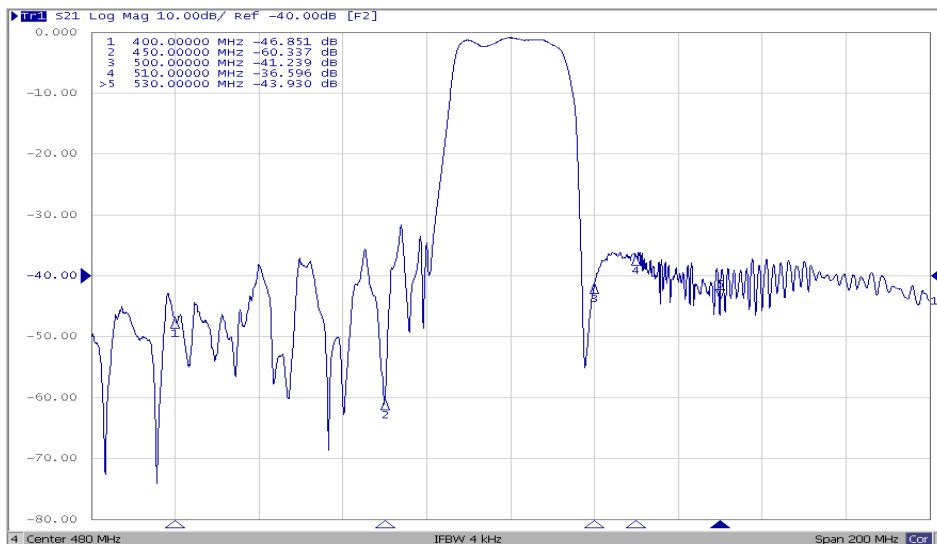
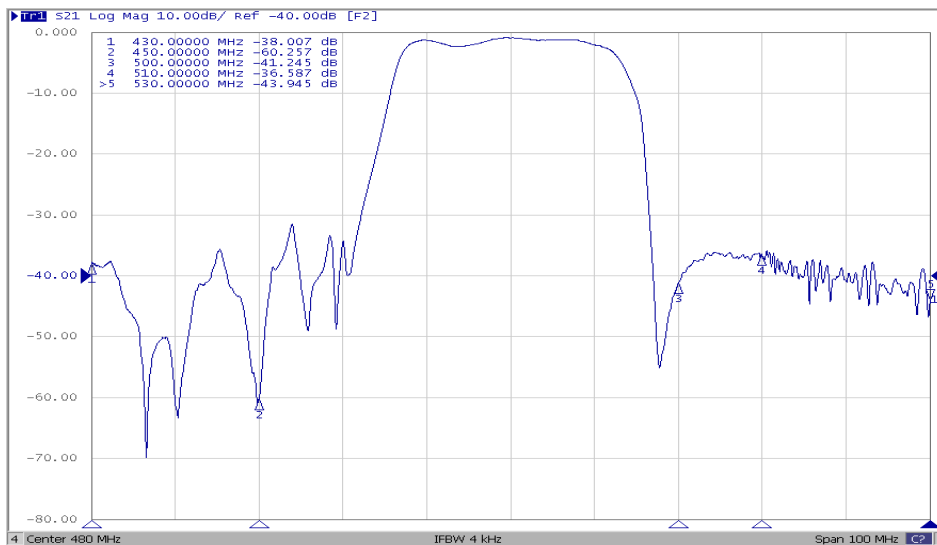
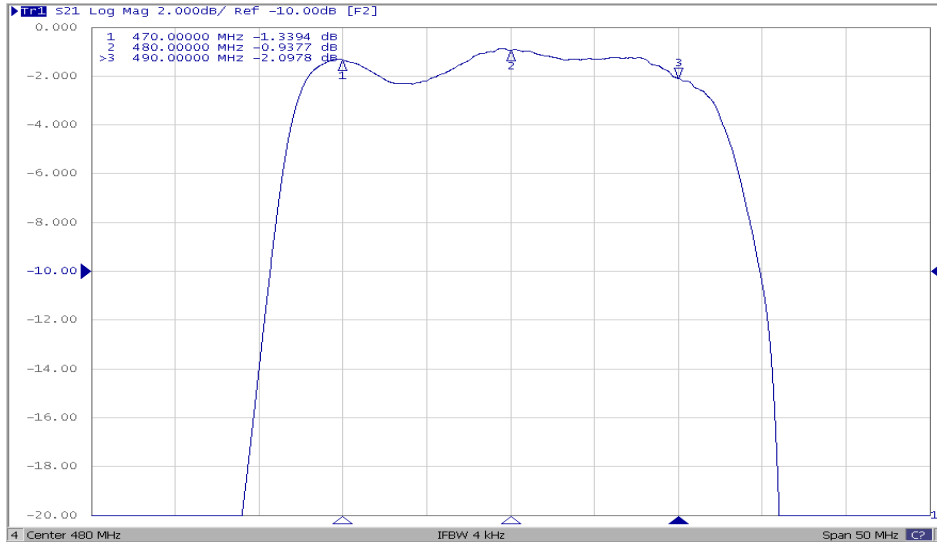
**E. PCB FOOTPRINT:**



**SAW Filter 480.0MHz**  
**Part No: MP09431**

**Model: TA2091A**  
**Rev No: 1**

**F. FREQUENCY CHARACTERISTICS:**

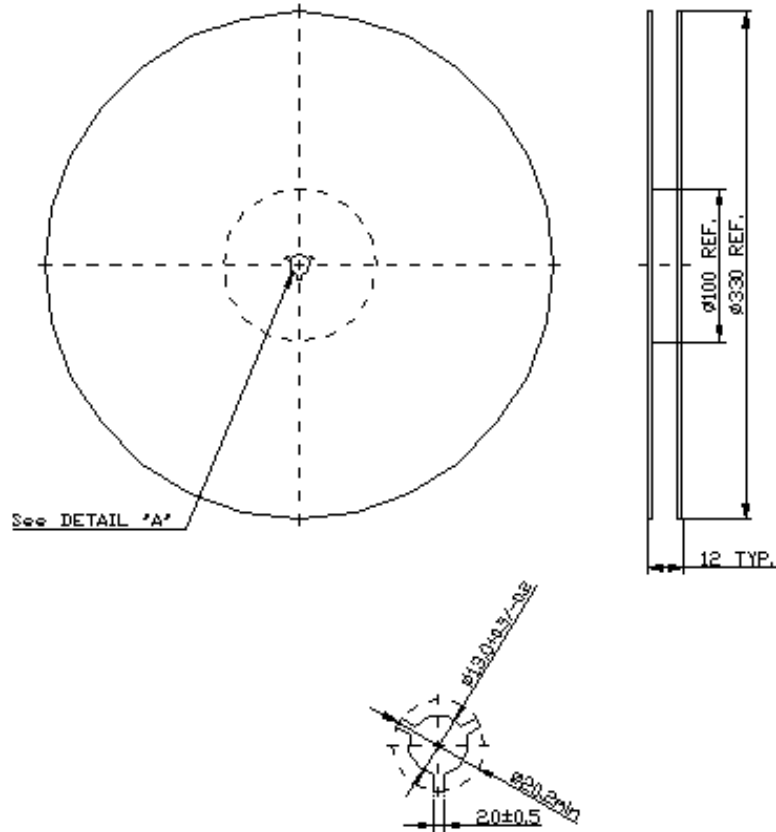


**SAW Filter 480.0MHz**  
**Part No: MP09431**

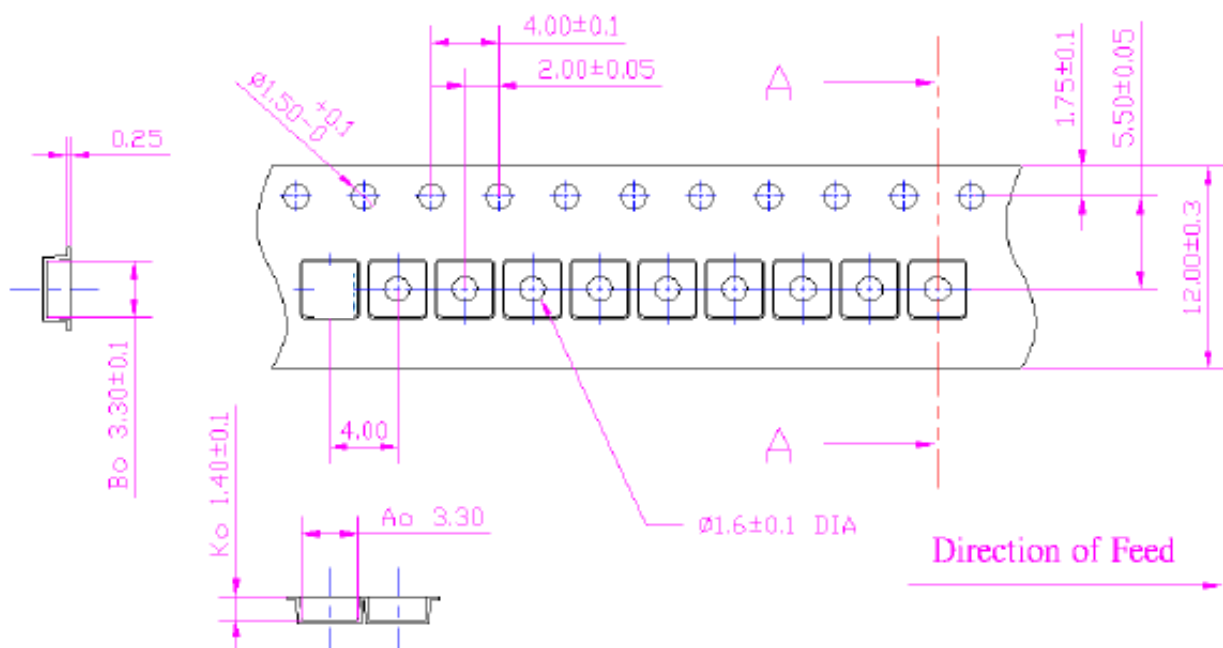
**Model: TA2091A**  
**Rev No: 1**

**G. PACKING:**

1. Reel Dimensions



2. Tape Dimensions



**SAW Filter 480.0MHz**  
**Part No: MP09431**

**Model: TA2091A**  
**Rev No: 1**

**H. RECOMMENDED REFLOW PROFILE:**

1. Preheating shall be fixed at 150 ~ 180°C for 60 ~ 90 seconds.
2. Ascending time to preheating temperature 150°C shall be 30 seconds min.
3. Heating shall be fixed at 220°C for 50 ~ 80 seconds and at 260°C +0/-5°C peak (20 ~ 40 sec).
4. Time: 2 times.

