

SAW Filter: 2345.0MHz
Part No: MP10554

Model: TA1704A
Rev No: 1

A. MAXIMUM RATING:

Electrostatic Sensitive Device (ESD)

1. Input Power Level: 10dBm
2. DC Voltage: 3V
3. Operating Temperature: -40°C to +105°C
4. Storage Temperature: -40°C to +85°C

B. ELECTRICAL CHARACTERISTICS:

1. Terminating source impedance (single): $Z_S = 50\Omega$
2. Terminating load impedance (differential): $Z_L = 100\Omega // 20N_h$

Item	Unit	Min.	Typ.	Max.	Note
Center Frequency Fc	MHz	-	2345	-	-
Insertion Loss (2300 ~ 2390MHz) IL	dB	-	2.7	3.2	-
VSWR (2300 ~ 2390MHz)		-	2.4	2.7	-
Amplitude ripple (2300 ~ 2390MHz)	dB	-	1.2	1.7	-
Attenuation					
750 ~ 1980MHz	dB	40	45	-	-
2110 ~ 2170MHz	dB	40	45	-	-
2170 ~ 2250MHz	dB	24	31	-	-
2450 ~ 2550MHz	dB	18	20	-	-
2550 ~ 6000MHz	dB	30	35	-	-
Package size	mm	SMD 1.4x1.1			

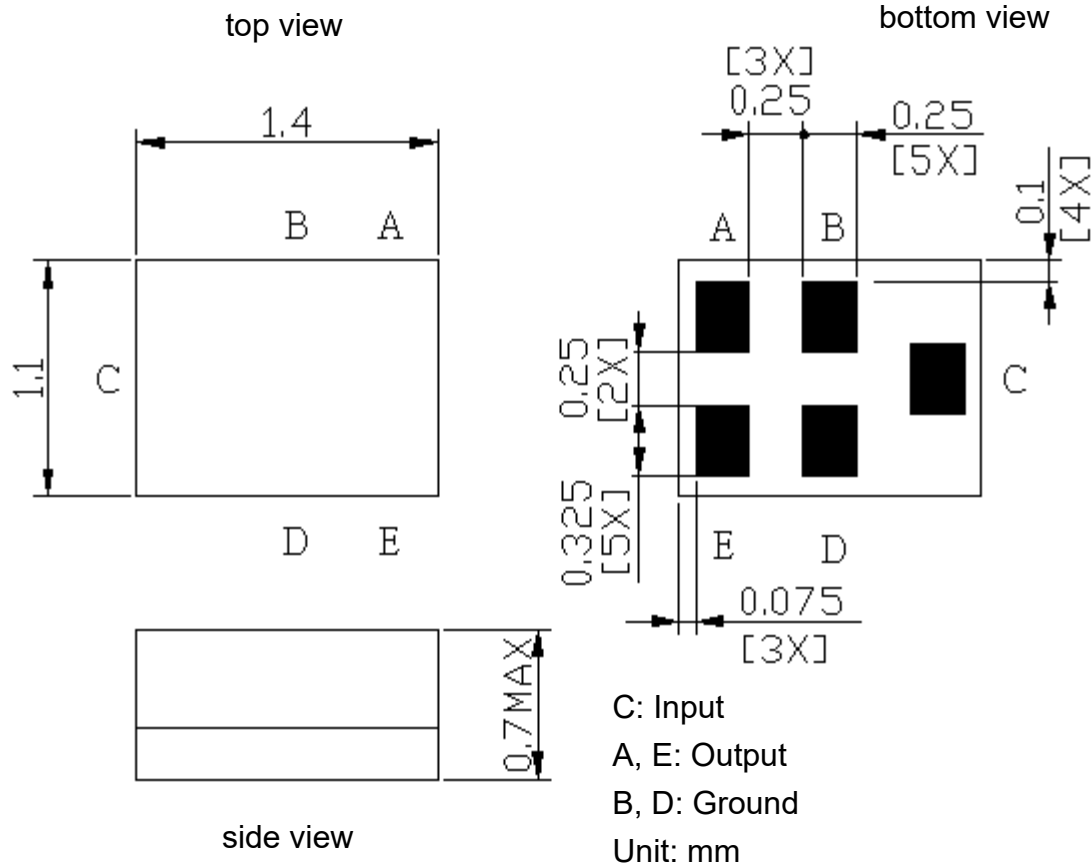
SAW Filter: 2345.0MHz

Model: TA1704A

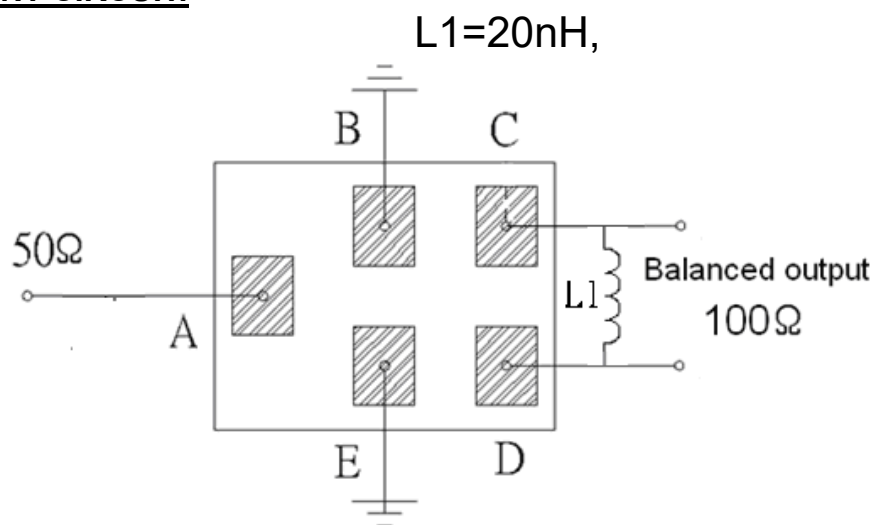
Part No: MP10554

Rev No: 1

C. OUTLINE DRAWING:



D. MEASUREMENT CIRCUIT:

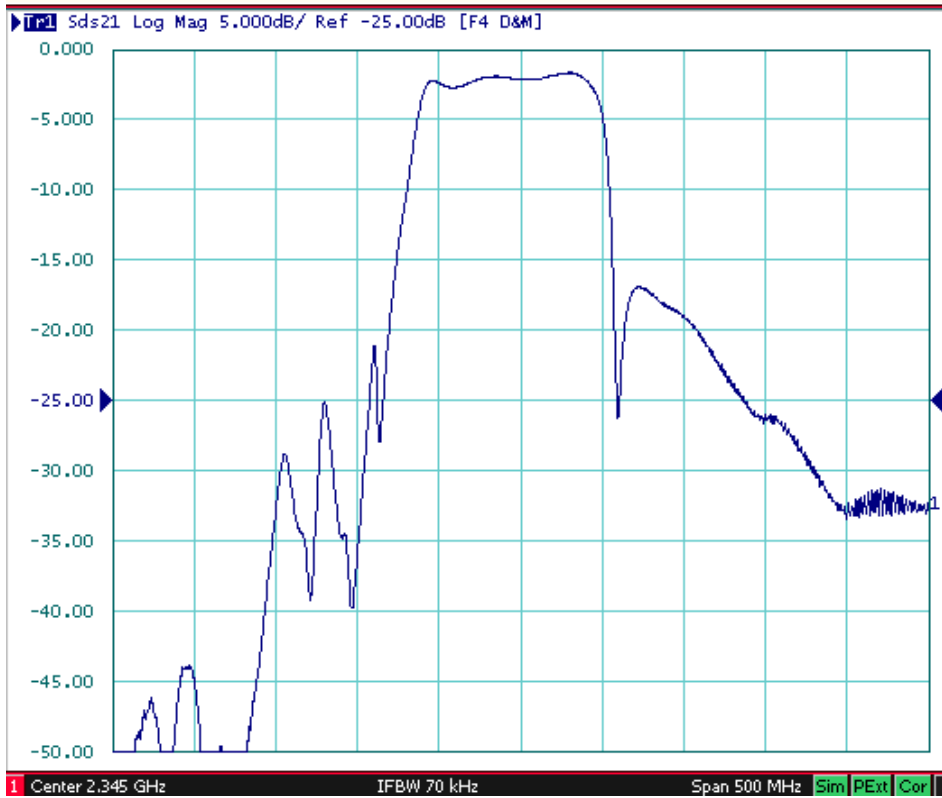


SAW Filter: 2345.0MHz
Part No: MP10554

Model: TA1704A
Rev No: 1

E. FREQUENCY CHARACTERISTICS:

1. S21 response: (span 500MHz)



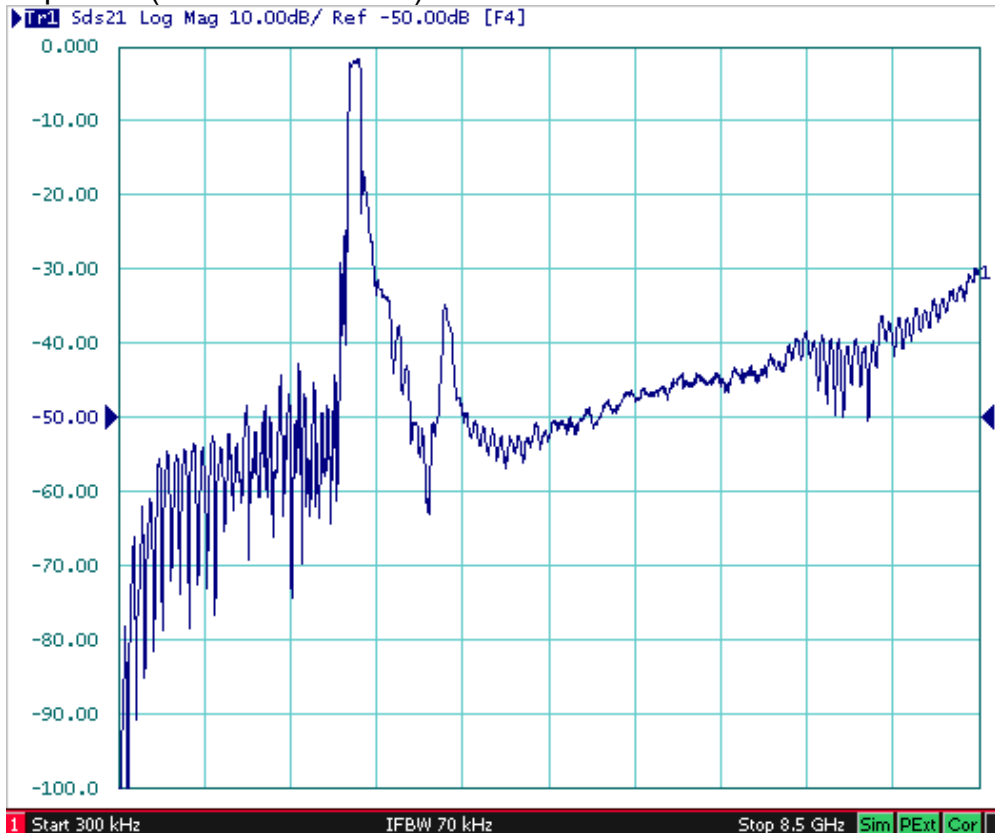
2. S21 response: (span 200MHz)



SAW Filter: 2345.0MHz
Part No: MP10554

Model: TA1704A
Rev No: 1

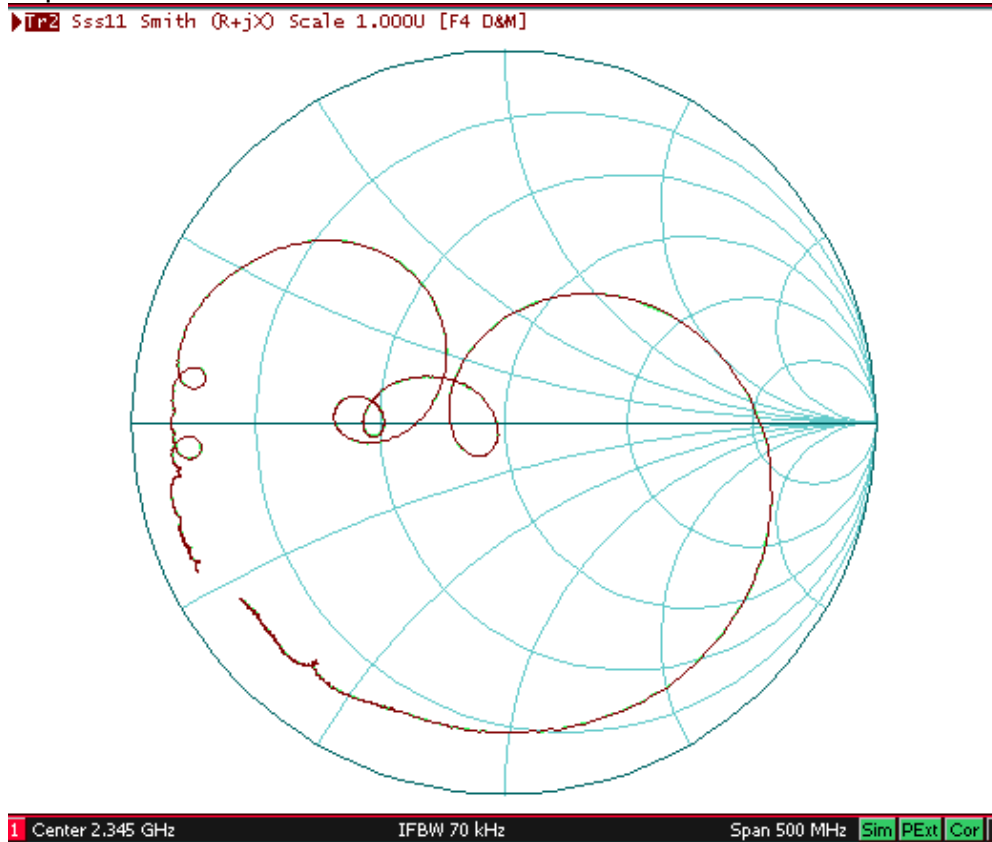
3. S21 response: (300kHz ~ 8.5GHz)



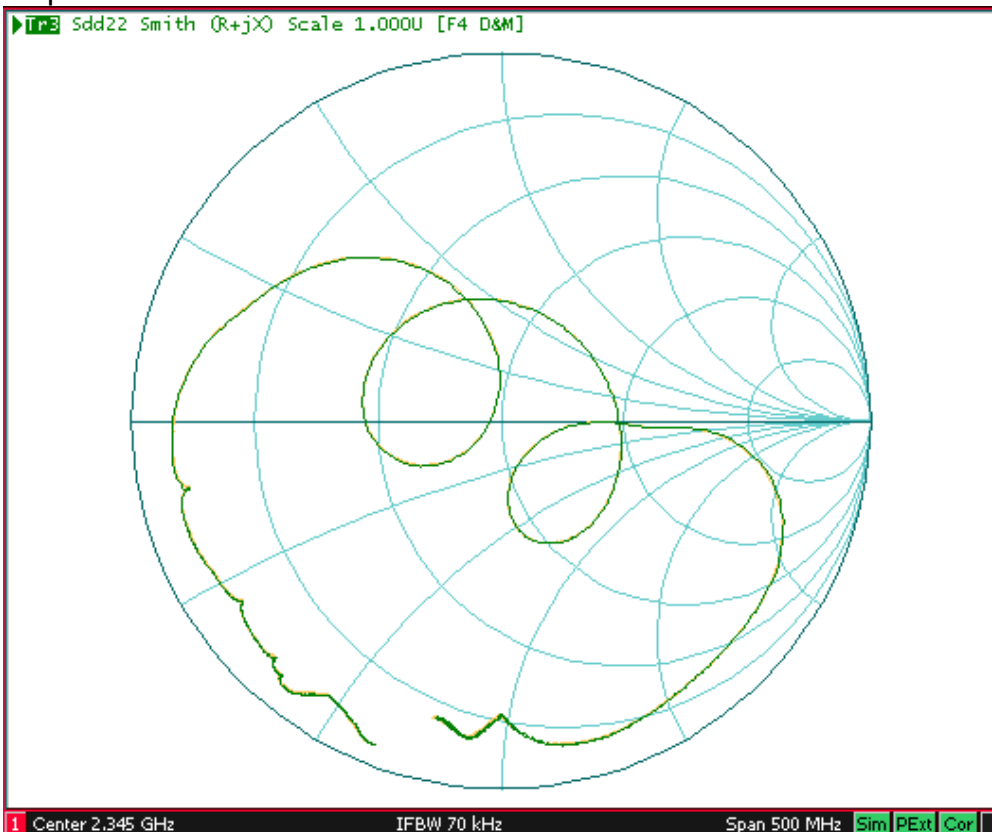
SAW Filter: 2345.0MHz
Part No: MP10554

Model: TA1704A
Rev No: 1

4. S11 response



5. S22 response

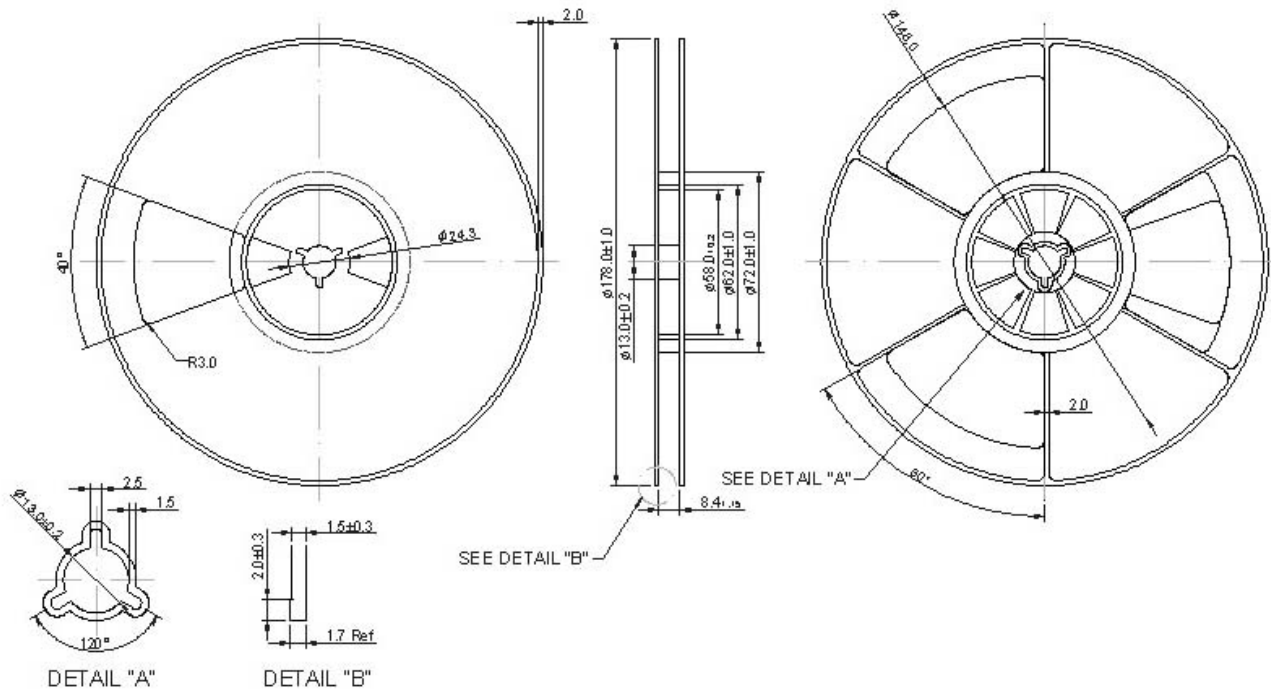


SAW Filter: 2345.0MHz
Part No: MP10554

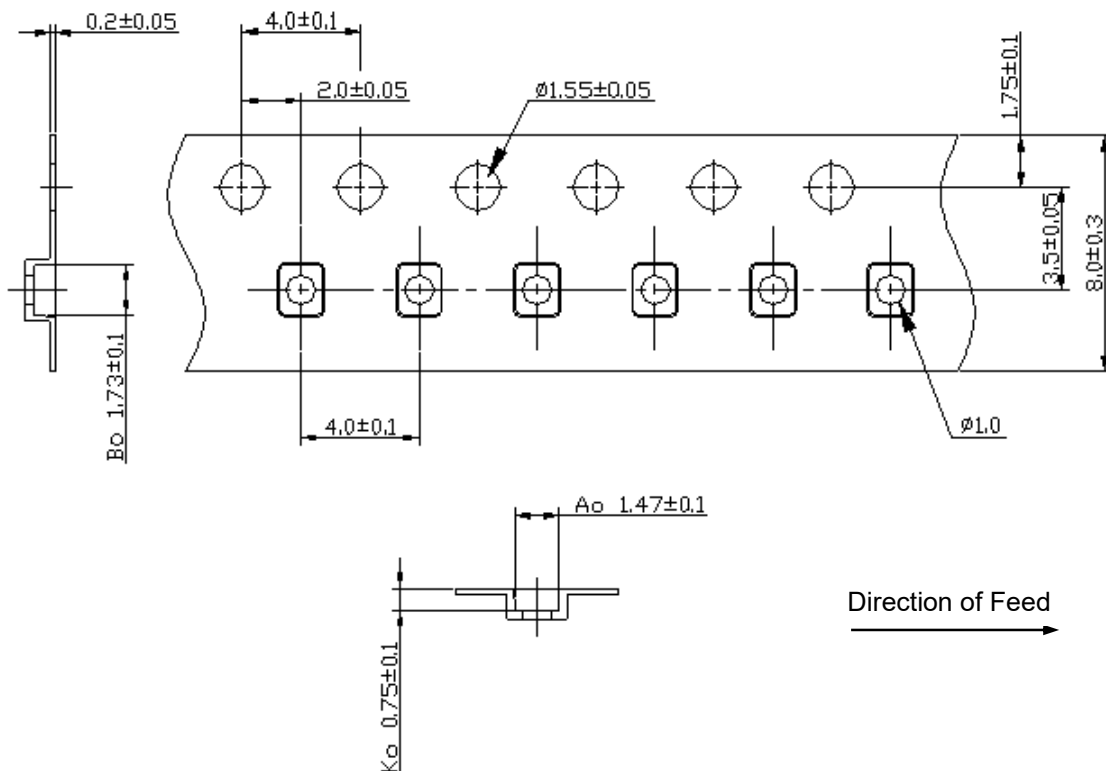
Model: TA1704A
Rev No: 1

F. PACKING:

1. Reel Dimensions



2. Tape Dimensions



SAW Filter: 2345.0MHz
Part No: MP10554

Model: TA1704A
Rev No: 1

G. RECOMMENDED REFLOW PROFILE:

