

SAW Filter 1265.0MHz
Part No: MP09865

Model: TA2414A
Rev No: 1

A. MAXIMUM RATING:

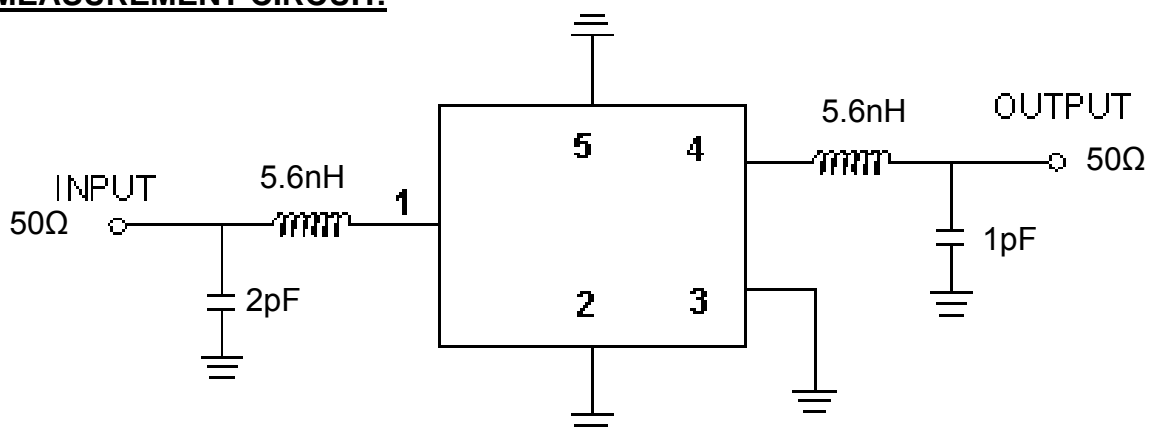
Electrostatic Sensitive Device (ESD)

1. Input Power Level: 10dBm
2. DC voltage: 3V
3. Operating Temperature: -40°C to +85°C
4. Storage Temperature: -40°C to +85°C
5. Moisture Sensitivity Level: Level 3 (MSL3)

B. ELECTRICAL CHARACTERISTICS:

Item	Unit	Min.	Typ.	Max.
Center frequency Fc	MHz	-	1265	-
Insertion Loss (1240 ~ 1290MHz) IL	dB	-	2.0	3.2
Amplitude Ripple (1240 ~ 1290MHz)	dB	-	0.5	2.0
Group Delay	ns	-	14	25
Group Delay Ripple (1240 ~ 1290MHz)	ns	-	11	40
VSWR (1240 ~ 1290MHz)	-	-	1.6	2.4
Attenuation (Reference level from 0dB)				
1315MHz	dB	20	44	-
Temperature coefficient of frequency	ppm/k	-	-36	-

C. MEASUREMENT CIRCUIT:

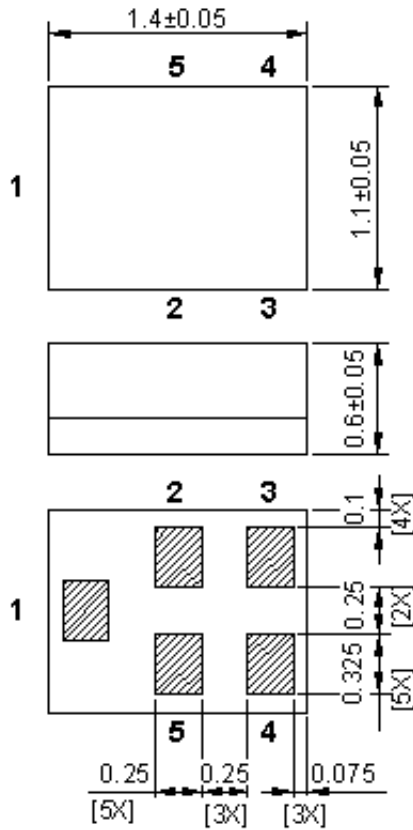


1: Unbalanced Port
 4: Unbalanced Port
 Others: Ground

SAW Filter 1265.0MHz
Part No: MP09865

Model: TA2414A
Rev No: 1

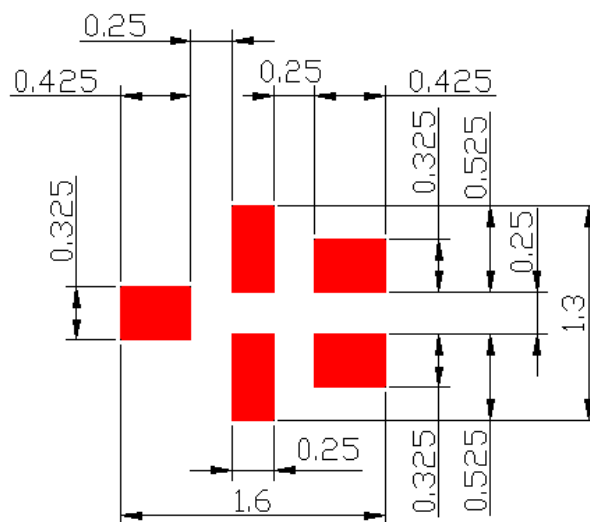
D. OUTLINE DRAWING:



All tolerances are +/-0.05 mm unless otherwise specified
 Coplanarity : 0.1 mm max.
 1 to 5 : Pin No.
 Unit : mm

Pin No.	Symbol	Function
1	IN	Input
2	GND	Ground
3	GND	Ground
4	OUT	Output
5	GND	Ground

E. PCB FOOTPRINT:

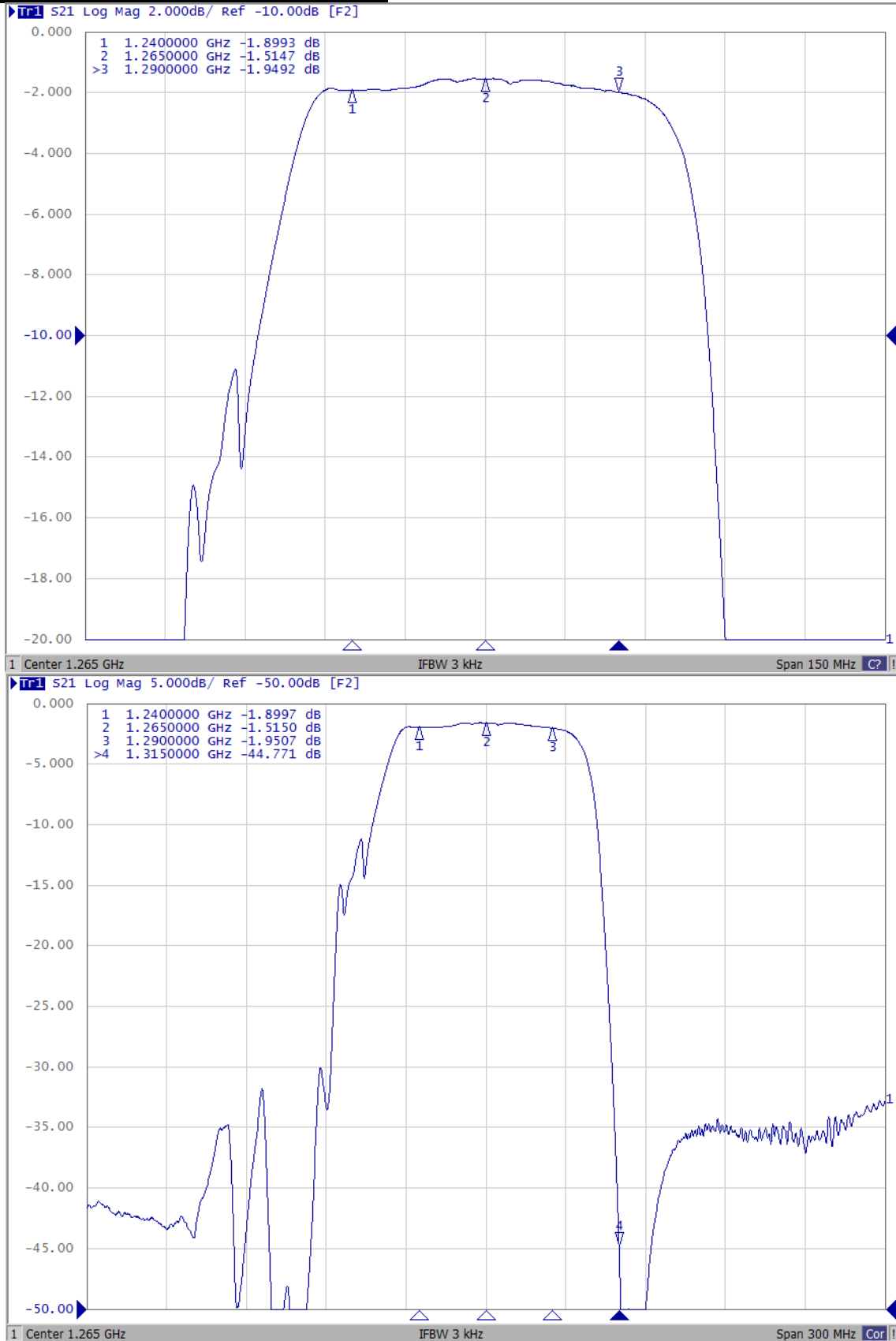


: Land Pattern
 Unit : mm

SAW Filter 1265.0MHz
Part No: MP09865

Model: TA2414A
Rev No: 1

F. FREQUENCY CHARACTERISTICS:

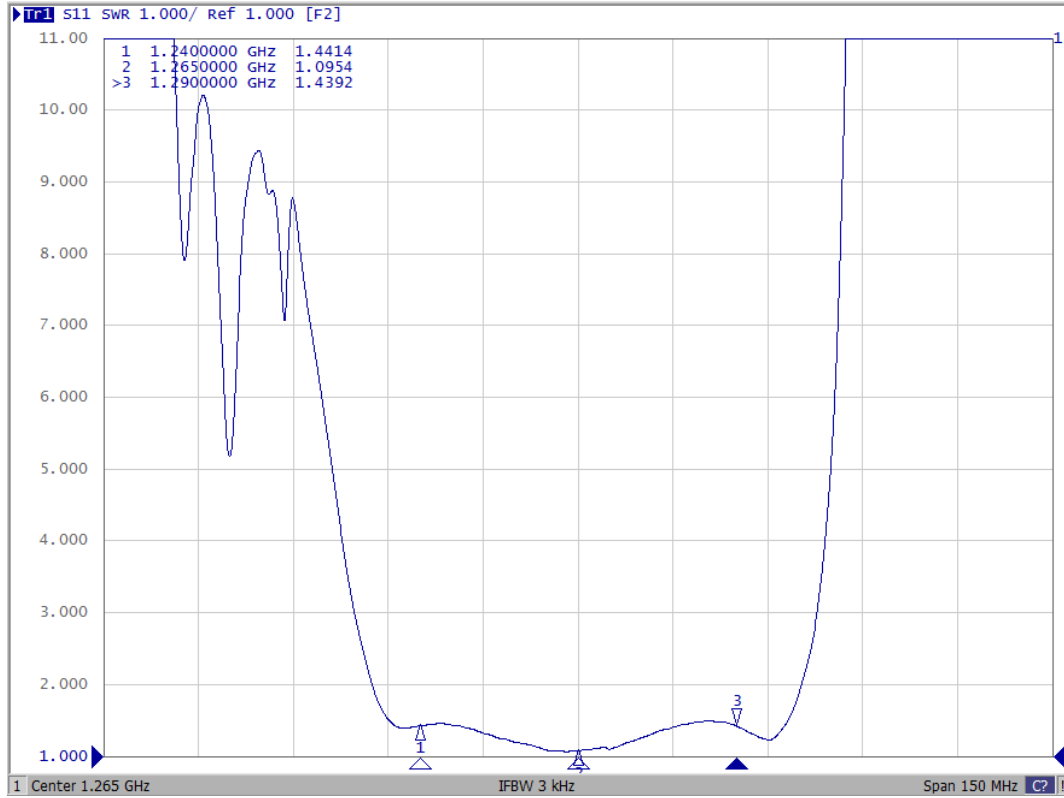


SAW Filter 1265.0MHz
Part No: MP09865

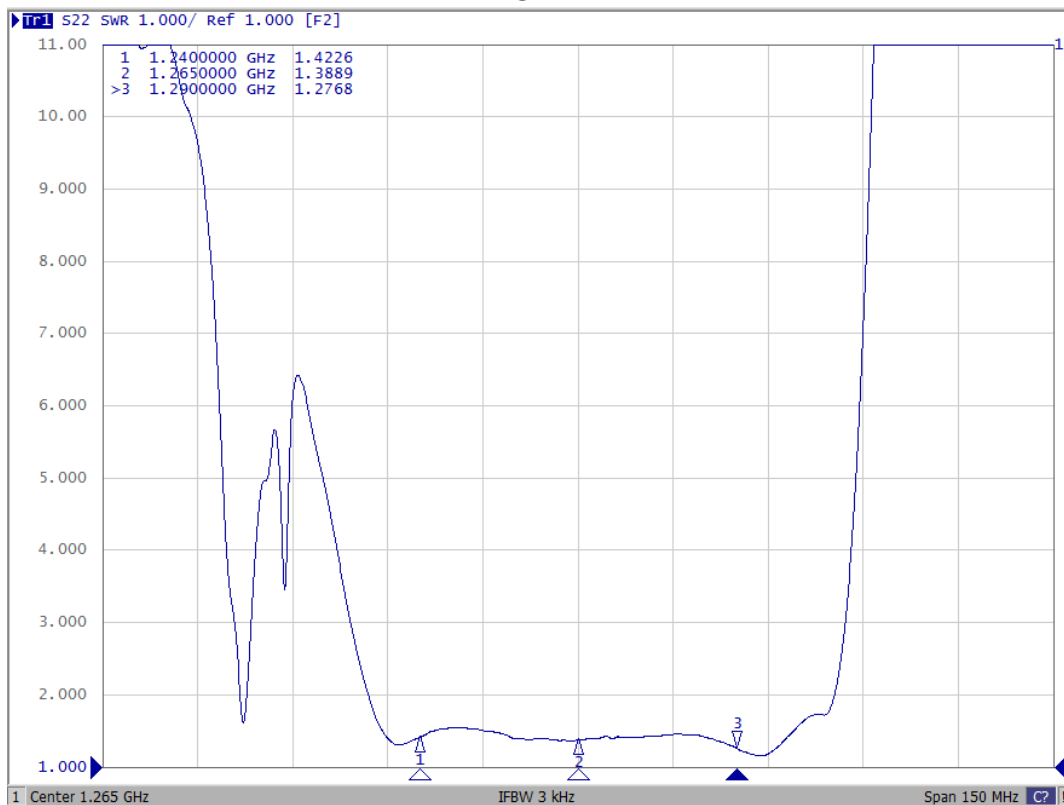
Model: TA2414A
Rev No: 1

Reflection Functions:

S11



S22

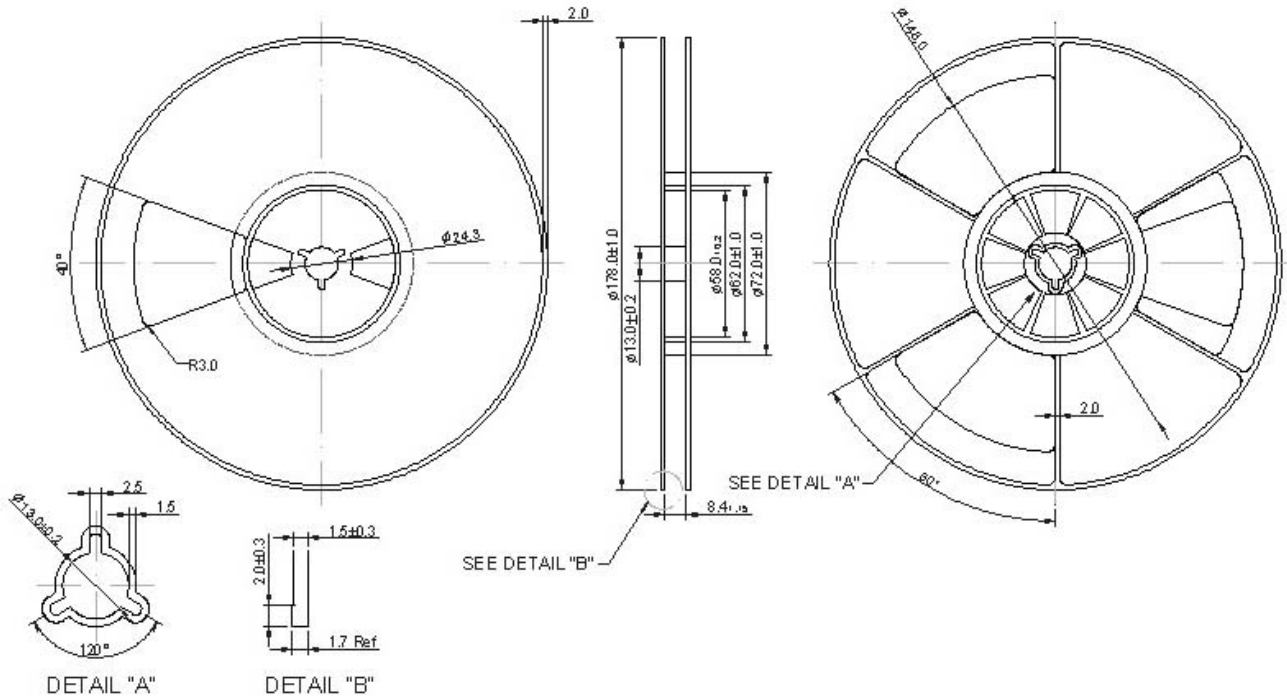


SAW Filter 1265.0MHz
Part No: MP09865

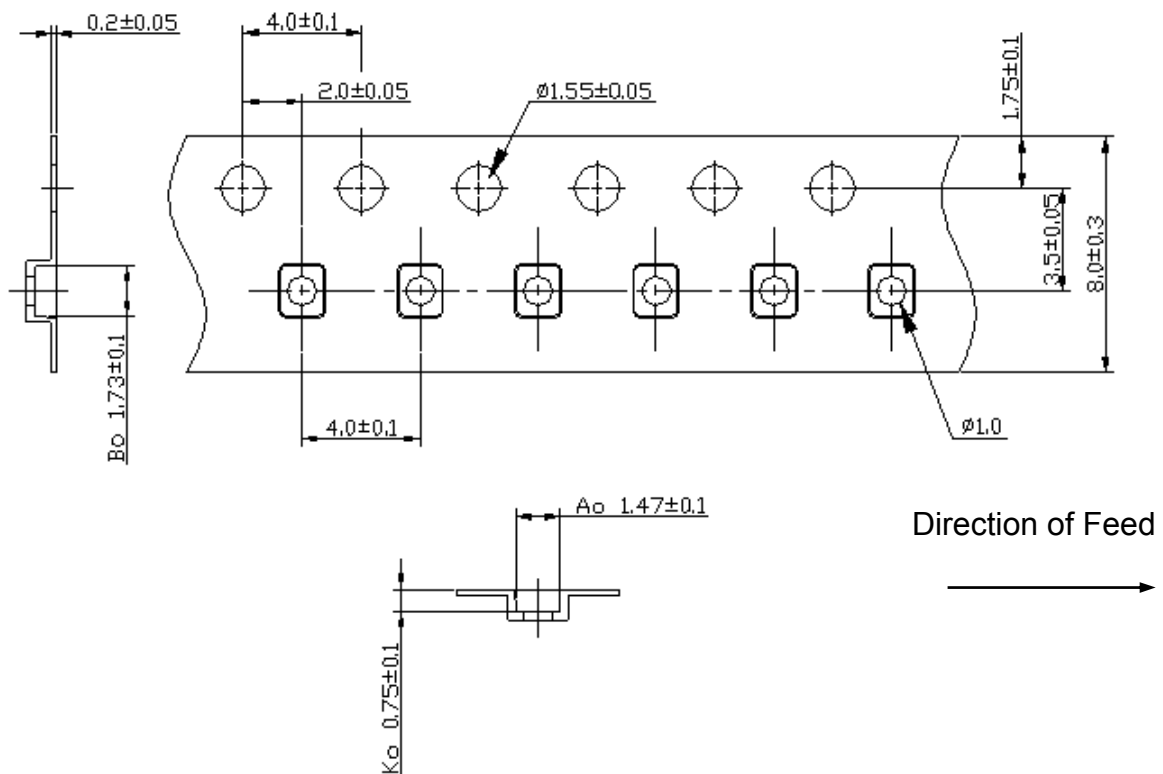
Model: TA2414A
Rev No: 1

G. PACKING:

1. Reel Dimension



2. Tape Dimension



SAW Filter 1265.0MHz
Part No: MP09865

Model: TA2414A
Rev No: 1

H. RECOMMENDED REFLOW PROFILE:

1. Preheating shall be fixed at 150 ~ 180°C for 60 ~ 90 seconds.
2. Ascending time to preheating temperature 150°C shall be 30 seconds min.
3. Heating shall be fixed at 220°C for 50 ~ 80 seconds and at 260°C +0/-5°C peak (20 ~ 40 sec).
4. Time: 2 times.

