

SAW Filter 2468.0MHz
Part No: MP09811

Model: TA1296A
Rev No: 1

A. MAXIMUM RATING:

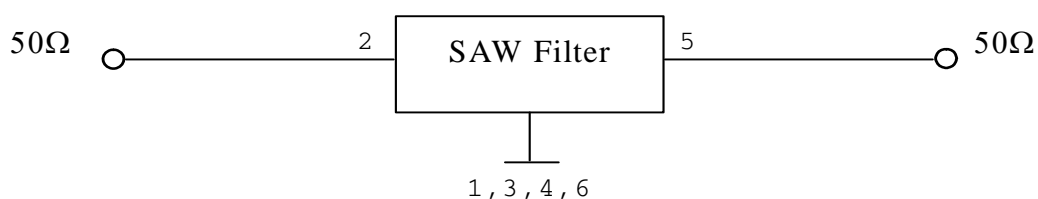
1. Input Power Level: 13dBm
2. DC Voltage: 0V
3. Operating Temperature: -30°C to +80°C
4. Storage Temperature: -40°C to +85°C

B. ELECTRICAL CHARACTERISTICS:

Item	Unit	Min.	Typ.	Max.	Note
Center Frequency Fc	MHz	-	2468	-	-
Insertion Loss (2441 ~ 2495MHz) IL	dB	-	2.6	3.5	-
Amplitude Ripple (2441 ~ 2495MHz)	dB	-	0.9	2.2	-
VSWR (2441 ~ 2495MHz)		-	1.6	2.5	-
Attenuation (Reference level from 0dB)					
2100 ~ 2300MHz	dB	35	46	-	-
2300 ~ 2400MHz	dB	15	22	-	-
2550 ~ 2800MHz	dB	40	47	-	-
Temperature Coefficient of Frequency	ppm/°C	-	-36	-	-

C. MEASUREMENT CIRCUIT:

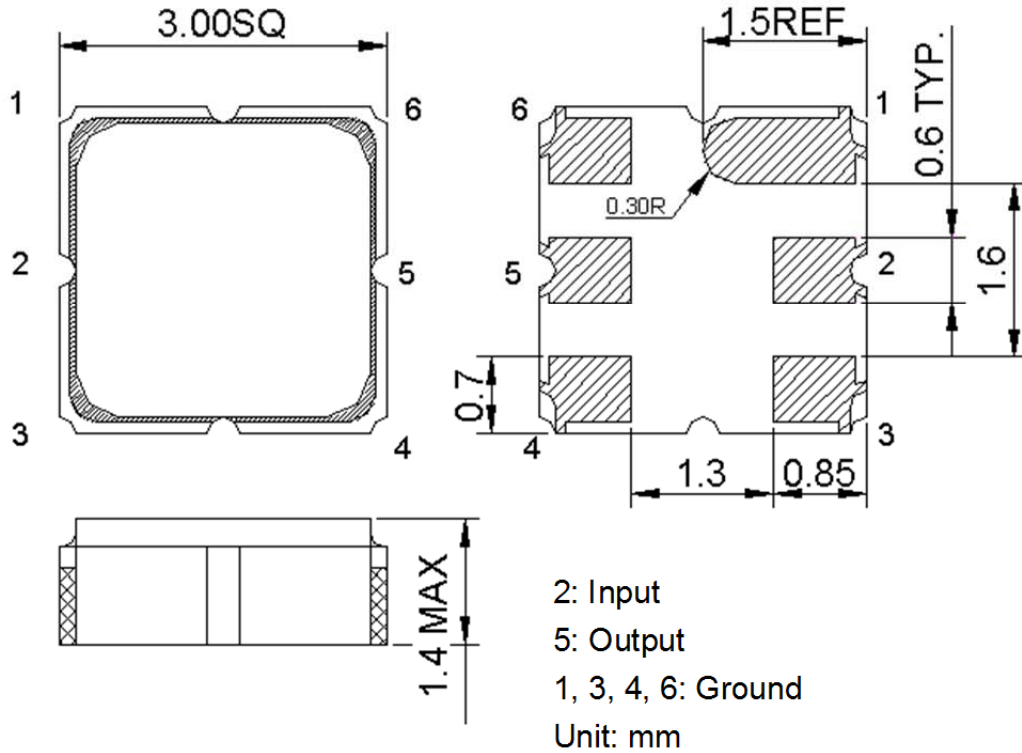
HP Network analyzer



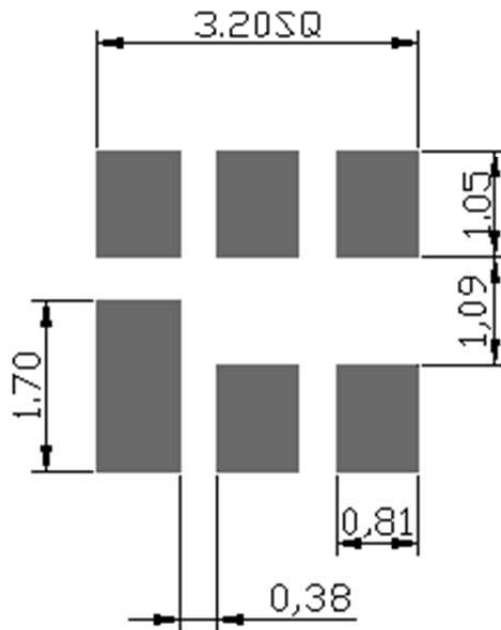
SAW Filter 2468.0MHz
Part No: MP09811

Model: TA1296A
Rev No: 1

D. OUTLINE DRAWING:



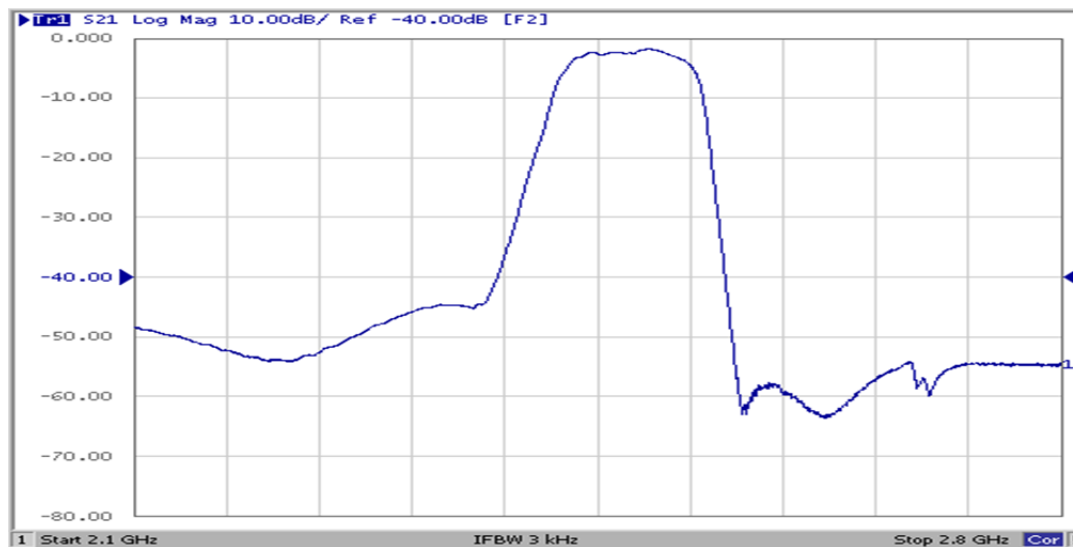
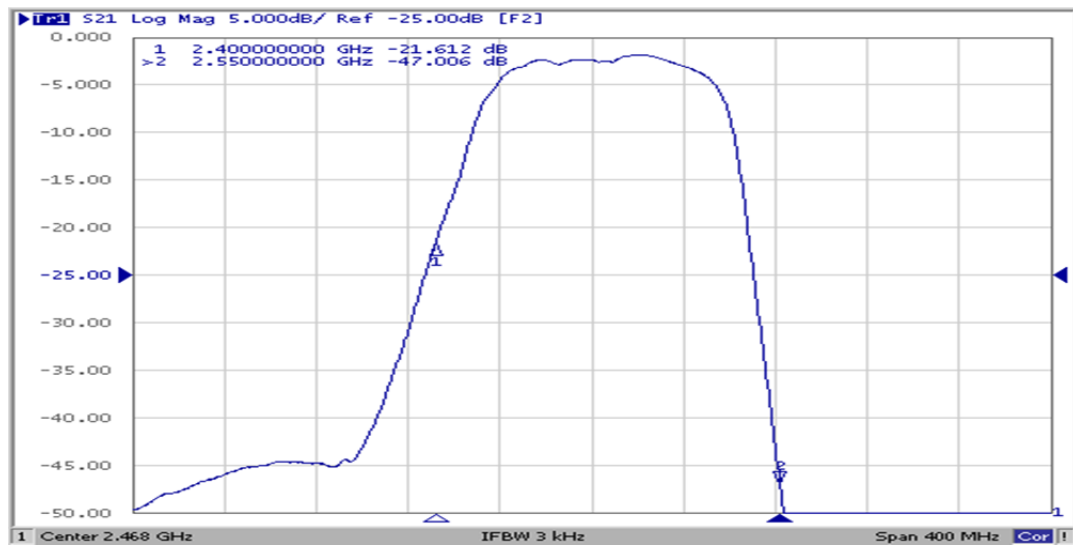
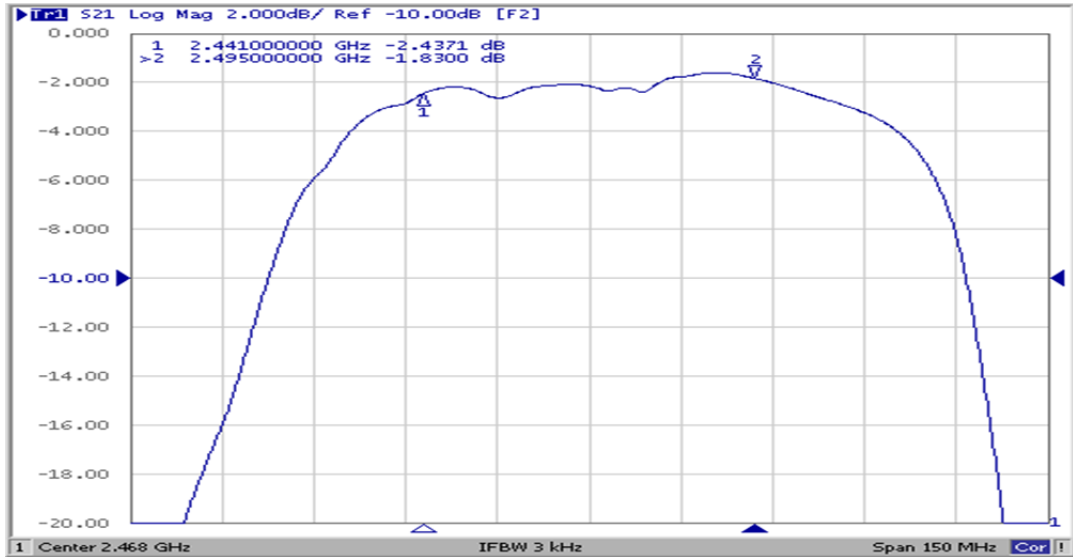
E. PCB FOOTPRINT:



SAW Filter 2468.0MHz
Part No: MP09811

Model: TA1296A
Rev No: 1

F. FREQUENCY CHARACTERISTICS:

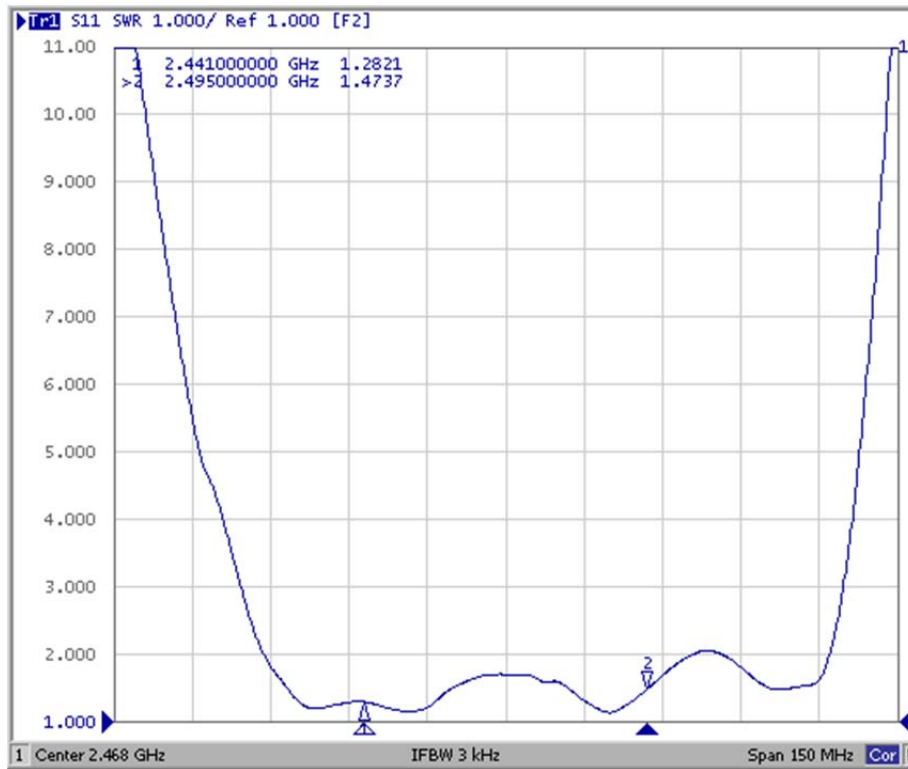


SAW Filter 2468.0MHz
Part No: MP09811

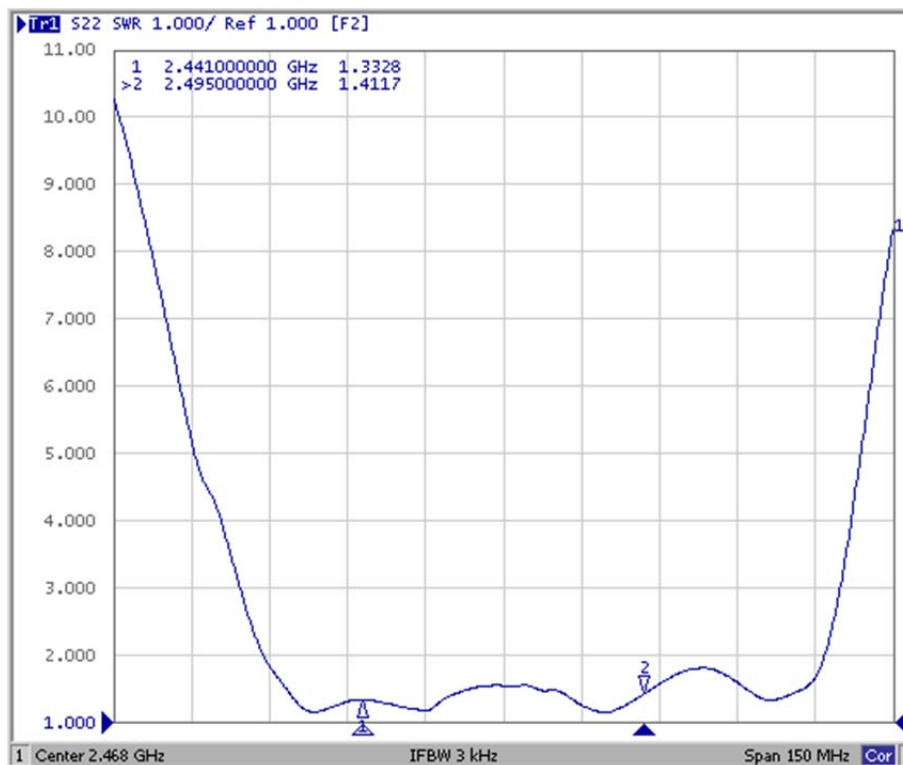
Model: TA1296A
Rev No: 1

Reflection Functions:

S11



S22

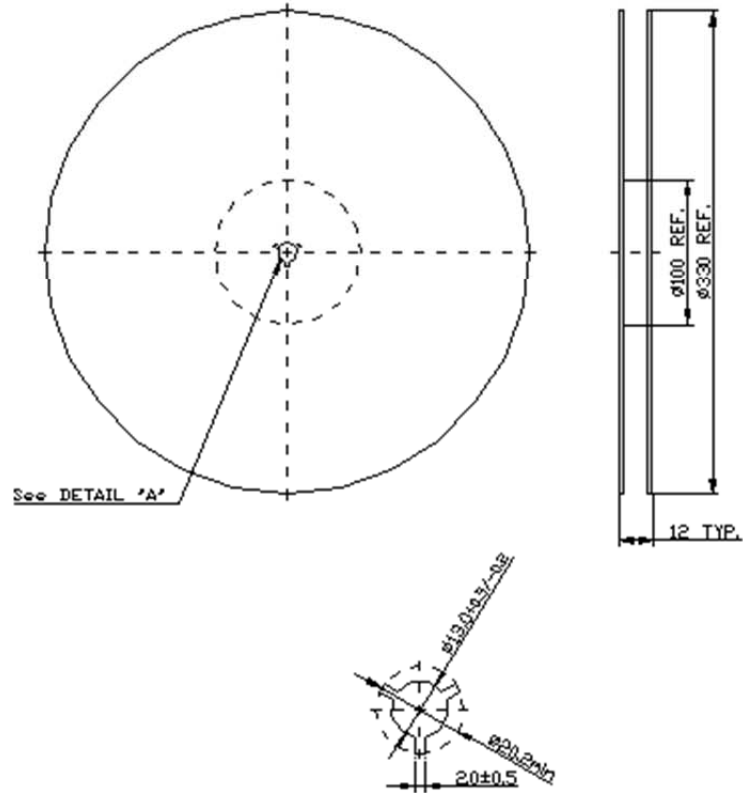


SAW Filter 2468.0MHz
Part No: MP09811

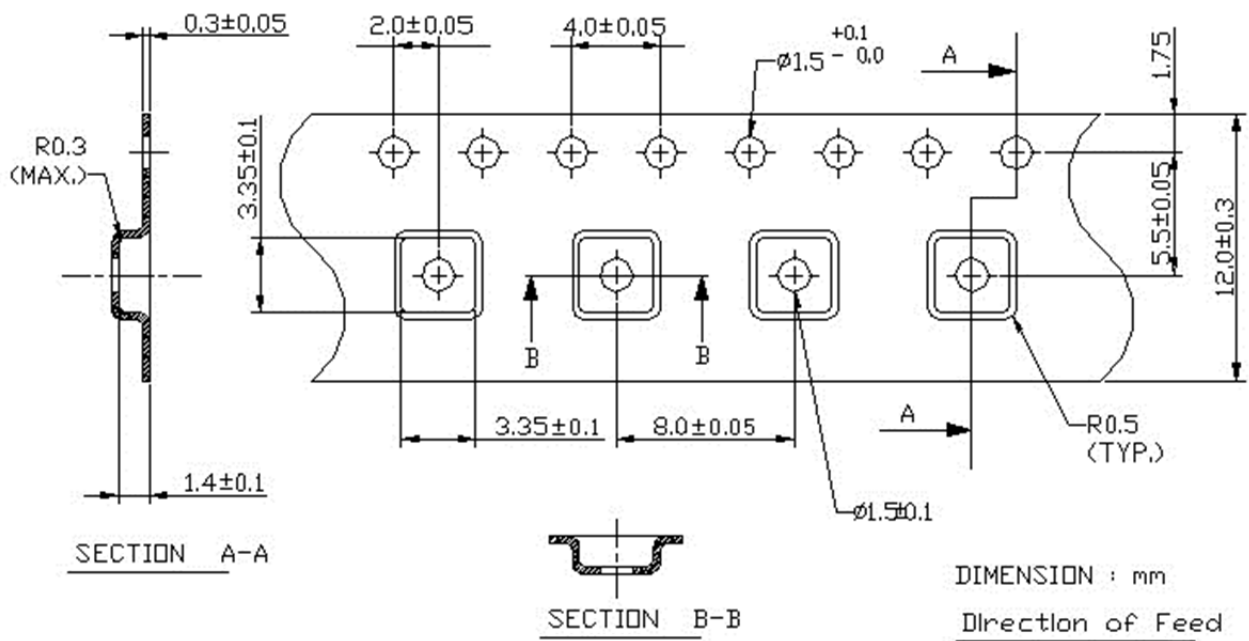
Model: TA1296A
Rev No: 1

G. PACKING:

1. Reel Dimension



2. Tape Dimension



SAW Filter 2468.0MHz
Part No: MP09811

Model: TA1296A
Rev No: 1

H. RECOMMENDED REFLOW PROFILE:

