

SAW Filter 437.50MHz

Model: TA2320A

Part No: MP09961

Rev No: 1

A. MAXIMUM RATING:

Electrostatic Sensitive Device (ESD)

1. Input Power Level: 20dBm
2. DC Voltage: 3V
3. Operating Temperature: -40°C to +85°C
4. Storage Temperature: -40°C to +85°C
5. Moisture Sensitivity Level: Level 1 (MSL1)

B. ELECTRICAL CHARACTERISTICS:

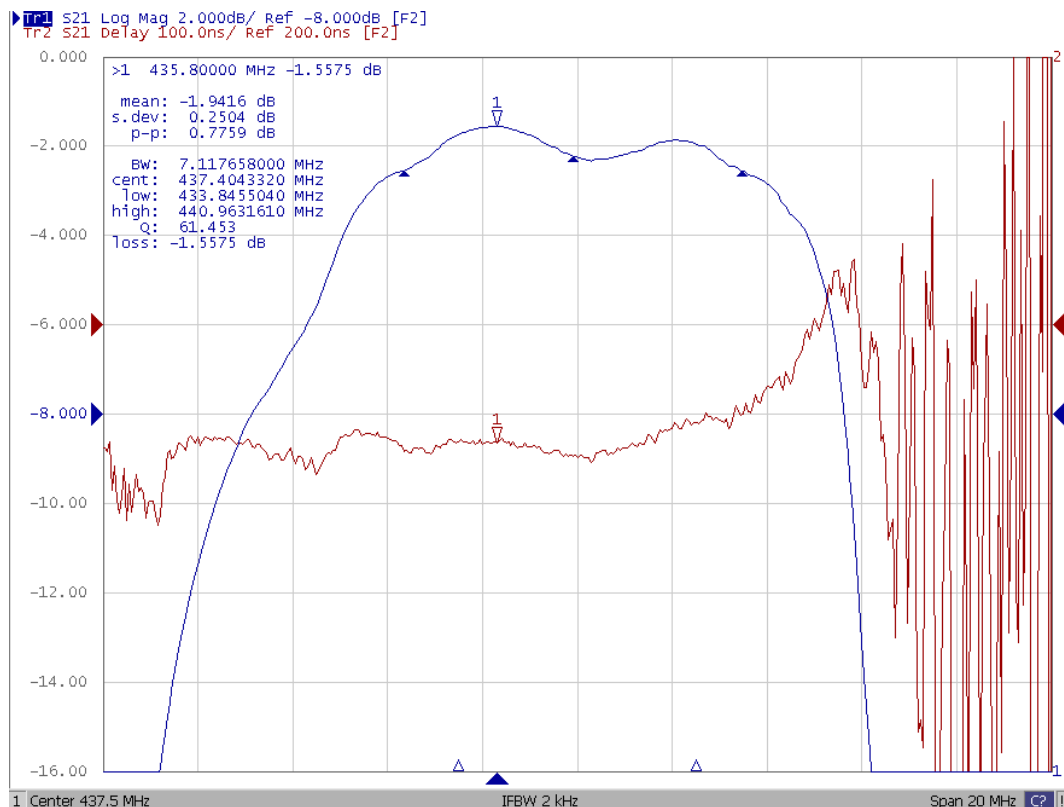
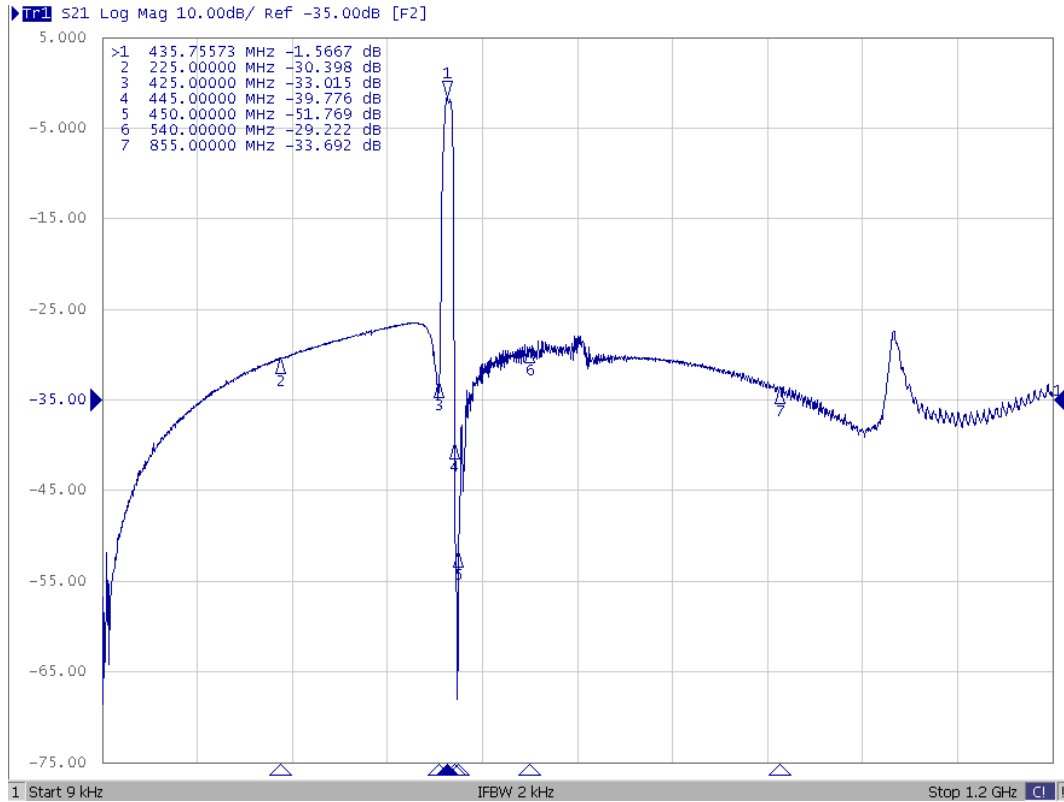
Ambient Temperature: 25°C

Item	Unit	Min.	Typ.	Max.	Note
Center frequency Fc	MHz	-	437.5	-	-
Insertion Loss IL min	dB	-	1.55	2.50	-
VSWR 435 ~ 440MHz	-	-	1.1	2.0	-
Amplitude Ripple 435 ~ 440MHz	dB	-	0.7	1.0	-
Group Delay 435 ~ 440MHz	nS	-	50	150	-
Attenuation:(Reference level from 0dB)					
DC ~ 225.00MHz	dB	28	30	-	-
225.00 ~ 425.00MHz	dB	25	27	-	-
445.50 ~ 450.00MHz	dB	35	37	-	-
450.00 ~ 540.00MHz	dB	25	29	-	-
540.00 ~ 855.00MHz	dB	25	28	-	-
855.00 ~ 1200.00MHz	dB	25	28	-	-
Temperature Coefficient	ppm/°C	-	-32	-	-
Source Impedance	Ohm	-	50	-	-
Load Impedance	Ohm	-	50	-	-

SAW Filter 437.50MHz
Part No: MP09961

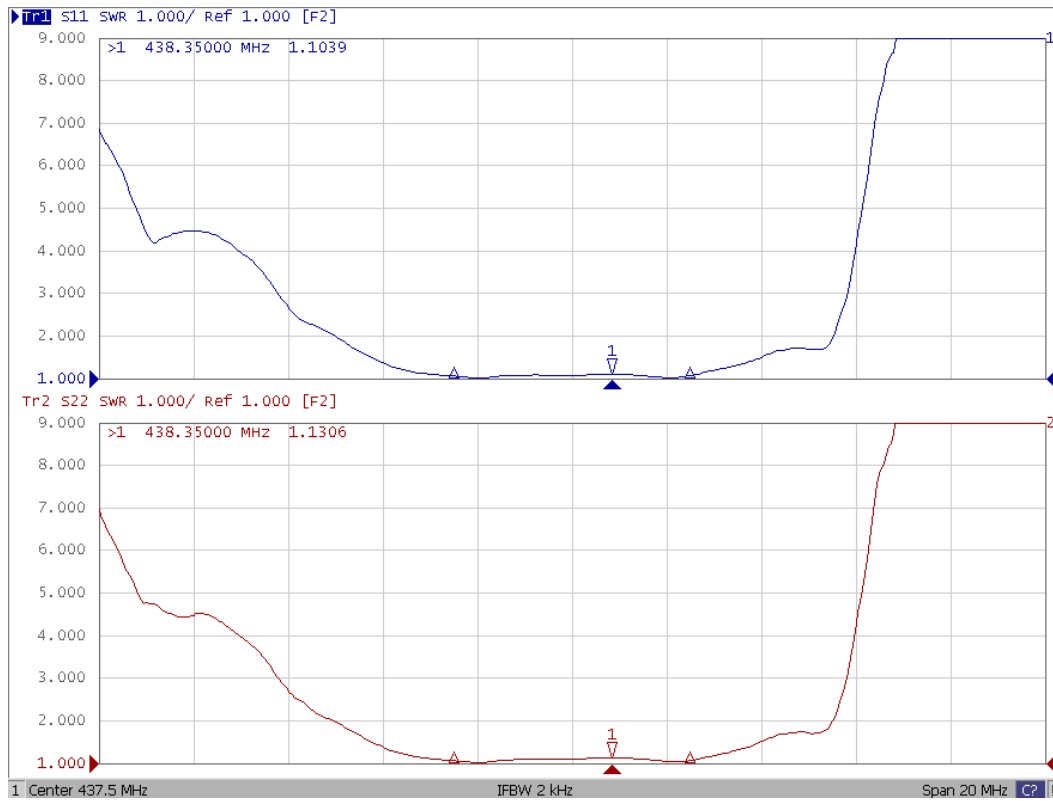
Model: TA2320A
Rev No: 1

C. FREQUENCY CHARACTERISTICS:



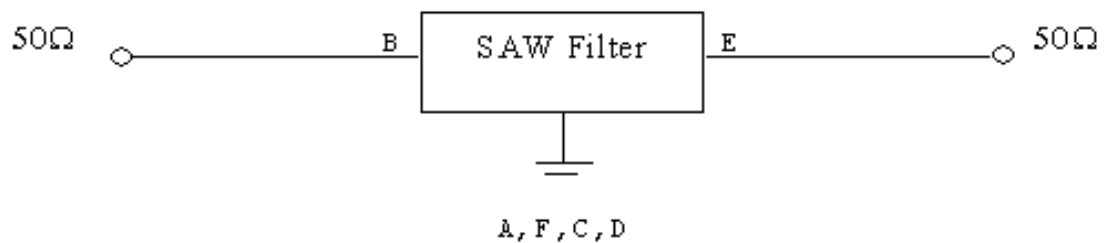
SAW Filter 437.50MHz
Part No: MP09961

Model: TA2320A
Rev No: 1



D. MEASUREMENT CIRCUIT:

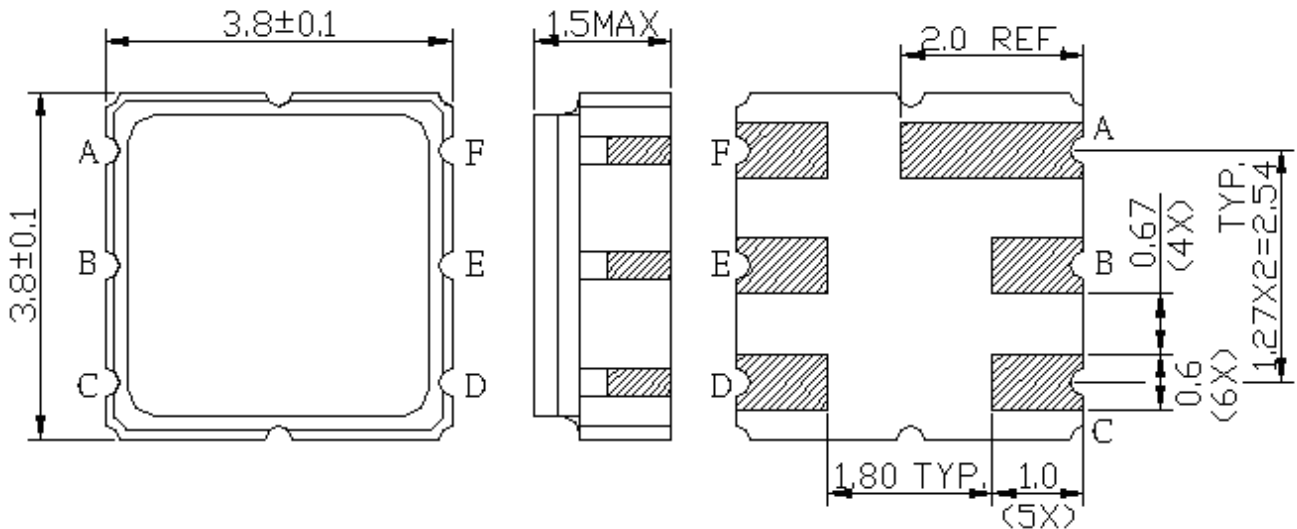
HP Network analyzer



SAW Filter 437.50MHz
Part No: MP09961

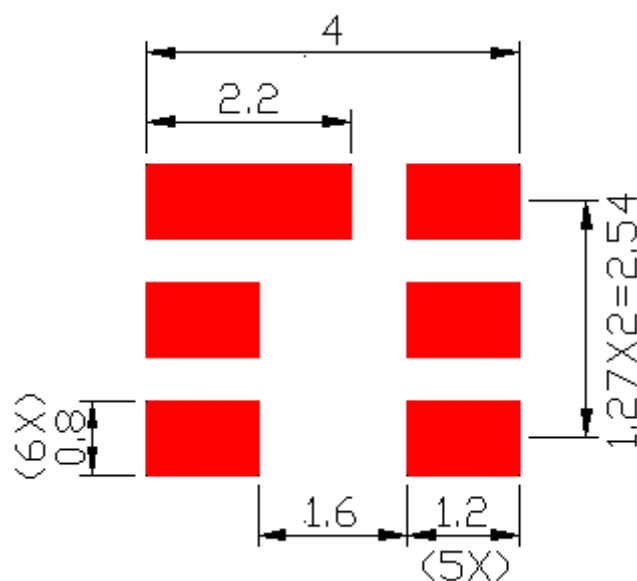
Model: TA2320A
Rev No: 1

E. OUTLINE DRAWING:



B: Input
 E: Output
 Other: Ground
 Unit: mm

F. PCB FOOTPRINT:

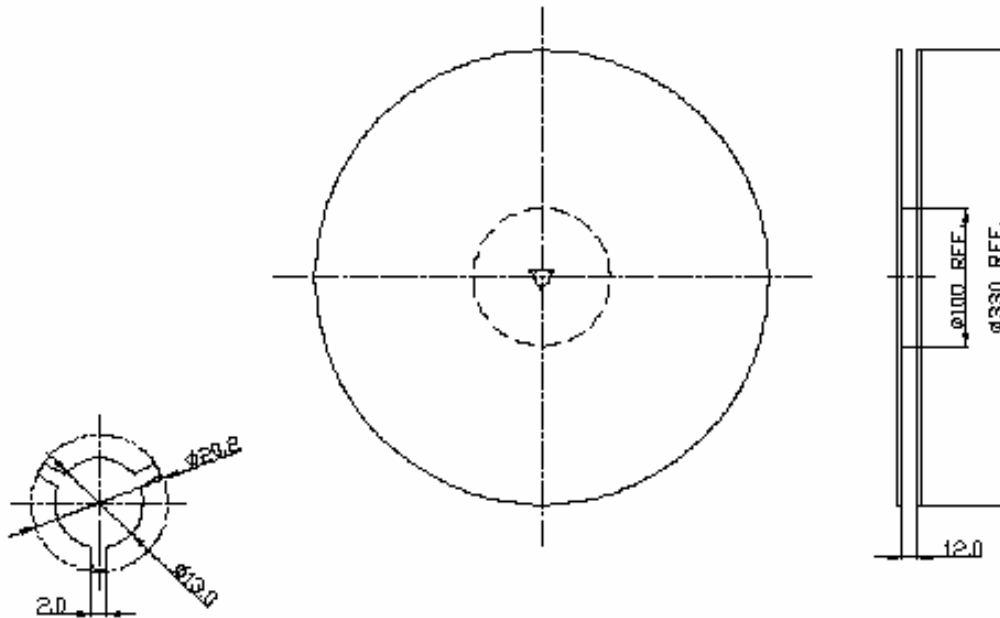


SAW Filter 437.50MHz
Part No: MP09961

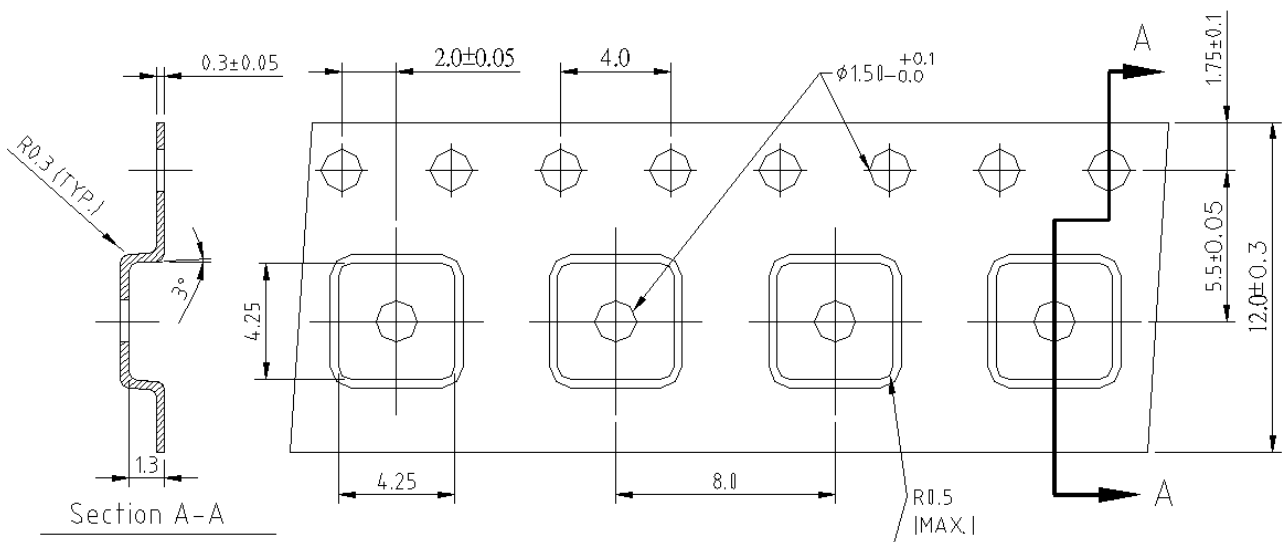
Model: TA2320A
Rev No: 1

G. PACKING:

1. Reel Dimension



2. Tape Dimension



SAW Filter 437.50MHz
Part No: MP09961

Model: TA2320A
Rev No: 1

H. RECOMMENDED REFLOW PROFILE:

1. Preheating shall be fixed at 150 ~ 180°C for 60 ~ 90 seconds.
2. Ascending time to preheating temperature 150°C shall be 30 seconds min.
3. Heating shall be fixed at 220°C for 50 ~ 80 seconds and at 260°C +0/-5°C peak (20 ~ 40 sec).
4. Time: 2 times.

