

SAW Filter 2595.0MHz
Part No: MP09139

Model: TA1236A
Rev No: 1

A. MAXIMUM RATING:

1. Input Power Level: +10dBm
2. DC Voltage: 3V
3. Operating Temperature: -30°C to +85°C
4. Storage Temperature: -40°C to +95°C

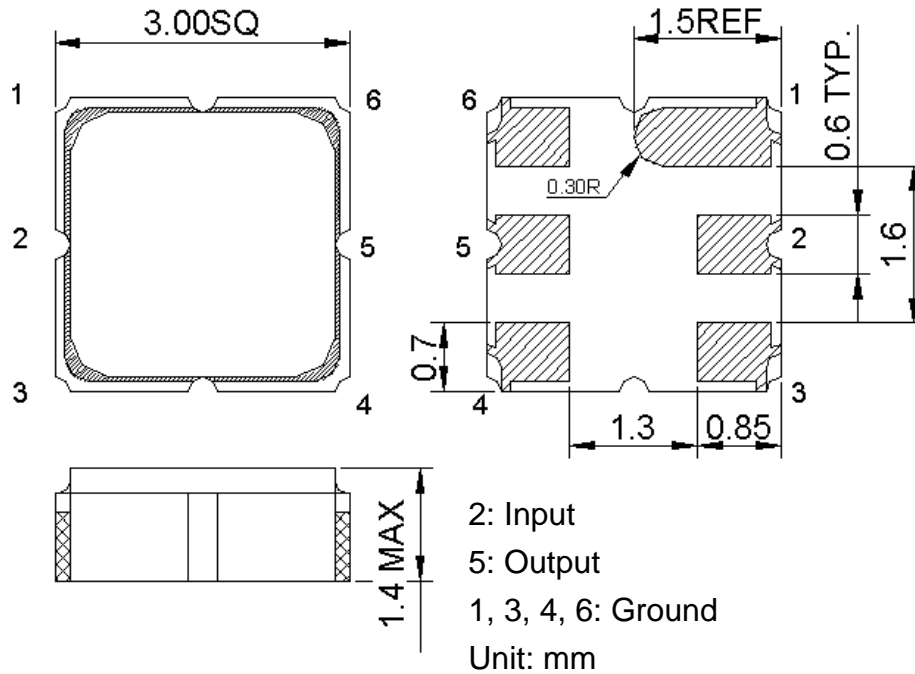
B. ELECTRICAL CHARACTERISTICS:

Item	Unit	Min.	Typ.	Max.	Note
Center Frequency Fc	MHz	-	2595	-	-
Insertion Loss (2575 ~ 2615MHz) IL	dB	-	3.2	4	-
Amplitude Ripple (2575 ~ 2615MHz)	dB	-	1.6	2.2	-
VSWR (2575 ~ 2615MHz)		-	1.4	2.3	-
Attenuation (Reference level from 0dB)					
DC ~ 1100MHz	dB	37	42	-	-
1100 ~ 2100MHz	dB	31	42	-	-
2100 ~ 2465MHz	dB	40	43	-	-
2465 ~ 2530MHz	dB	10	20	-	-
2665 ~ 2675MHz	dB	10	30	-	-
2675 ~ 2695MHz	dB	35	48	-	-
2695 ~ 4000MHz	dB	30	36	-	-
Temperature coefficient of frequency TCf	-36 ppm/K				

SAW Filter 2595.0MHz
Part No: MP09139

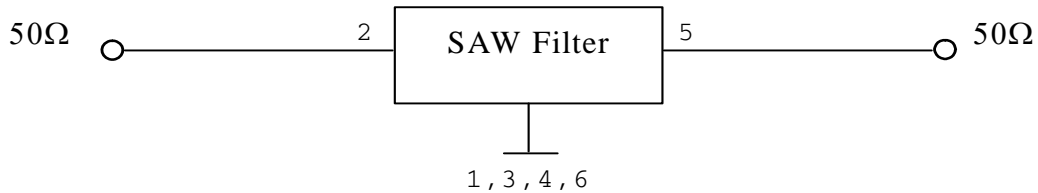
Model: TA1236A
Rev No: 1

C. OUTLINE DRAWING:

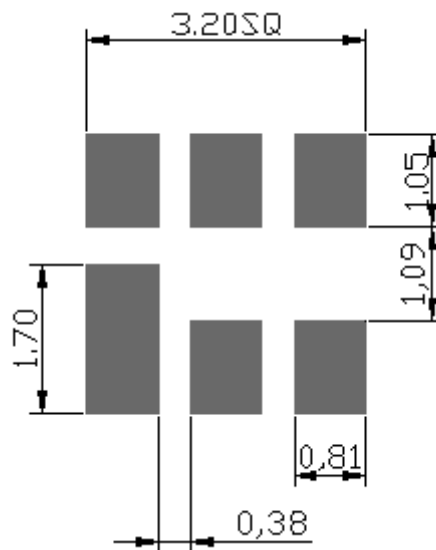


D. MEASUREMENT CIRCUIT:

HP Network analyzer



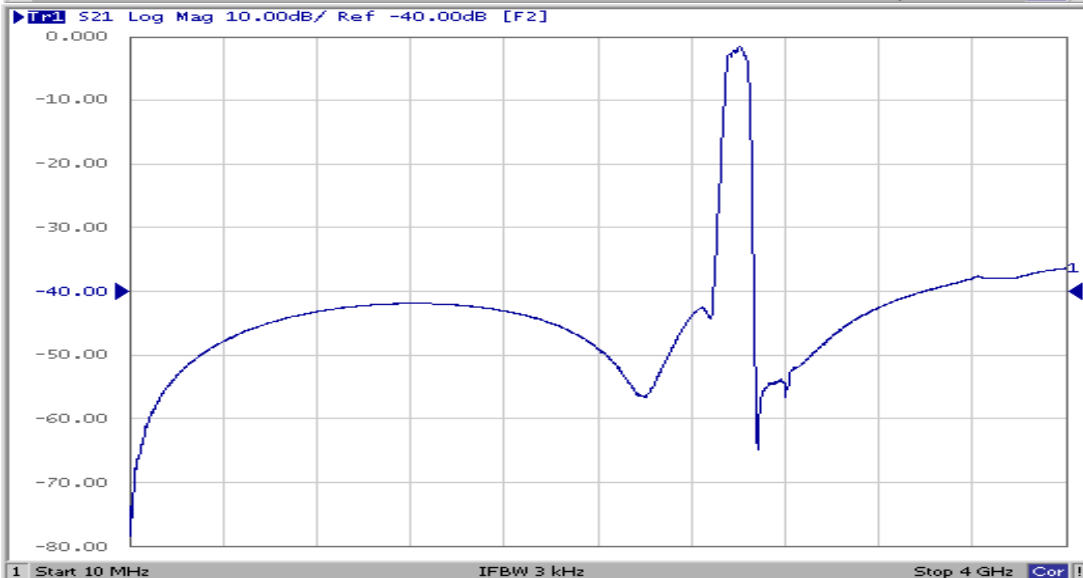
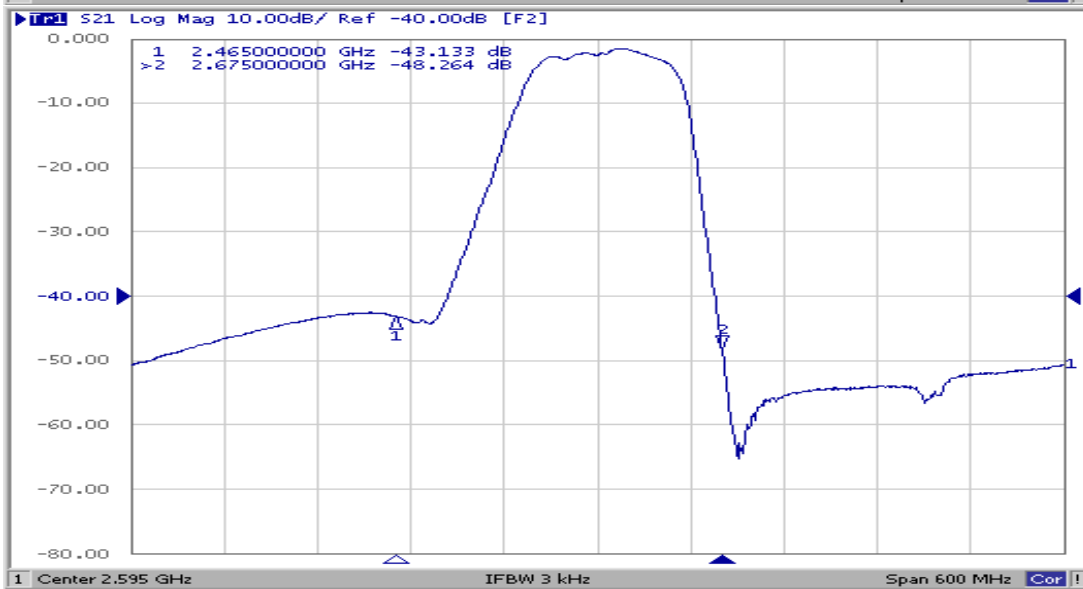
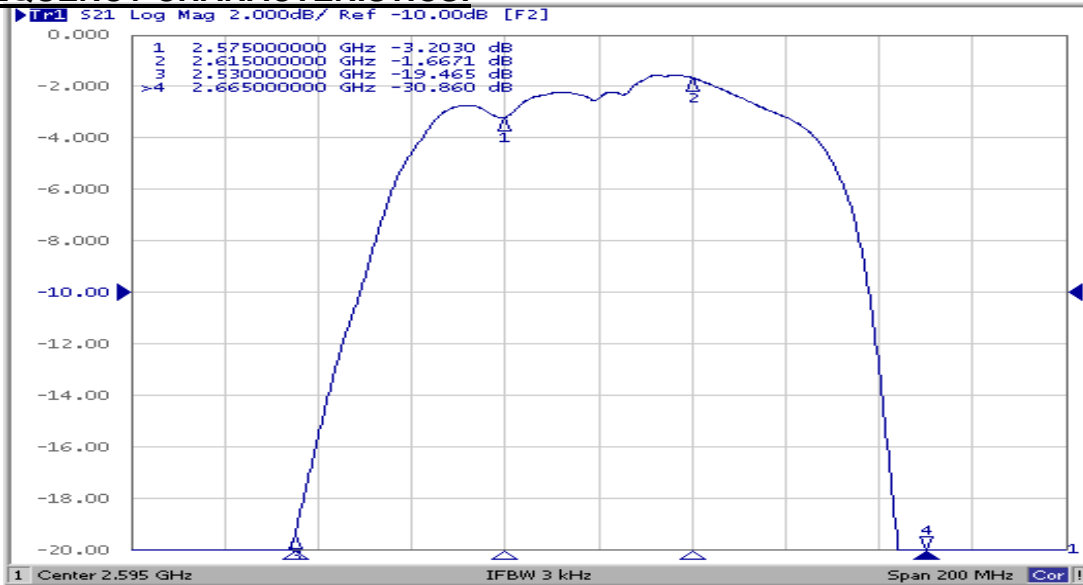
E. PCB FOOTPRINT:



SAW Filter 2595.0MHz
Part No: MP09139

Model: TA1236A
Rev No: 1

F. FREQUENCY CHARACTERISTICS:

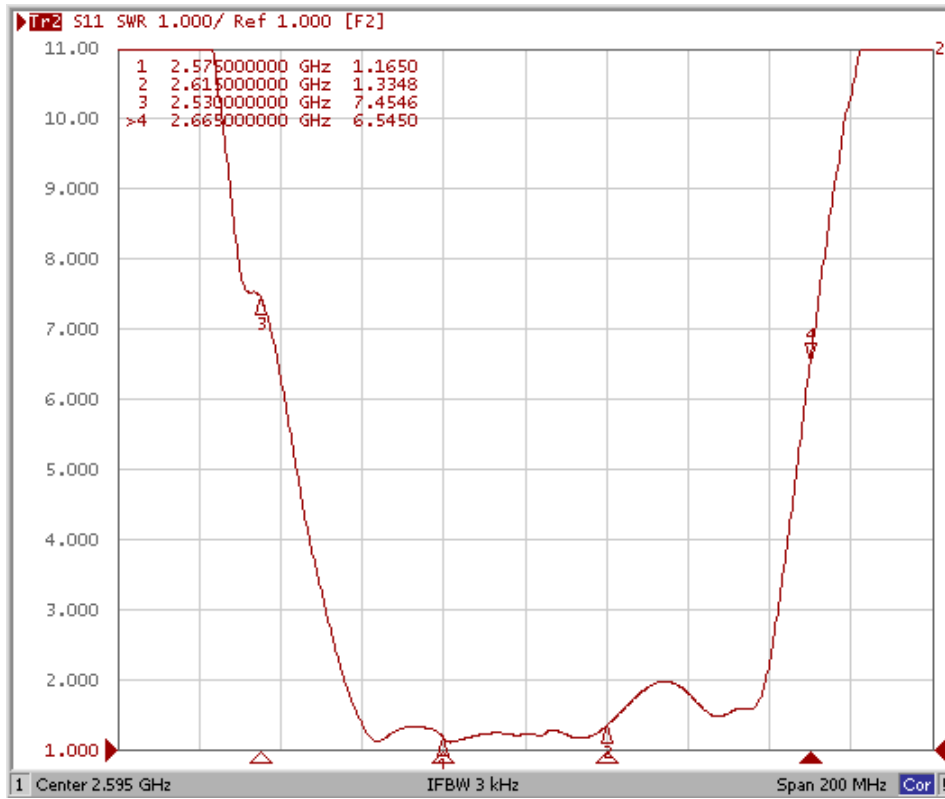


SAW Filter 2595.0MHz
Part No: MP09139

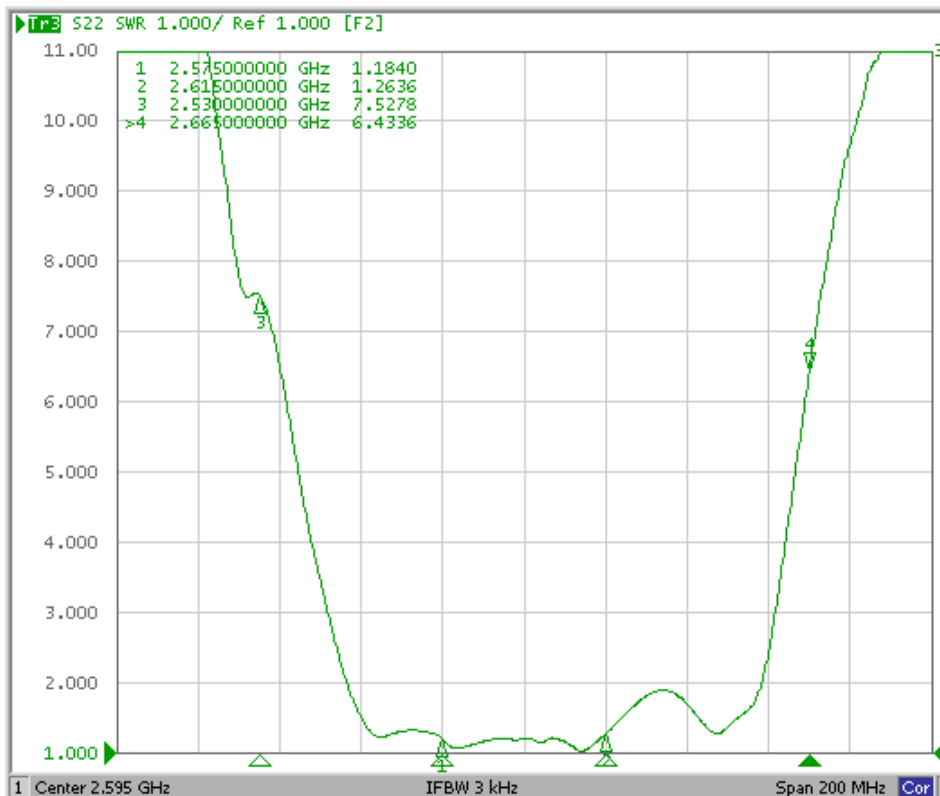
Model: TA1236A
Rev No: 1

Reflection Functions

S11



S22

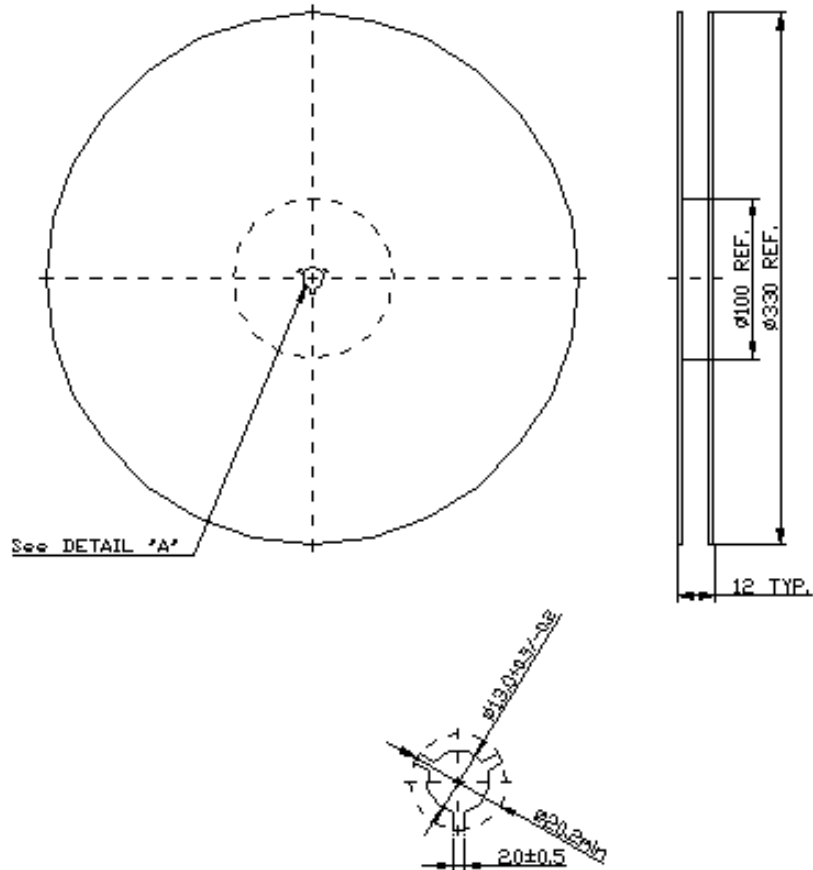


SAW Filter 2595.0MHz
Part No: MP09139

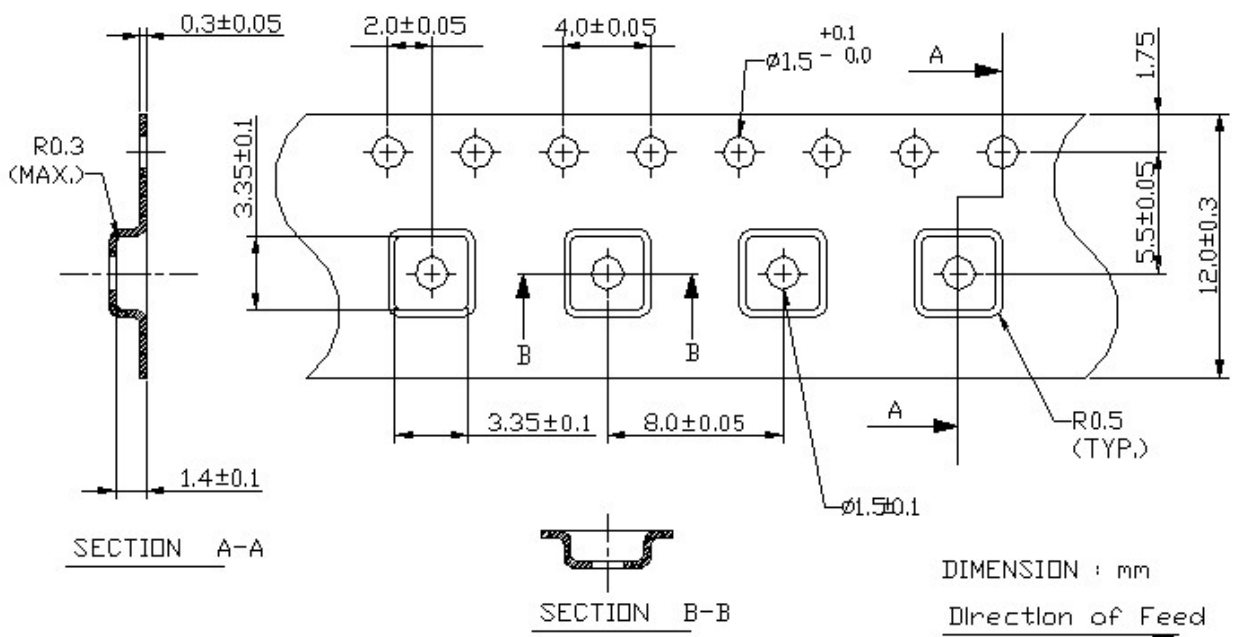
Model: TA1236A
Rev No: 1

G. PACKING:

1. Reel Dimension



2. Tape Dimension



SAW Filter 2595.0MHz
Part No: MP09139

Model: TA1236A
Rev No: 1

H. RECOMMENDED REFLOW PROFILE:

