

**SAW Filter 2436.0MHz**

**Model: TA1218E**

**Part No: MP07994 (AEC-Q200 compliant)**

**Rev No: 1**

**A. MAXIMUM RATING:**

Electrostatic Sensitive Device (ESD)

1. Input Power Level: 21 dBm
2. DC Voltage: 3V
3. Operating Temperature: -40°C to +85°C
4. Storage Temperature: -40°C to +125°C

**B. ELECTRICAL CHARACTERISTICS:**

1. Terminating source impedance:  $Z_S = 50\Omega$
2. Terminating load impedance:  $Z_L = 50\Omega$

Item	Unit	Min.	Typ.	Max.	Note
Center Frequency $F_c$	MHz	-	2436	-	-
Insertion Loss (2400 ~ 2472MHz) at 25°C IL	dB	-	3	3.5	-
Insertion Loss (2400 ~ 2472MHz)	dB	-	3.5	4.4	-
Amplitude ripple (2400 ~ 2472MHz) at 25°C	dB	-	1.5	2.1	-
Amplitude ripple (2400 ~ 2472MHz)	dB	-	2	3.3	-
VSWR (2400 ~ 2472MHz)		-	2.1	2.5	-
Attenuation (Reference level from 0dB)					
DC ~ 960MHz	dB	25	35	-	-
960 ~ 1580MHz	dB	25	33	-	-
1710 ~ 1990MHz	dB	25	34	-	-
2110 ~ 2170MHz	dB	26	37	-	-
2496 ~ 2690MHz at 25°C	dB	30	40	-	-
2496 ~ 2690MHz	dB	10	20	-	-
2690 ~ 4800MHz	dB	25	44	-	-
4800 ~ 5000MHz	dB	20	36	-	-
5000 ~ 6000MHz	dB	15	31	-	-
Temperature Coefficient of Frequency	ppm/°C	-	-36	-	-

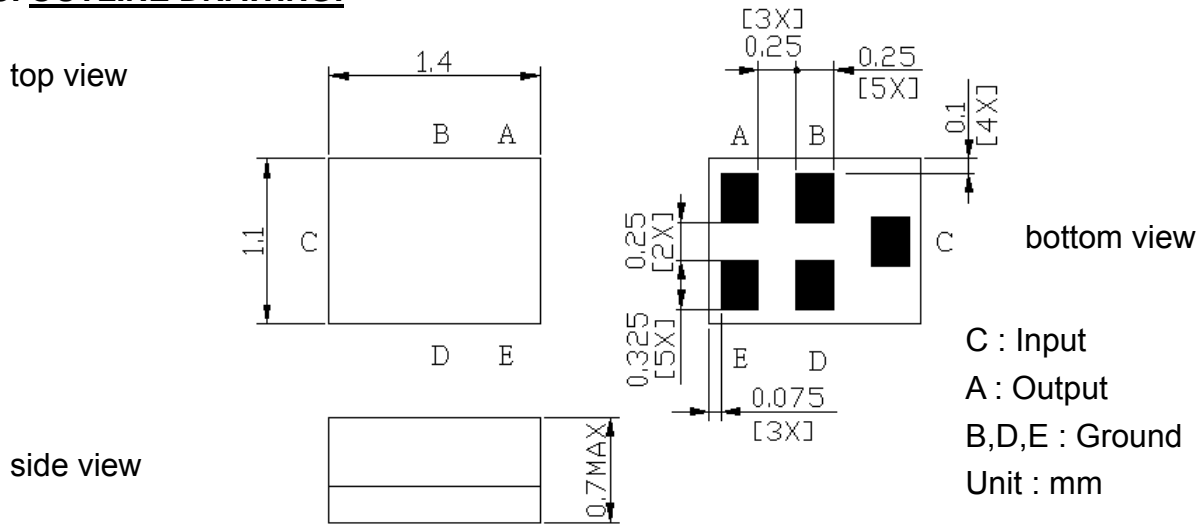
**SAW Filter 2436.0MHz**

**Model: TA1218E**

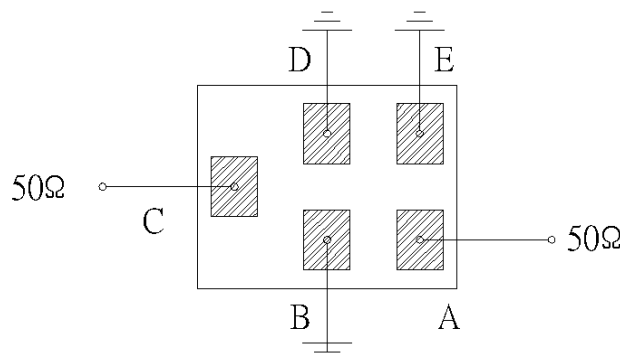
**Part No: MP07994 (AEC-Q200 compliant)**

**Rev No: 1**

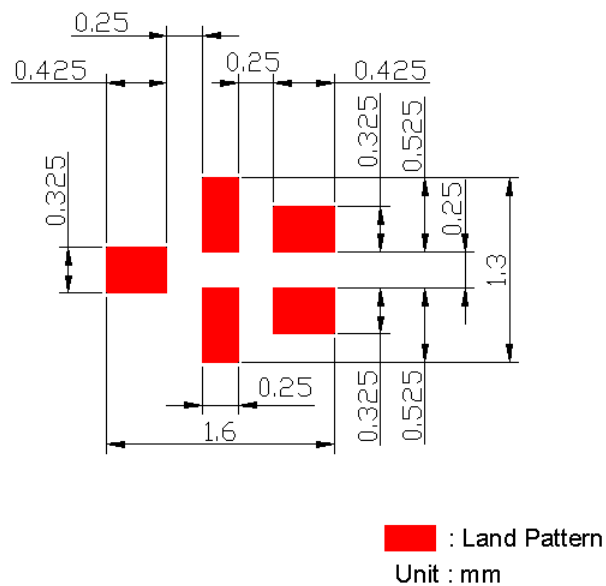
**C. OUTLINE DRAWING:**



**D. MEASUREMENT CIRCUIT:**



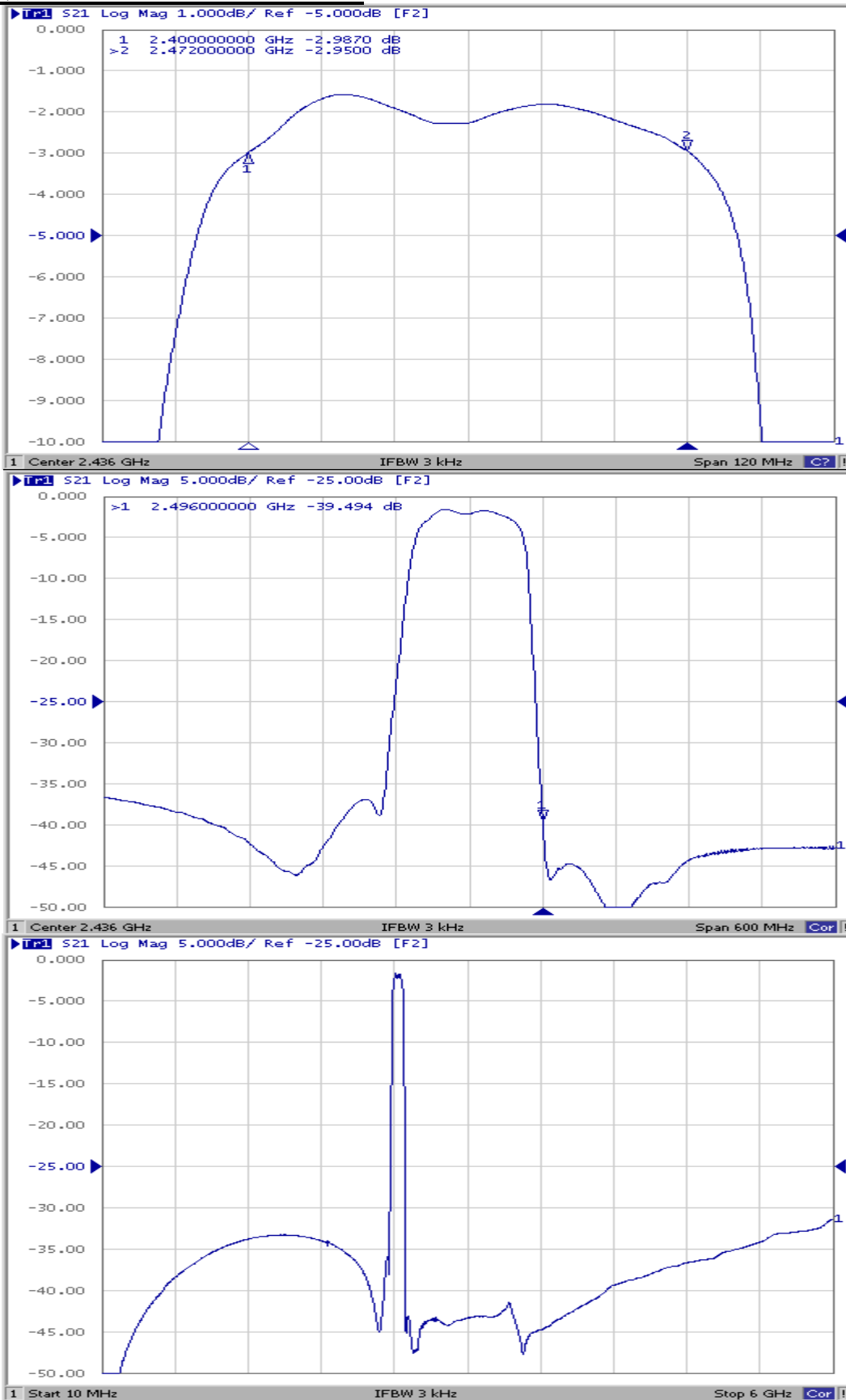
**E. PCB FOOTPRINT:**



**SAW Filter 2436.0MHz**  
**Part No: MP07994 (AEC-Q200 compliant)**

**Model: TA1218E**  
**Rev No: 1**

**F. FREQUENCY CHARACTERISTICS:**

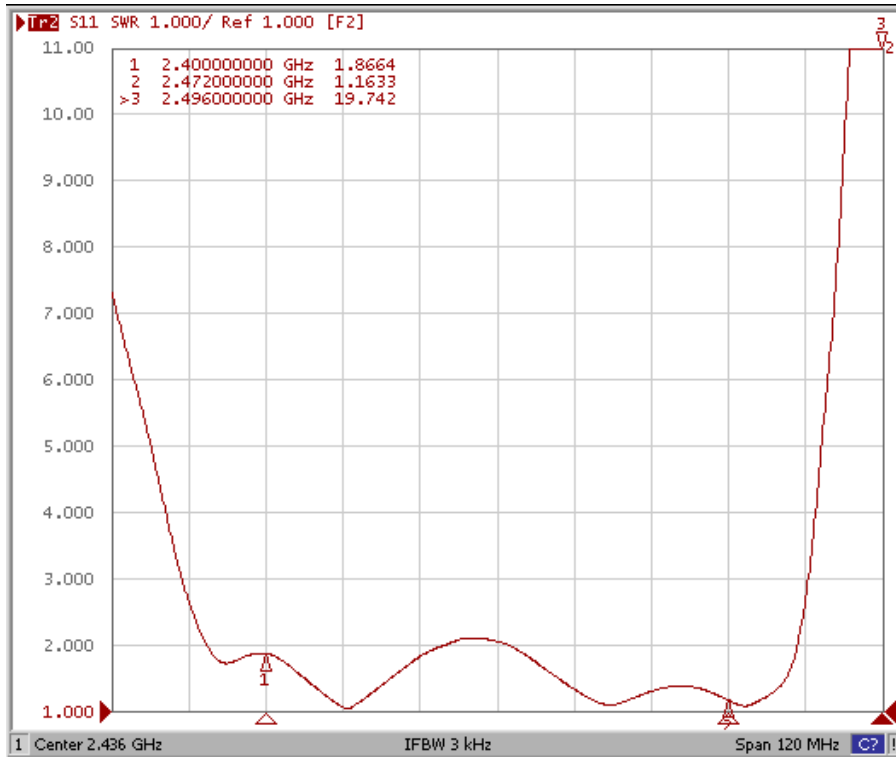


**SAW Filter 2436.0MHz**  
**Part No: MP07994 (AEC-Q200 compliant)**

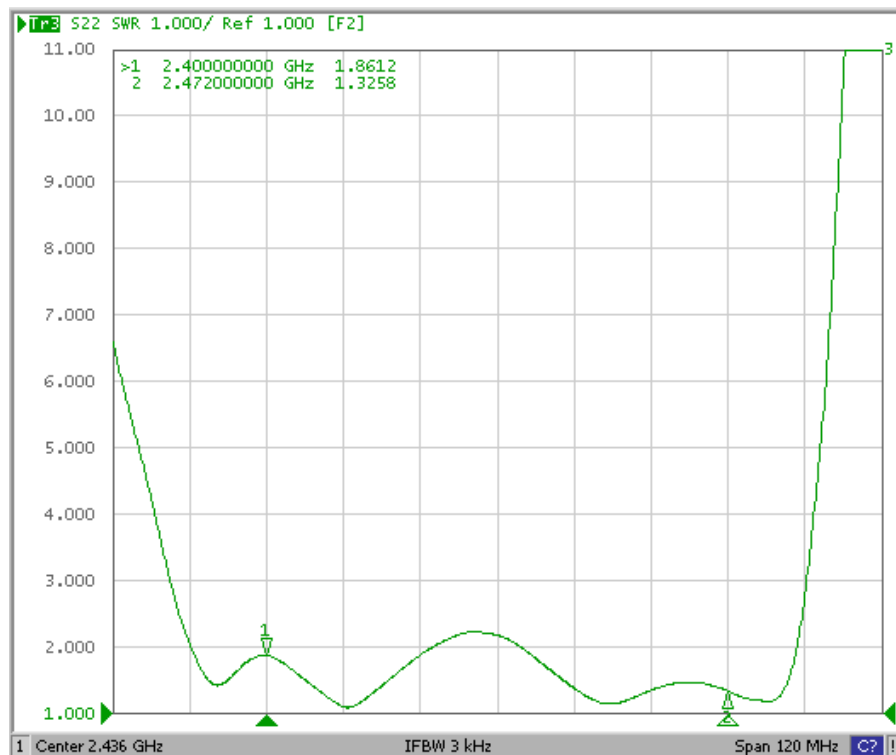
**Model: TA1218E**  
**Rev No: 1**

Reflection Functions:

S11



S22

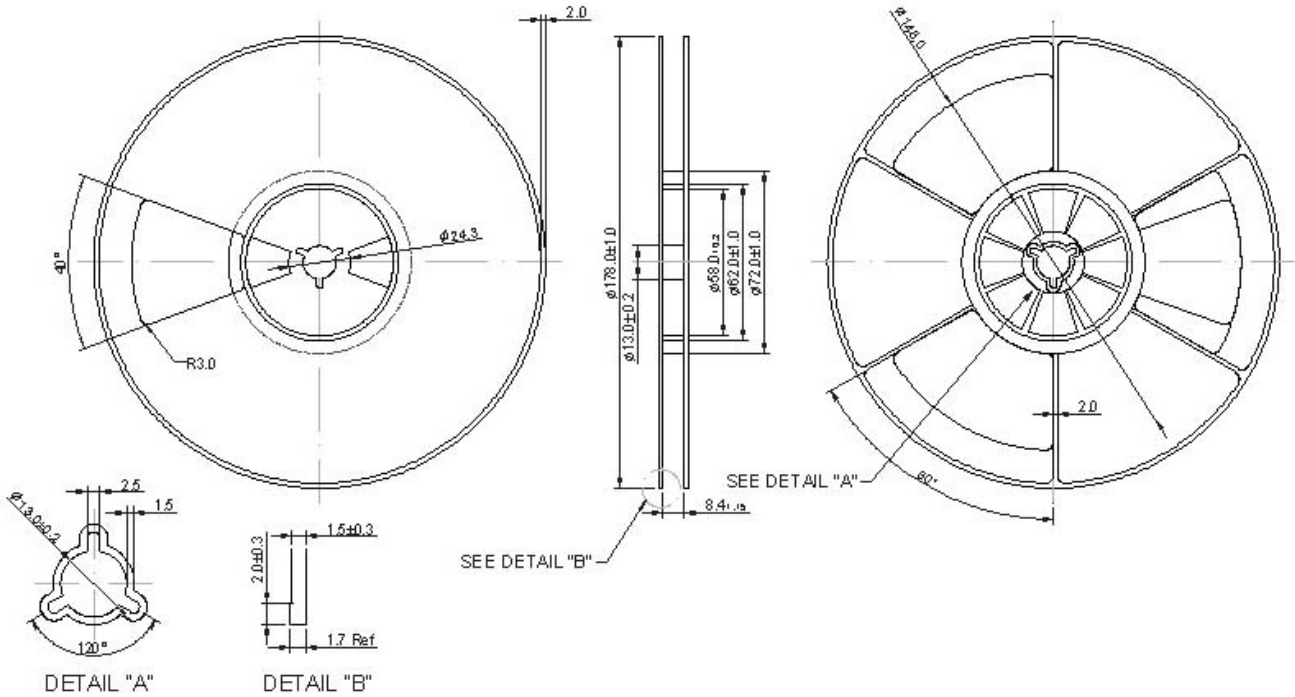


**SAW Filter 2436.0MHz**  
**Part No: MP07994 (AEC-Q200 compliant)**

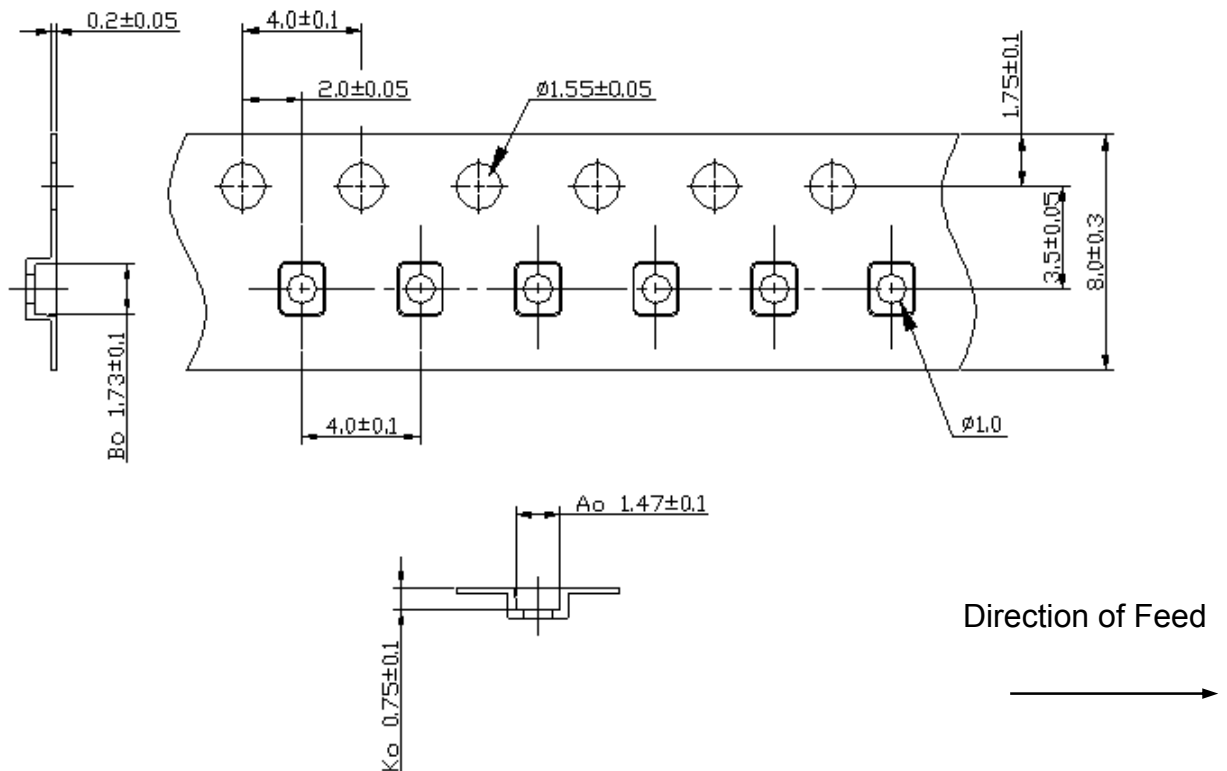
**Model: TA1218E**  
**Rev No: 1**

**G. PACKING:**

1. Reel Dimension (Please refer to FR-75D10 for packing quantity)



2. Tape Dimension



**SAW Filter 2436.0MHz**  
**Part No: MP07994 (AEC-Q200 compliant)**

**Model: TA1218E**  
**Rev No: 1**

**H. RECOMMENDED REFLOW PROFILE:**

1. Preheating shall be fixed at 150 ~ 180°C for 60 ~ 90 seconds.
2. Ascending time to preheating temperature 150°C shall be 30 seconds min.
3. Heating shall be fixed at 220°C for 50 ~ 80 seconds and at 260°C +0/-5°C peak (20 ~ 40 sec).
4. Time: 2 times.

