

SAW Filter 2350.0MHz
Part No: MP07863

Model: TA2015A
Rev No: 1

A. MAXIMUM RATING:

Electrostatic Sensitive Device (ESD)

1. Input Power Level: 10dBm
2. DC Voltage: 3V
3. Operating Temperature: -40°C to +85°C
4. Storage Temperature: -40°C to +105°C

B. ELECTRICAL CHARACTERISTICS:

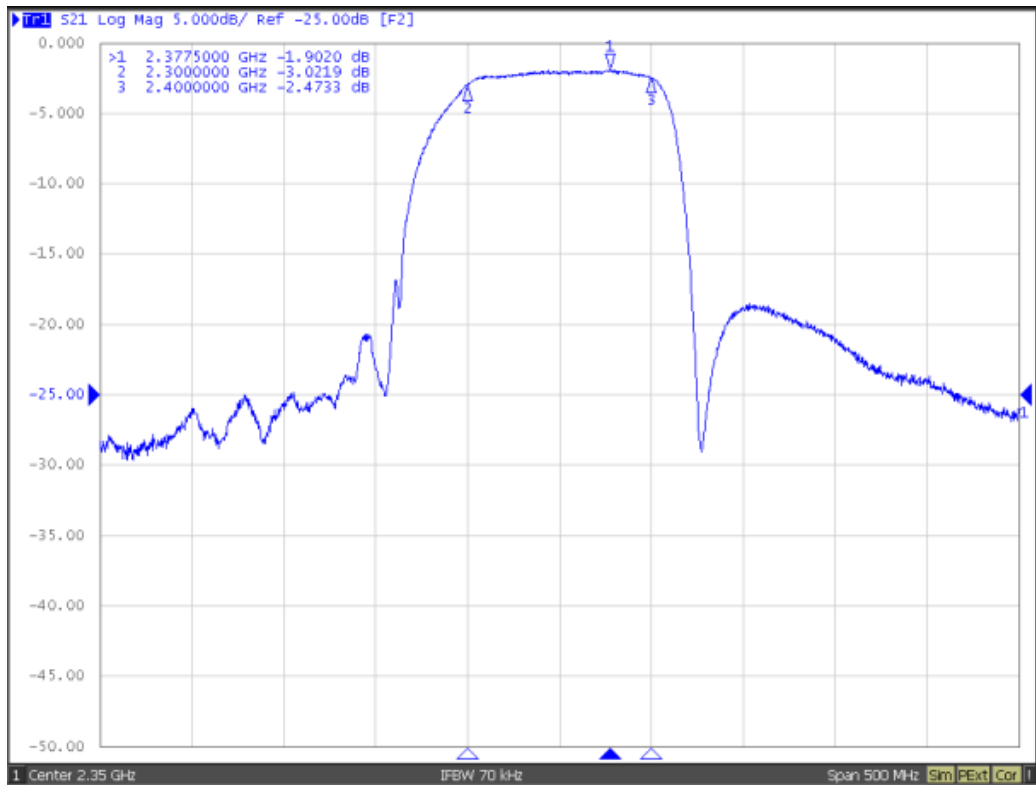
Item	Unit	Min.	Typ.	Max.	Note
Center Frequency Fc	MHz	-	2350	-	-
Insertion Loss (2300 ~ 2400MHz) IL	dB	-	2.5	3.8	-
(2300 ~ 2400MHz) IL	dB	-	2.5	3	23 ~ 27°C
VSWR (2300 ~ 2400MHz)		-	2.2	2.7	-
Amplitude ripple (2300 ~ 2400MHz)	dB	-	1.3	2.6	-
Attenuation					
10 ~ 1680MHz	dB	30	35	-	-
1845 ~ 1880MHz	dB	30	35	-	-
2110 ~ 2170MHz	dB	20	25	-	-
2240 ~ 2260MHz	dB	20	25	-	-
2423 ~ 2441MHz	dB	16	18	-	+25 ~ +85°C
2423 ~ 2441MHz	dB	12	18	-	-20 ~ +85°C
2428 ~ 2446MHz	dB	16	18	-	
2433 ~ 2451MHz	dB	16	18	-	
2438 ~ 2481MHz	dB	16	18	-	-
2481 ~ 2500MHz	dB	18	20	-	-
2500 ~ 3000MHz	dB	18	25	-	-
3000 ~ 4500MHz	dB	25	28	-	-
Package size	mm	SMD 1.1 x 0.9			

SAW Filter 2350.0MHz
Part No: MP07863

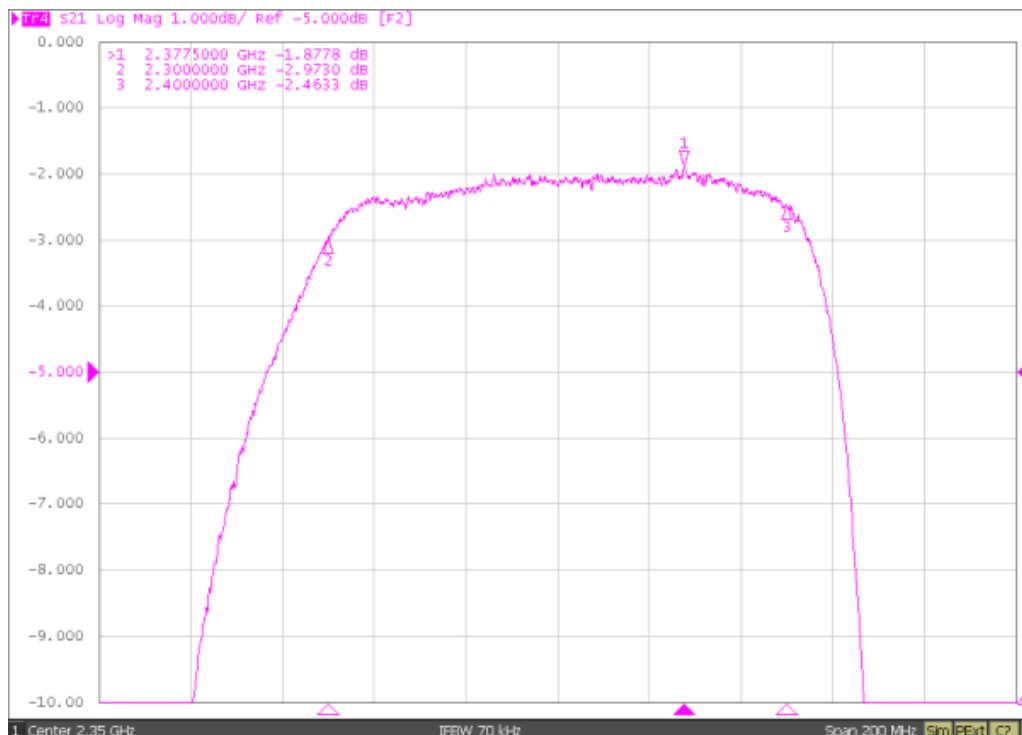
Model: TA2015A
Rev No: 1

C. FREQUENCY CHARACTERISTICS:

1. S21 response: (span 500MHz)



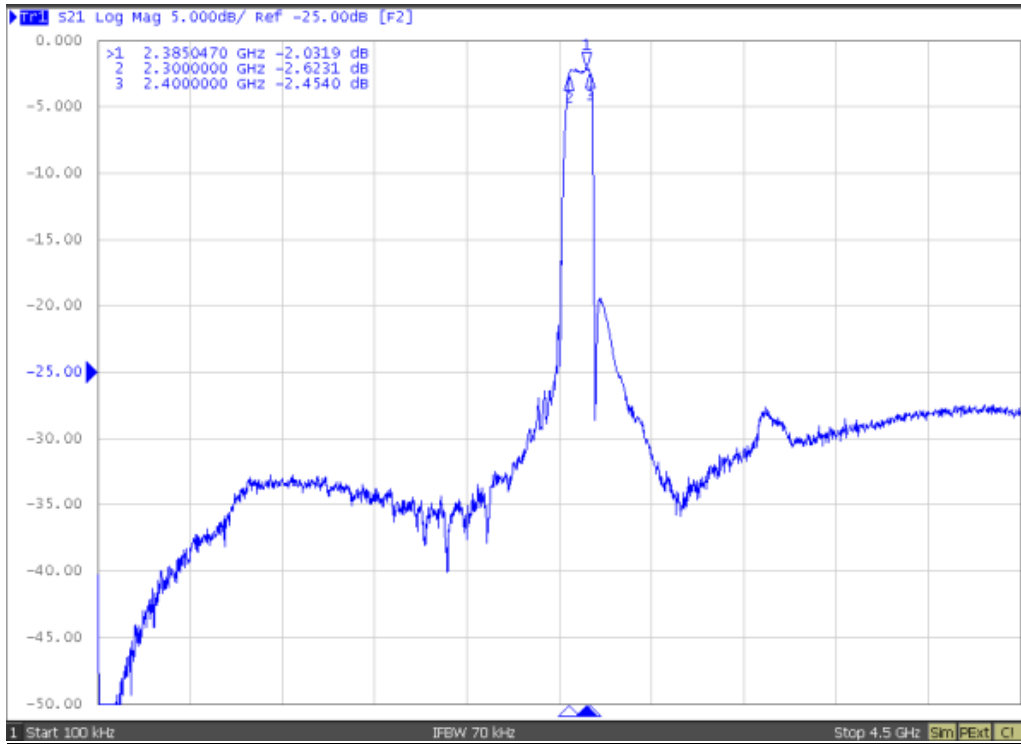
2. S21 response: (span 200MHz)



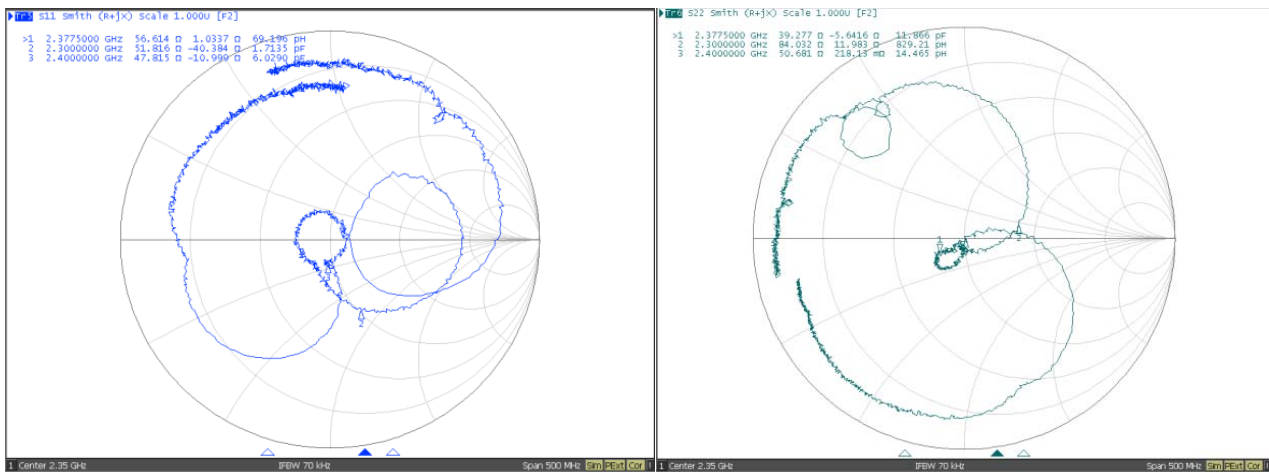
SAW Filter 2350.0MHz
Part No: MP07863

Model: TA2015A
Rev No: 1

3. S21 response: (span 4.5GHz)



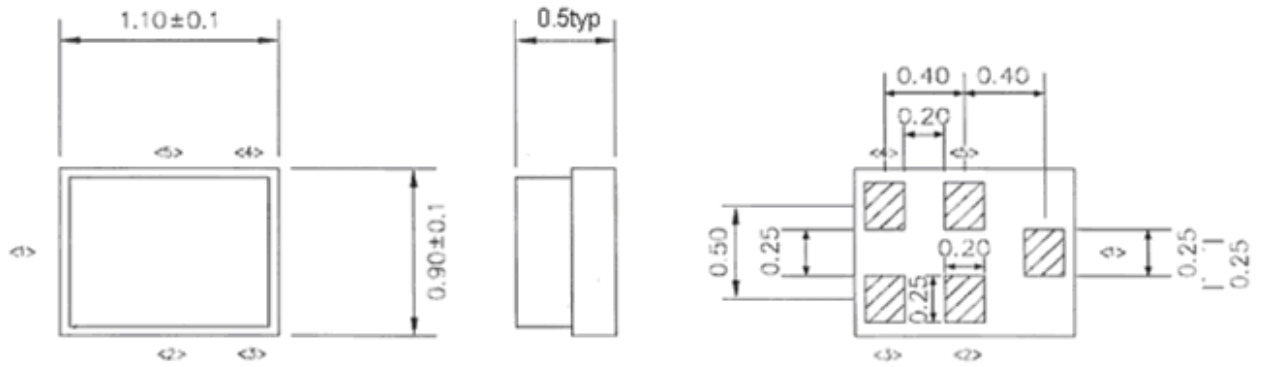
4. S11/S22 response:



SAW Filter 2350.0MHz
Part No: MP07863

Model: TA2015A
Rev No: 1

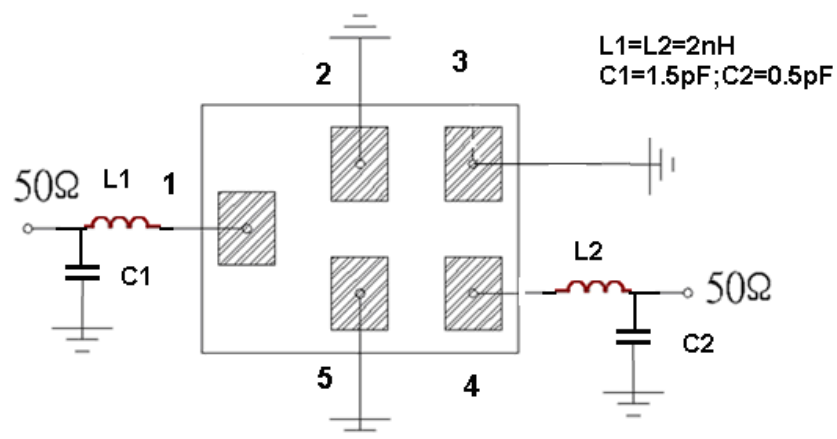
D. OUTLINE DRAWING:



Unit: mm

Pin No.	Symbol	Function
1	IN	Unbalanced pin
2	GND	Ground
3	GND	Ground
4	OUT	Unbalanced pin
5	GND	Ground

E. MEASUREMENT CIRCUIT:

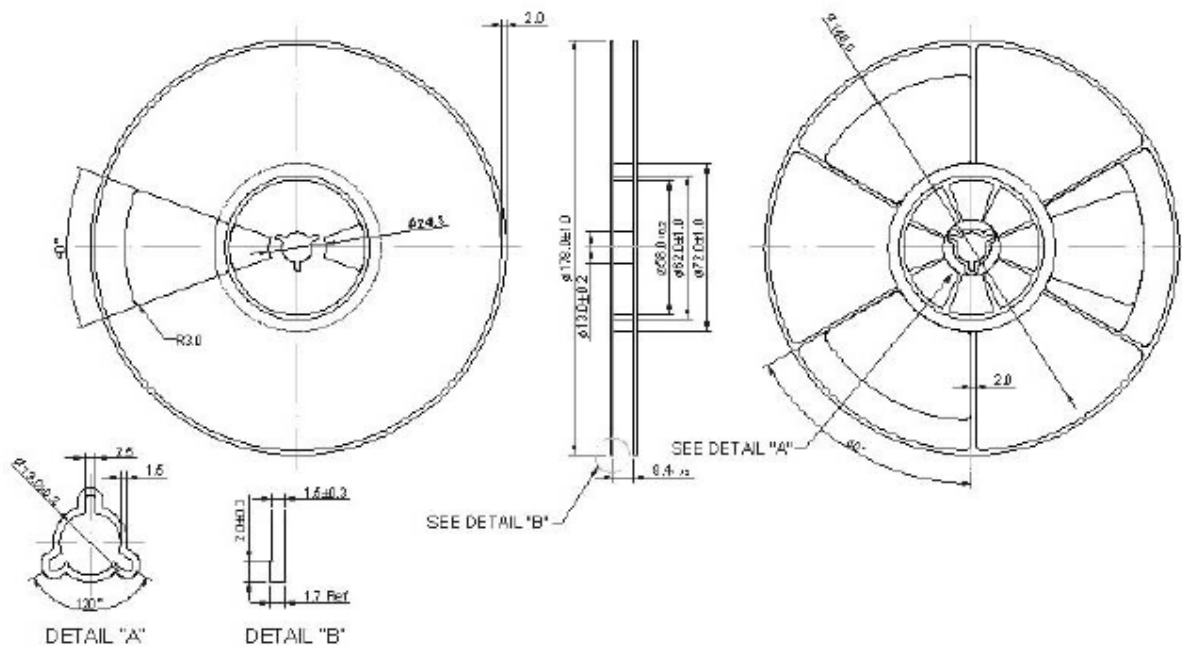


SAW Filter 2350.0MHz
Part No: MP07863

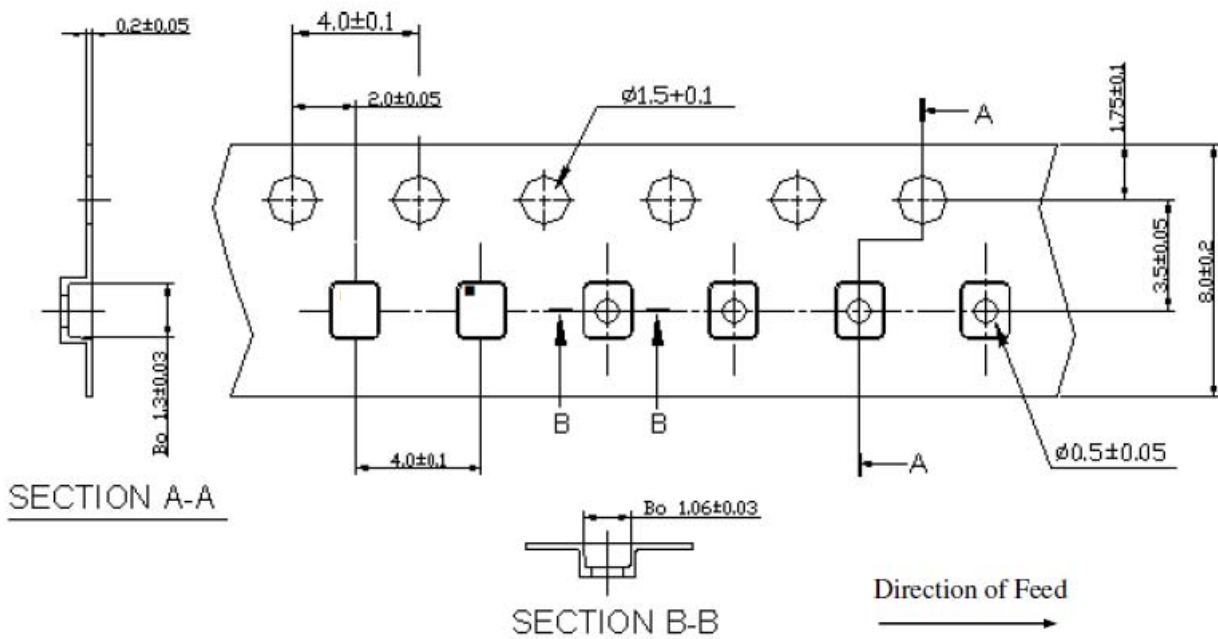
Model: TA2015A
Rev No: 1

F. PACKING:

1. Reel Dimension (Please refer to FR-75D10 for packing quantity)



2. Tape Dimension



SAW Filter 2350.0MHz
Part No: MP07863

Model: TA2015A
Rev No: 1

G. RECOMMENDED REFLOW PROFILE:

1. Preheating shall be fixed at 150 ~ 180°C for 60 ~ 90 seconds.
2. Ascending time to preheating temperature 150°C shall be 30 seconds min.
3. Heating shall be fixed at 220°C for 50 ~ 80 seconds and at 260°C +0/-5°C peak (20 ~ 40 sec).
4. Time: 2 times.

