

**SAW Filter 2605.0MHz**  
**Part No: MP07864**

**Model: TA1991A**  
**Rev No: 1**

**A. MAXIMUM RATING:**

Electrostatic Sensitive Device (ESD)

1. Input Power Level: 10 dBm
2. Operating Temperature: -20°C to +85°C
3. Storage Temperature: -40°C to +85°C

**B. ELECTRICAL CHARACTERISTICS:**

Parameters Description	Unit	Min.	Typ.	Max.
Center Frequency (Fc)	MHz	-	2605	-
Insertion Loss within				
2555.0 ~ 2575.0MHz	dB	-	3.6	3.8
2575.0 ~ 2635.0MHz	dB	-	1.7	2.6
2635.0 ~ 2655.0MHz	dB	-	3.2	3.5
Amplitude Ripple within				
2550.0 ~ 2655.0 MHz	dBp-p	-	1.9	2.5
Attenuation:				
10.0 ~ 960.0MHz	dB	32	38	-
1225.0 ~ 1559.0MHz	dB	30	35	-
1559.0 ~ 1606.0MHz	dB	30	35	-
1606.0 ~ 1710.0MHz	dB	28	34	-
1710.0 ~ 2170.0MHz	dB	28	35	-
2170.0 ~ 2400.0MHz	dB	28	34	-
2401.0 ~ 2438.0MHz	dB	35	35	-
2421.0 ~ 2483.0MHz	dB	35	45	-
2750.0 ~ 4900.0MHz	dB	27	38	-
4900.0 ~ 6000.0MHz	dB	40	45	-
6000.0 ~ 8000.0MHz	dB	40	45	-
VSWR within 2555.0 ~ 2655.0MHz	-	-	1.5	2.2

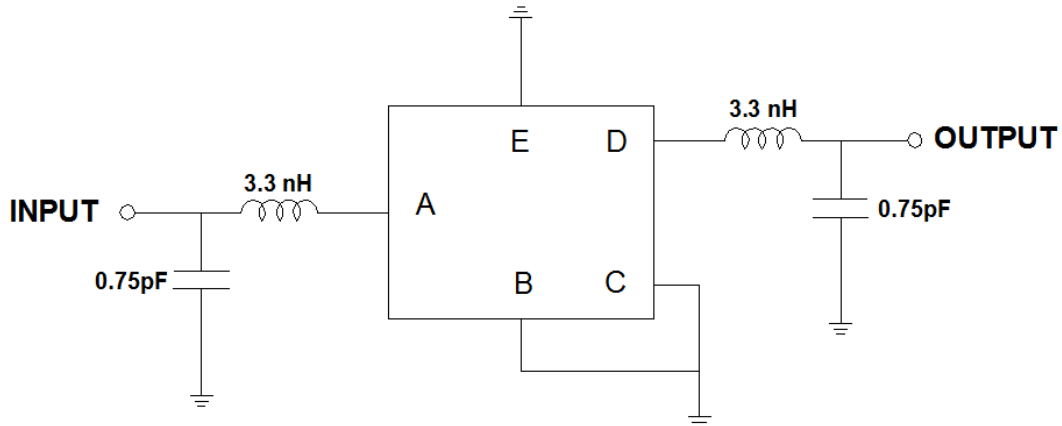
**SAW Filter 2605.0MHz**

**Model: TA1991A**

**Part No: MP07864**

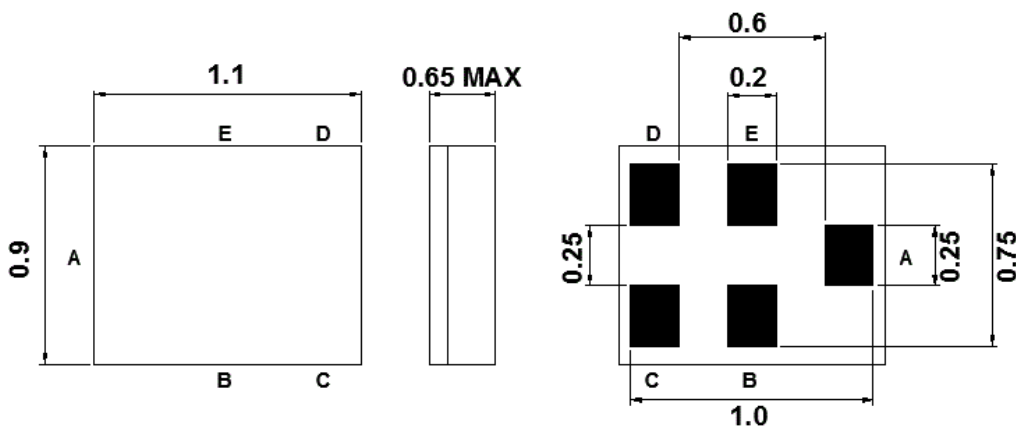
**Rev No: 1**

**C. MEASUREMENT CIRCUIT:**

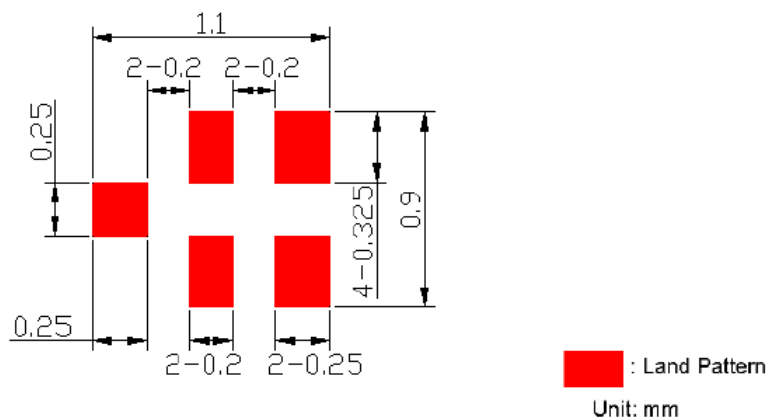


B, C, E: Ground  
 A: Input  
 D: Output

**D. OUTLINE DRAWING:**



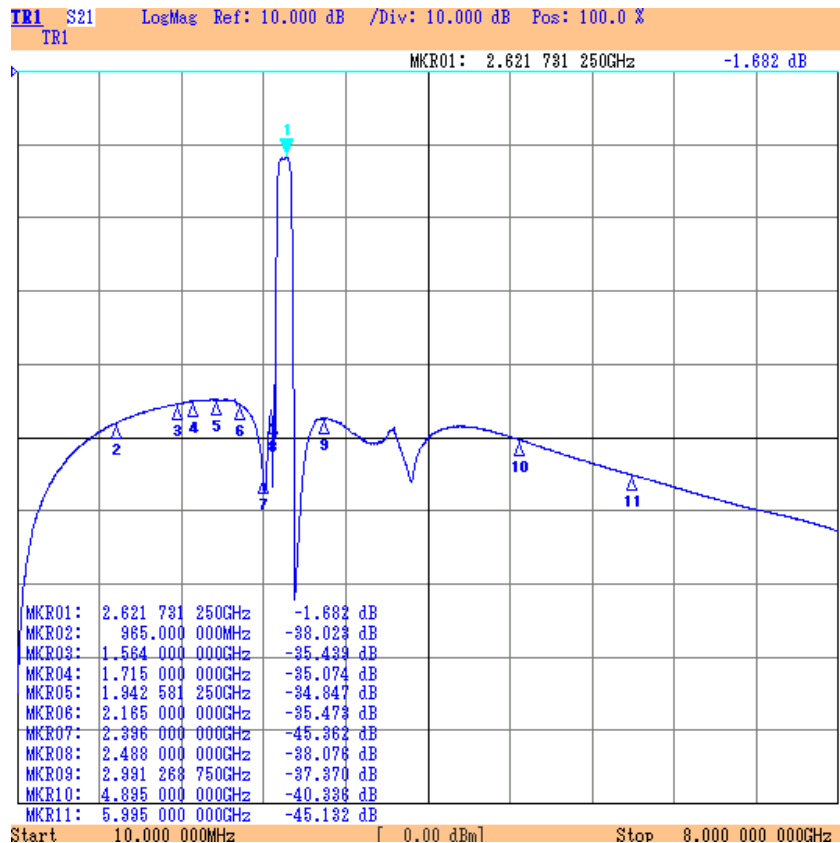
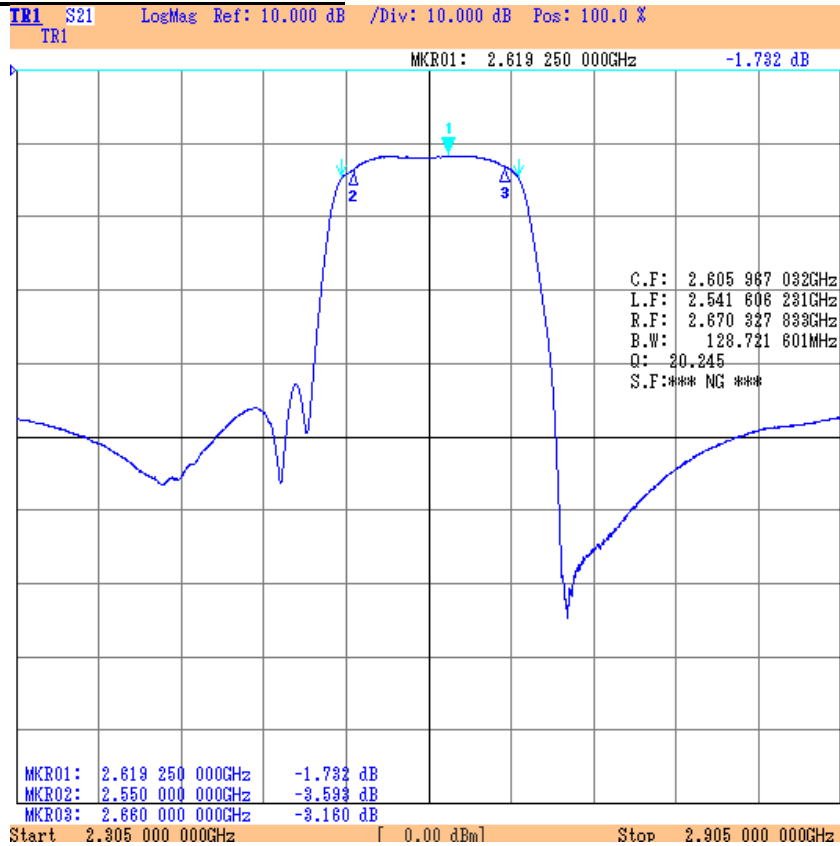
**E. PCB FOOTPRINT:**



**SAW Filter 2605.0MHz**  
**Part No: MP07864**

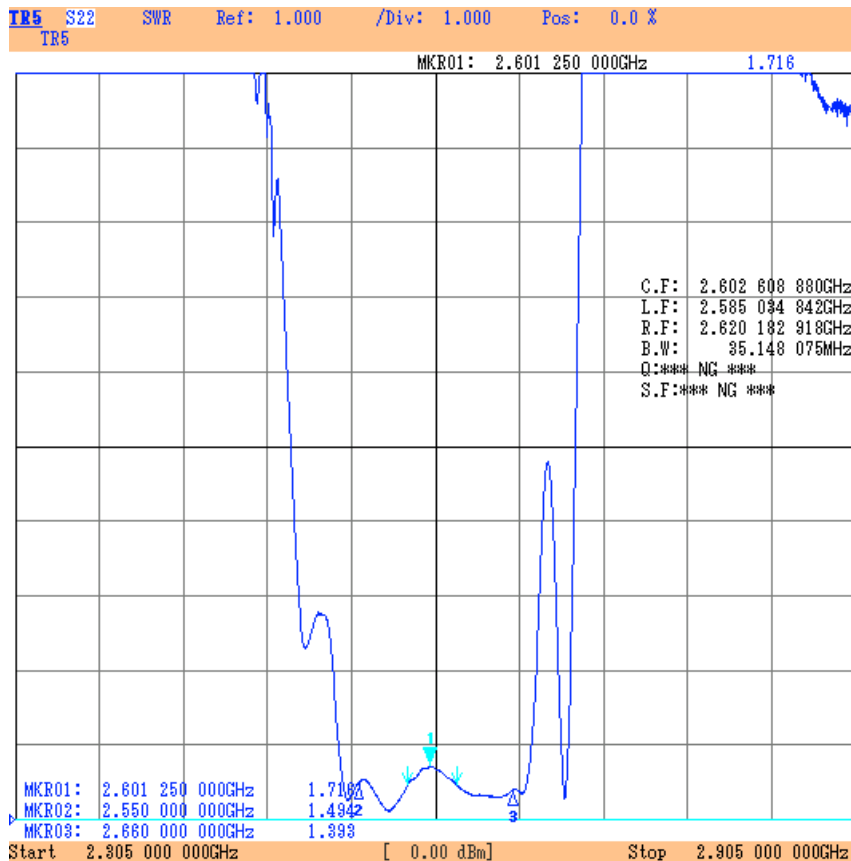
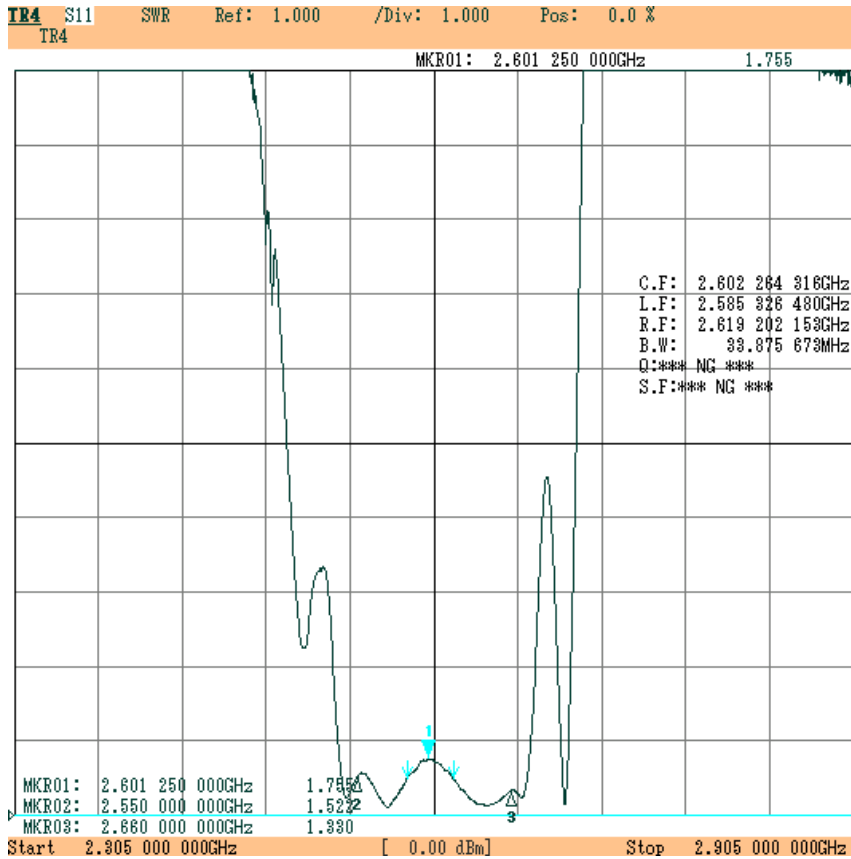
**Model: TA1991A**  
**Rev No: 1**

**F. FREQUENCY CHARACTERISTICS:**



**SAW Filter 2605.0MHz**  
**Part No: MP07864**

**Model: TA1991A**  
**Rev No: 1**

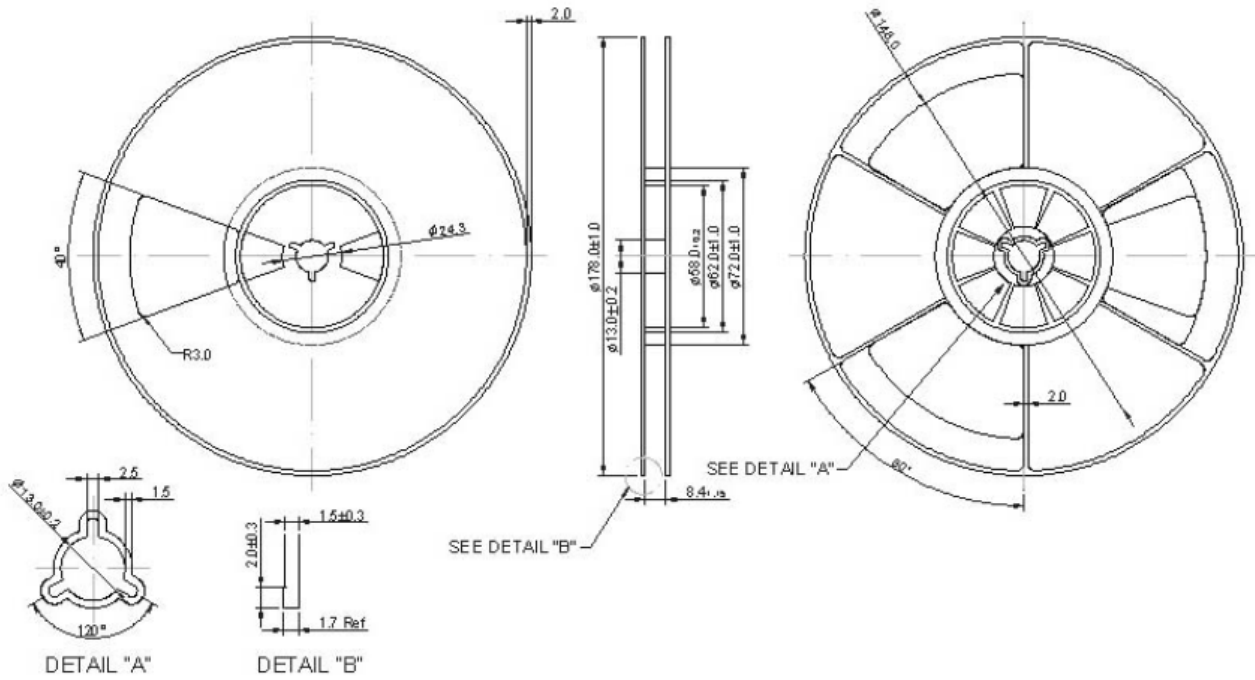


**SAW Filter 2605.0MHz**  
**Part No: MP07864**

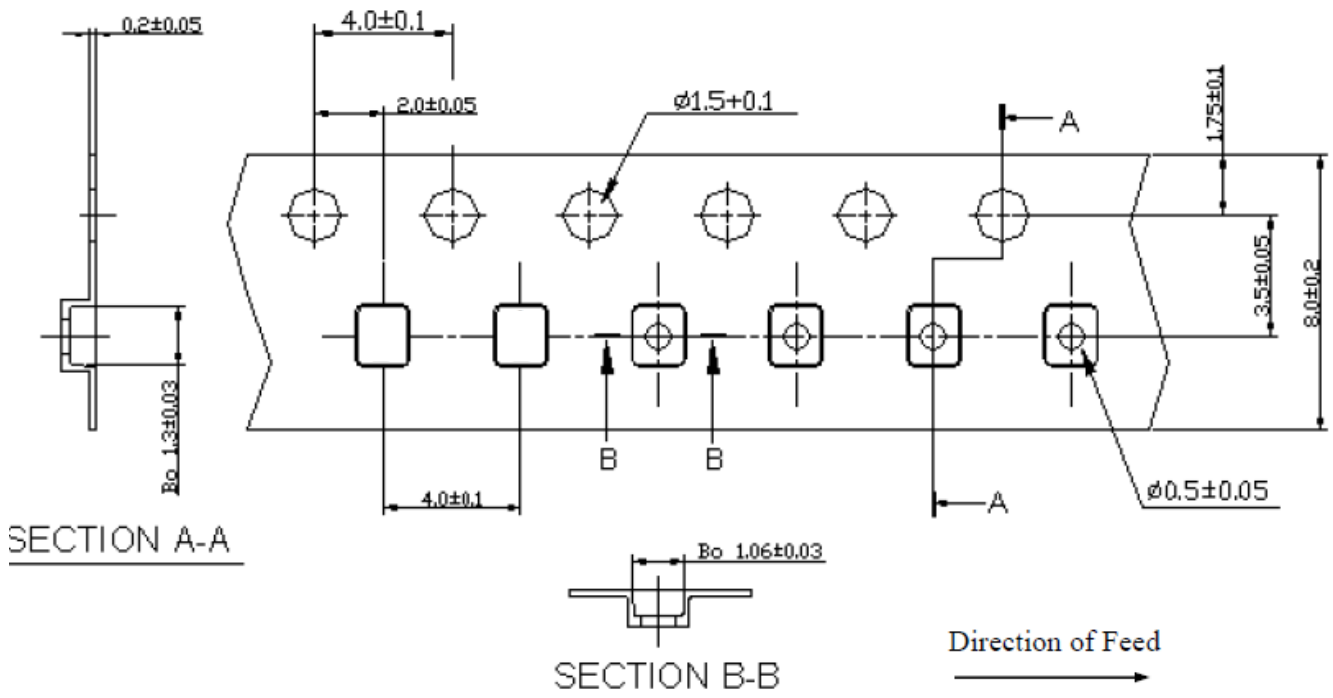
**Model: TA1991A**  
**Rev No: 1**

**G. PACKING:**

1. Reel Dimension 7" / 5000pcs



2. Tape Dimension



**SAW Filter 2605.0MHz**  
**Part No: MP07864**

**Model: TA1991A**  
**Rev No: 1**

**H. RECOMMENDED REFLOW PROFILE:**

1. Preheating shall be fixed at 150 ~ 180°C for 60 ~ 90 seconds.
2. Ascending time to preheating temperature 150°C shall be 30 seconds min.
3. Heating shall be fixed at 220°C for 50 ~ 80 seconds and at 260°C +0/-5°C peak (20 ~ 40 sec).
4. Time: 2 times.

