

SAW Filter 942.50MHz

Model: TA1743A

Part No: MP07848

Rev No: 1

A. MAXIMUM RATING:

Electrostatic Sensitive Device (ESD)

1. Input Power Level: 10dBm
2. DC Voltage: 3V
3. Operating Temperature: -30°C to +85°C
4. Storage Temperature: -40°C to +85°C

B. ELECTRICAL CHARACTERISTICS:

1. Terminating source impedance: $Z_S = 50\Omega$ (single)
2. Terminating load impedance: $Z_L = 100\Omega$ (balanced)

Parameters Description	Unit	Min.	Typ.	Max.
Center Frequency (Fc)	MHz	-	942.5	-
Insertion Loss within 925.0 ~ 960.0MHz	dB	-	2.0	2.6
Amplitude Ripple within 925.0 ~ 960.0MHz	dBp-p	-	0.8	1.8
VSWR within 925.0 ~ 960.0MHz	-	-	1.8	2.1
Amplitude balance within 925.0 ~ 960.0MHz	dB	-1.0	-0.5 ~ +0.2	+1.0
Phase balance within 925.0 ~ 960.0MHz	deg	-10	-3 ~ +1	+10
Attenuation:				
DC ~ 880.0MHz	dB	50	60	-
880.0 ~ 915.0MHz	dB	48	56	-
980.0 ~ 1020.0MHz	dB	23	30	-
1020.0 ~ 2880.0MHz	dB	40	55	-
2880.0 ~ 6000.0MHz	dB	30	45	-

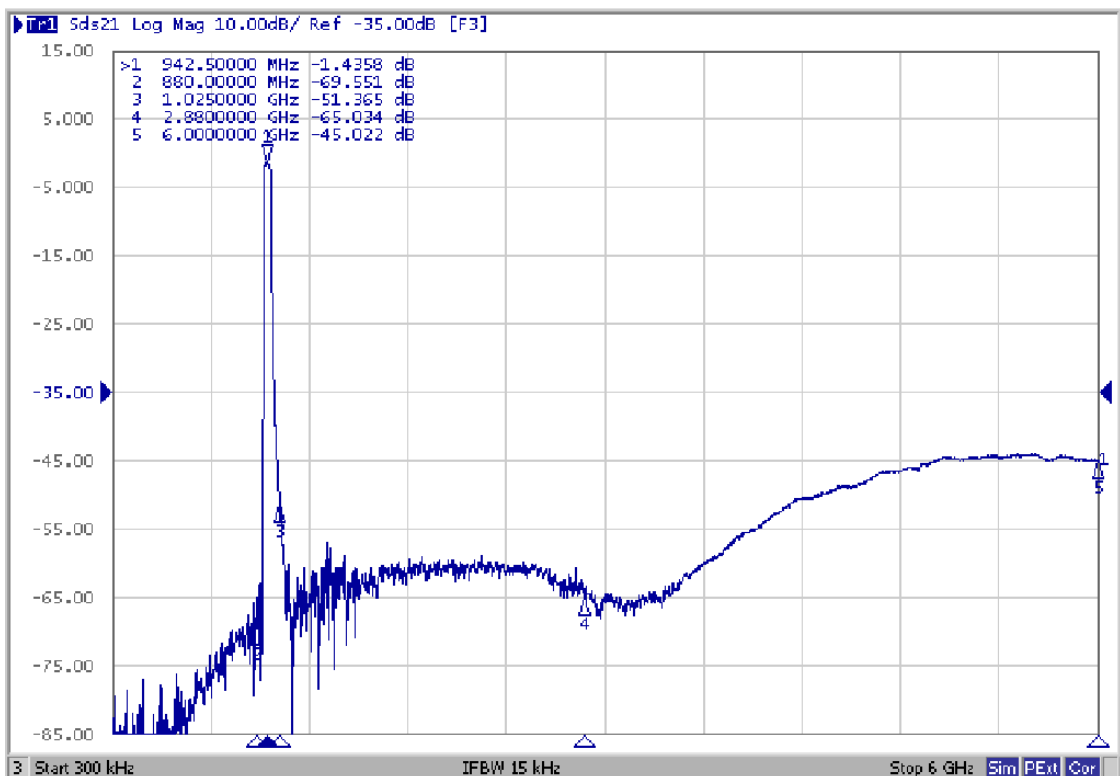
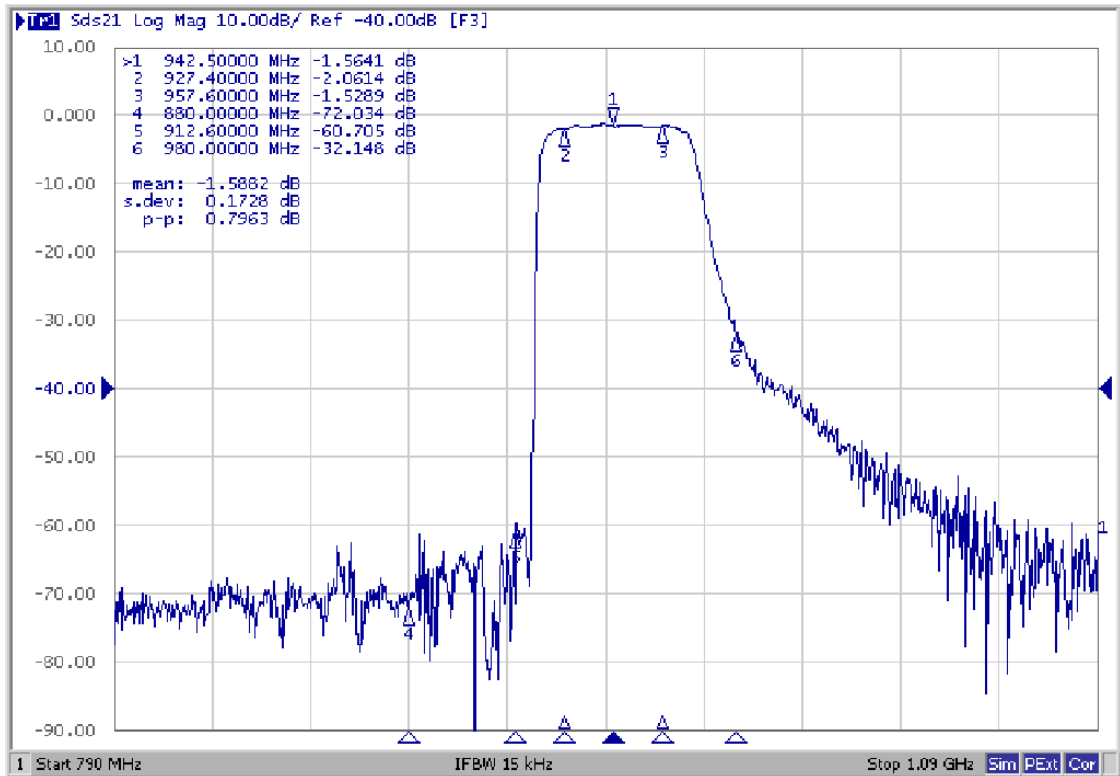
Note: No Matching Network.

SAW Filter 942.50MHz
Part No: MP07848

Model: TA1743A
Rev No: 1

C. FREQUENCY CHARACTERISTICS:

1. Frequency Response



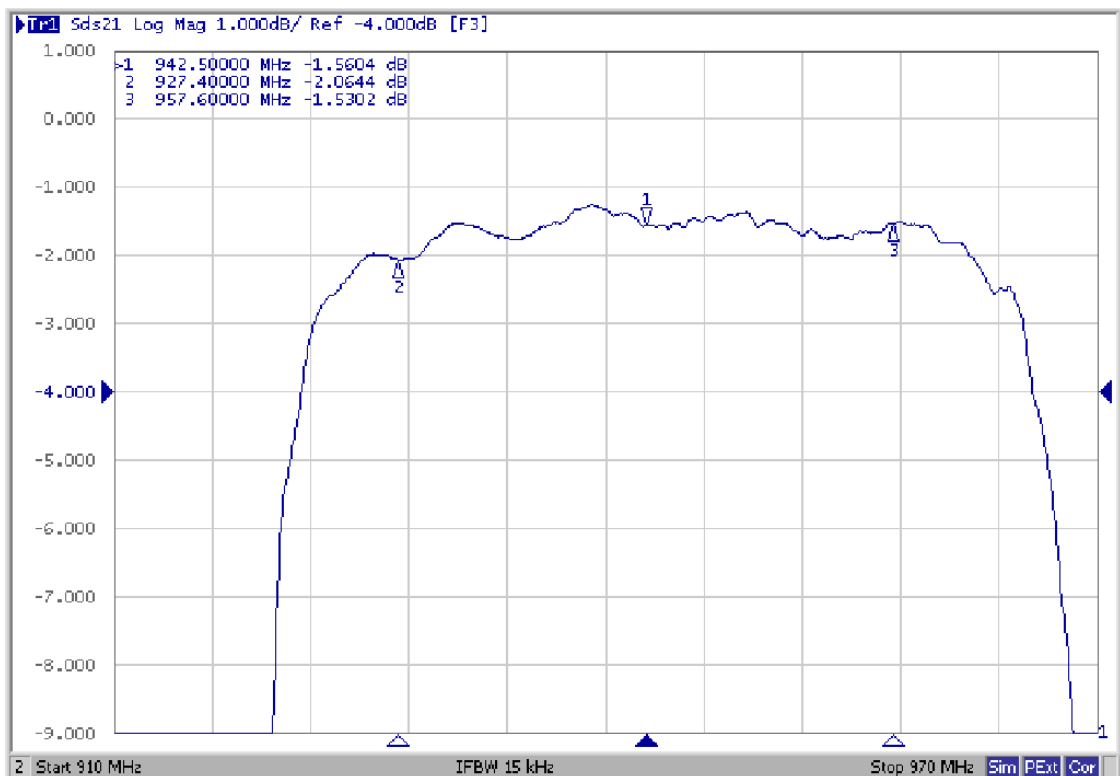
SAW Filter 942.50MHz
Part No: MP07848

Model: TA1743A
Rev No: 1

2. VSWR



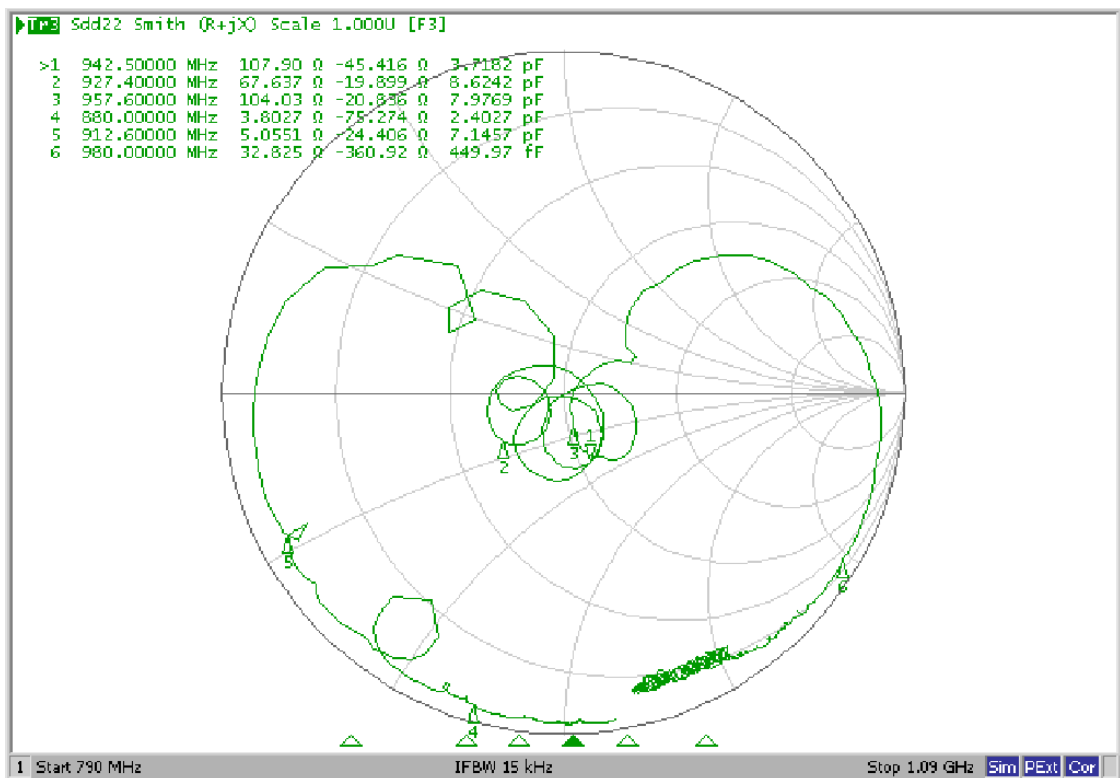
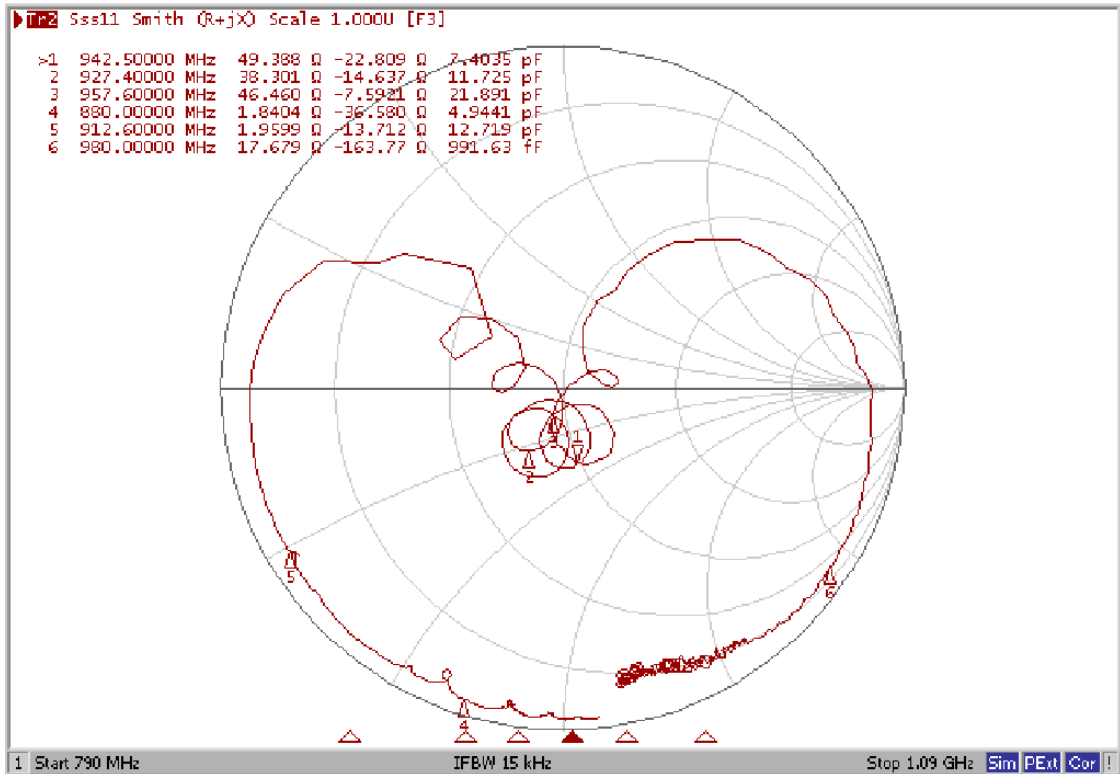
3. Ripple



SAW Filter 942.50MHz
Part No: MP07848

Model: TA1743A
Rev No: 1

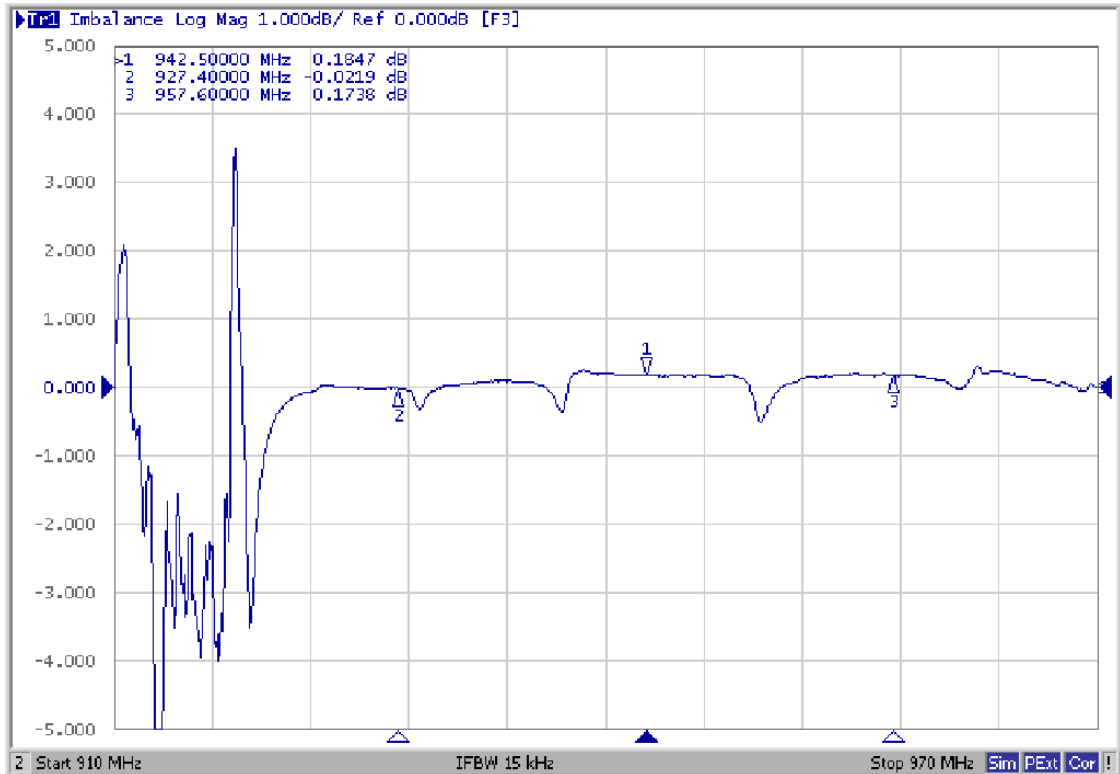
4. Smith Chart



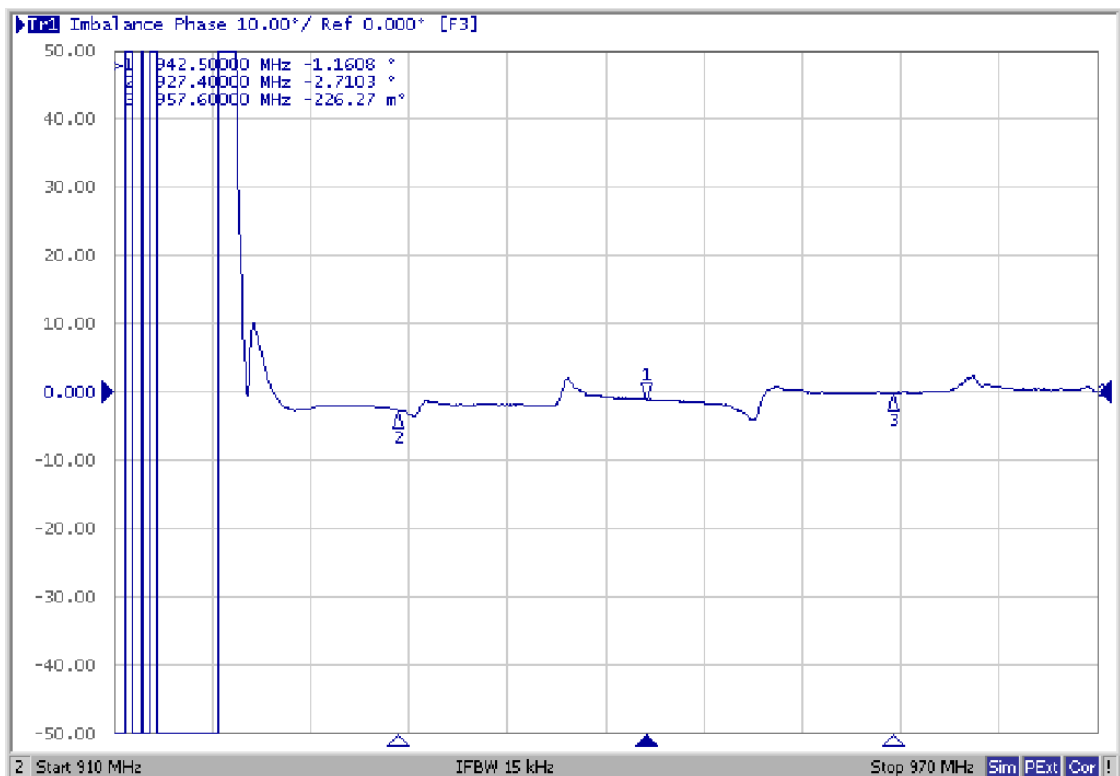
SAW Filter 942.50MHz
Part No: MP07848

Model: TA1743A
Rev No: 1

5. Amplitude balance



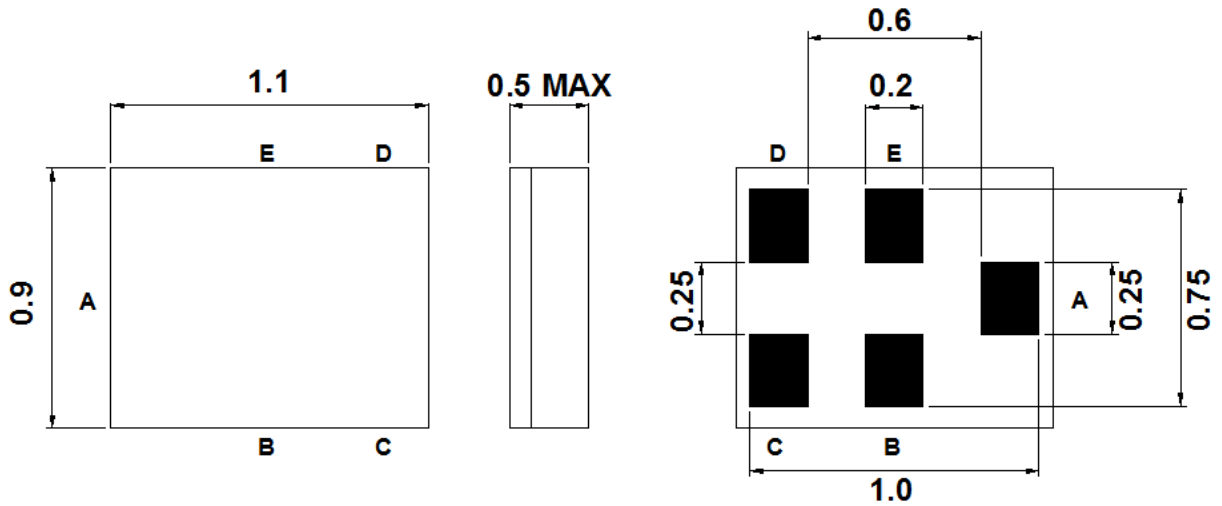
6. Phase balance



SAW Filter 942.50MHz
Part No: MP07848

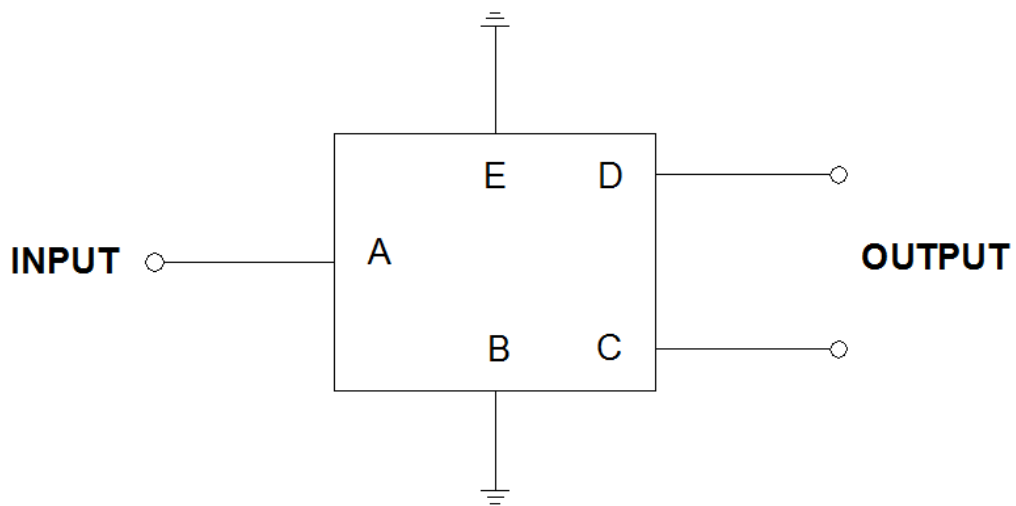
Model: TA1743A
Rev No: 1

D. OUTLINE DRAWING:



B, E: Ground
A: Input
C, D: Balanced output

E. MEASUREMENT CIRCUIT:



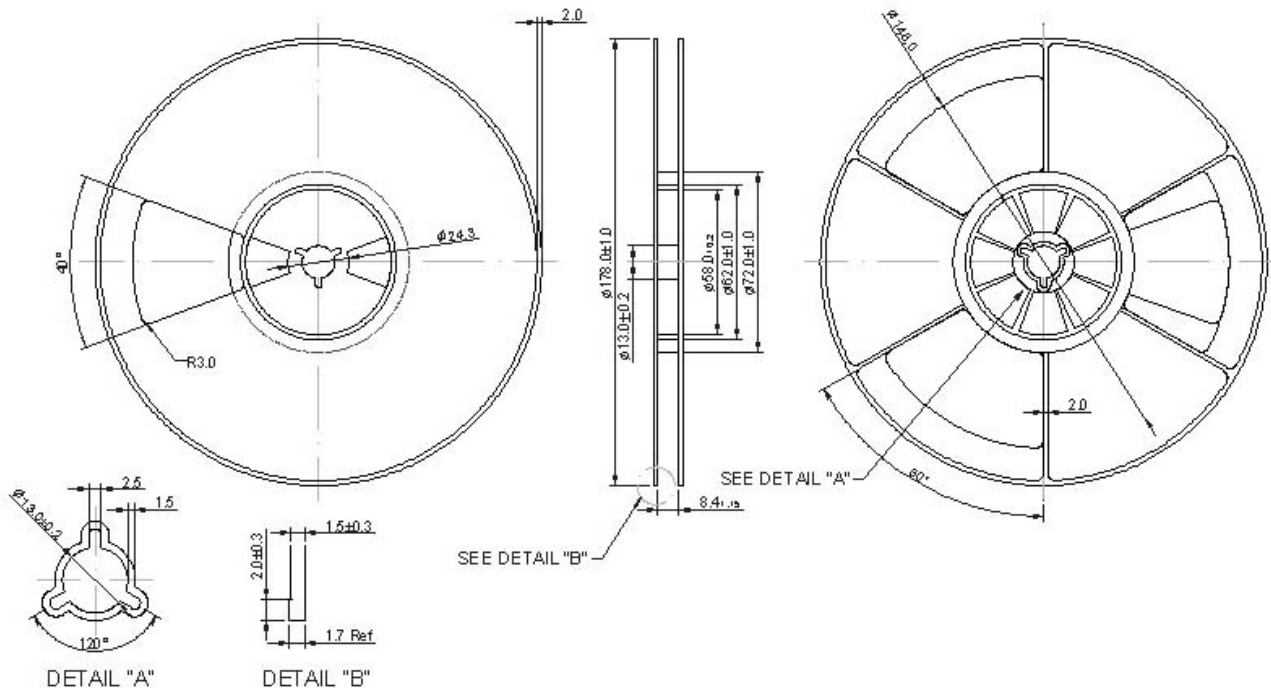
Source Impedance: 50Ω
Load Impedance: 100Ω

SAW Filter 942.50MHz
Part No: MP07848

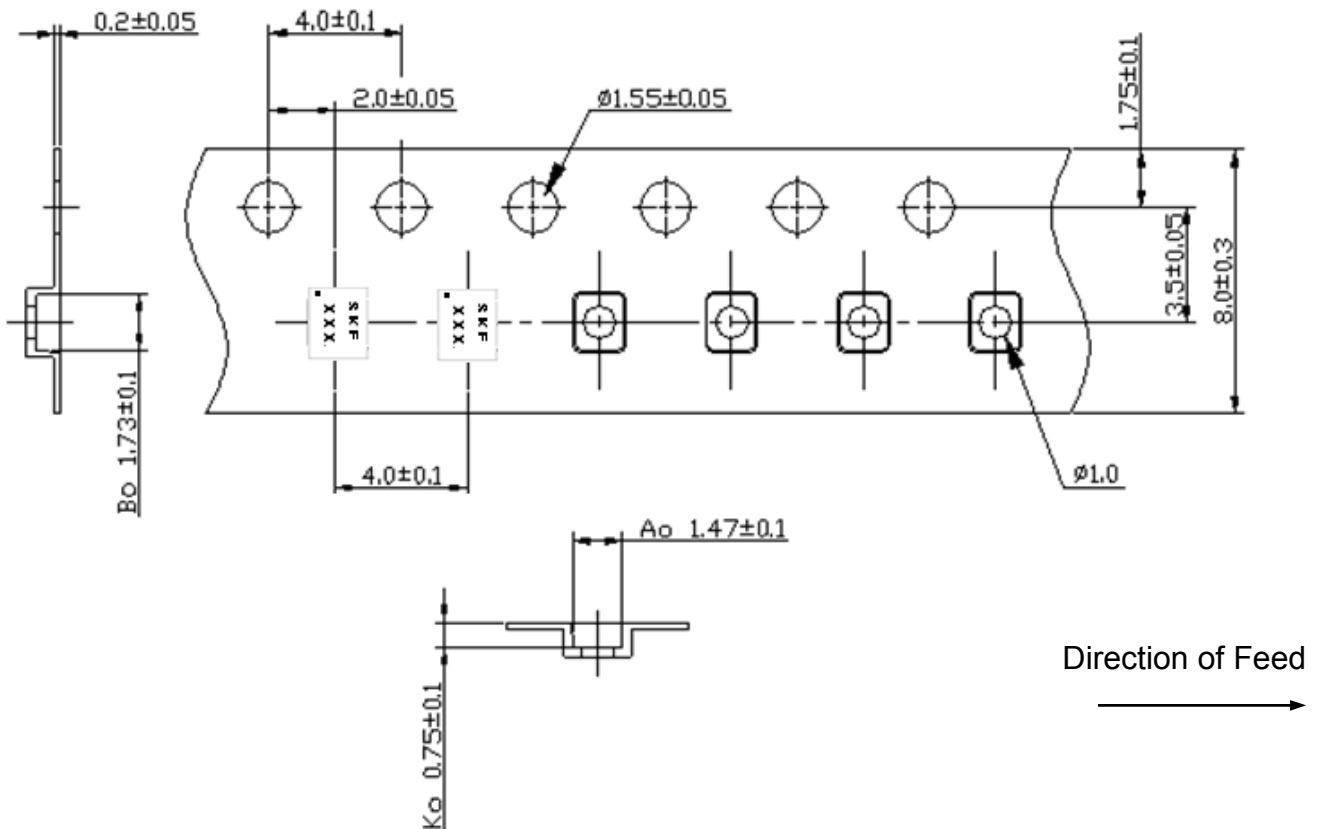
Model: TA1743A
Rev No: 1

F. PACKING:

1. Reel Dimension (Please refer to FR-75D10 for packing quantity)



2. Tape Dimension



SAW Filter 942.50MHz
Part No: MP07848

Model: TA1743A
Rev No: 1

G. RECOMMENDED REFLOW PROFILE:

