

SAW Filter 2441.750MHz

Model: TA1834A

Part No: MP06516

Rev No: 1

A. MAXIMUM RATING:

Electrostatic Sensitive Device (ESD)

1. Operating Temperature: -30°C to +85°C
2. Storage Temperature: -40°C to +100°C

B. ELECTRICAL CHARACTERISTICS:

1. Input impedance: 50 // 8.3nH Ω
2. Output impedance: 50 // 12.0nH Ω

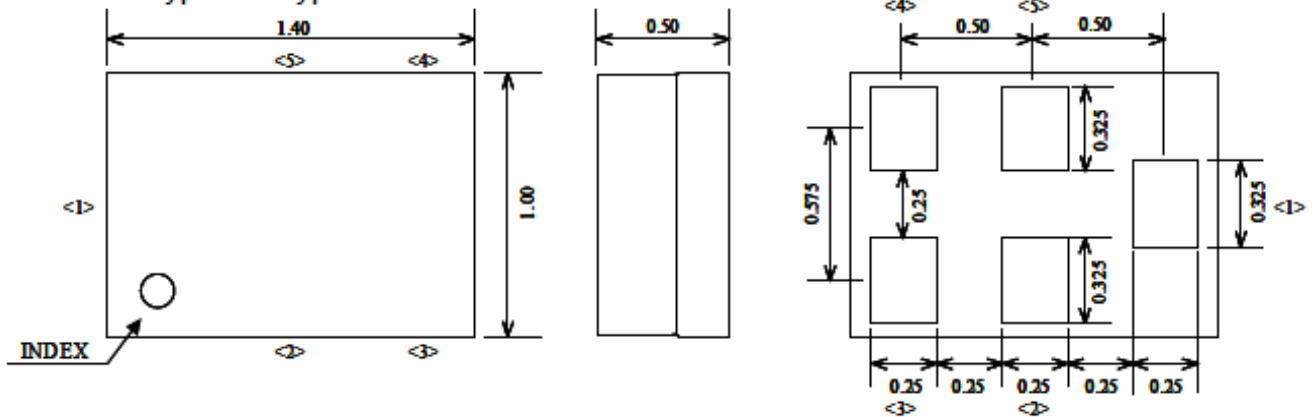
Parameters Description		Unit	Min.	Typ.	Max.	Remarks
Insertion Loss	2400 ~ 2483.5MHz	dB	-	3.0	3.5	
Amplitude Ripple	2400 ~ 2483.5MHz	dB	-	1.2	1.9	
VSWR	Input	2400 ~ 2483.5MHz	dB	-	2.1	2.5
	Output		dB	-	2.1	2.5
Max. Input Power	2400 ~ 2483.5MHz	dBm	+23dBm(200mW) > 10kh Spectrum spread signal (IEEE.802.11g) Ta=+55°C			
DC ~ 1000MHz		dB	40	49	-	
1000 ~ 1570MHz		dB	37	47	-	
1570 ~ 1700MHz		dB	35	44	-	
1700 ~ 1880MHz		dB	34	40	-	
1880 ~ 1990MHz		dB	33	37	-	
1990 ~ 2170MHz		dB	31	33	-	
2700 ~ 4800MHz		dB	19	24	-	
4800 ~ 5000MHz		dB	18	24	-	

SAW Filter 2441.750MHz
Part No: MP06516

Model: TA1834A
Rev No: 1

C. OUTLINE DRAWING:

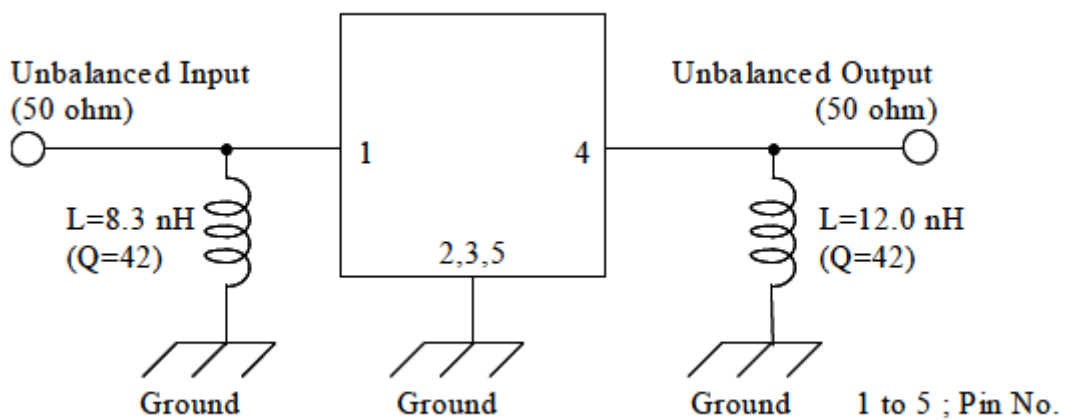
Device size: 1.4typ. x 1.0typ. x 0.5max



Pin Configuration

Pin No.	Symbol	Function
1	IN	Input
2	GND	Ground
3	GND	Ground
4	OUT	Output
5	GND	Ground

D. MEASUREMENT CIRCUIT:

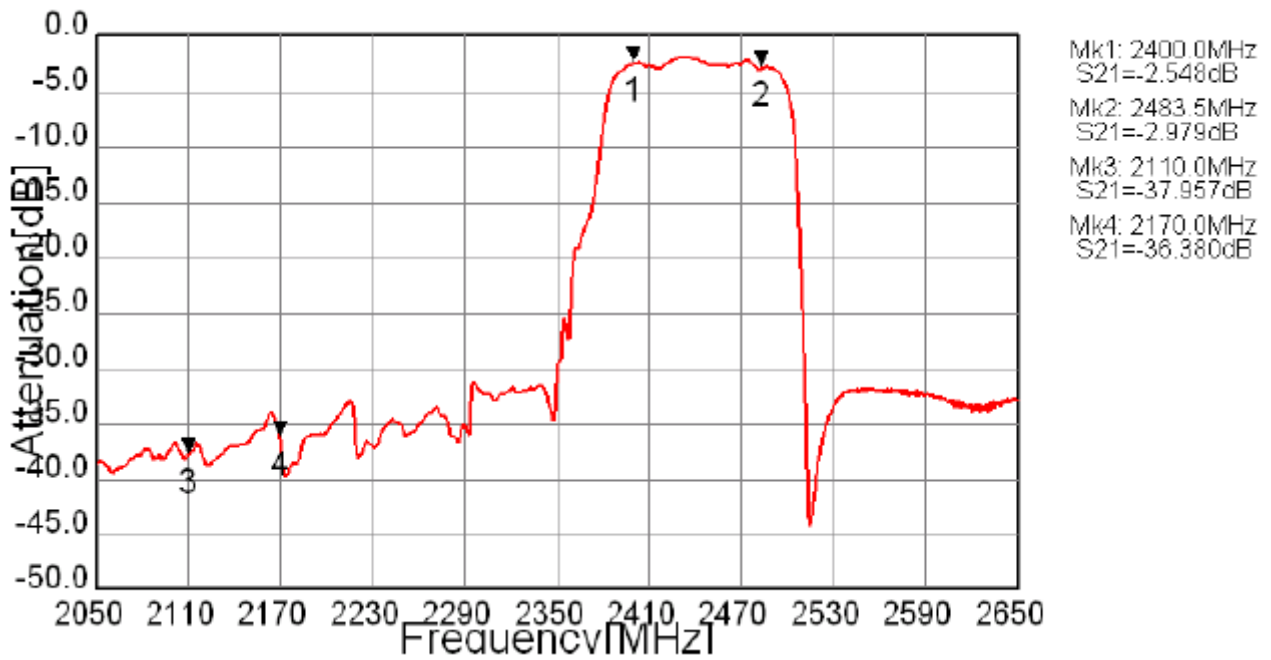


SAW Filter 2441.750MHz
Part No: MP06516

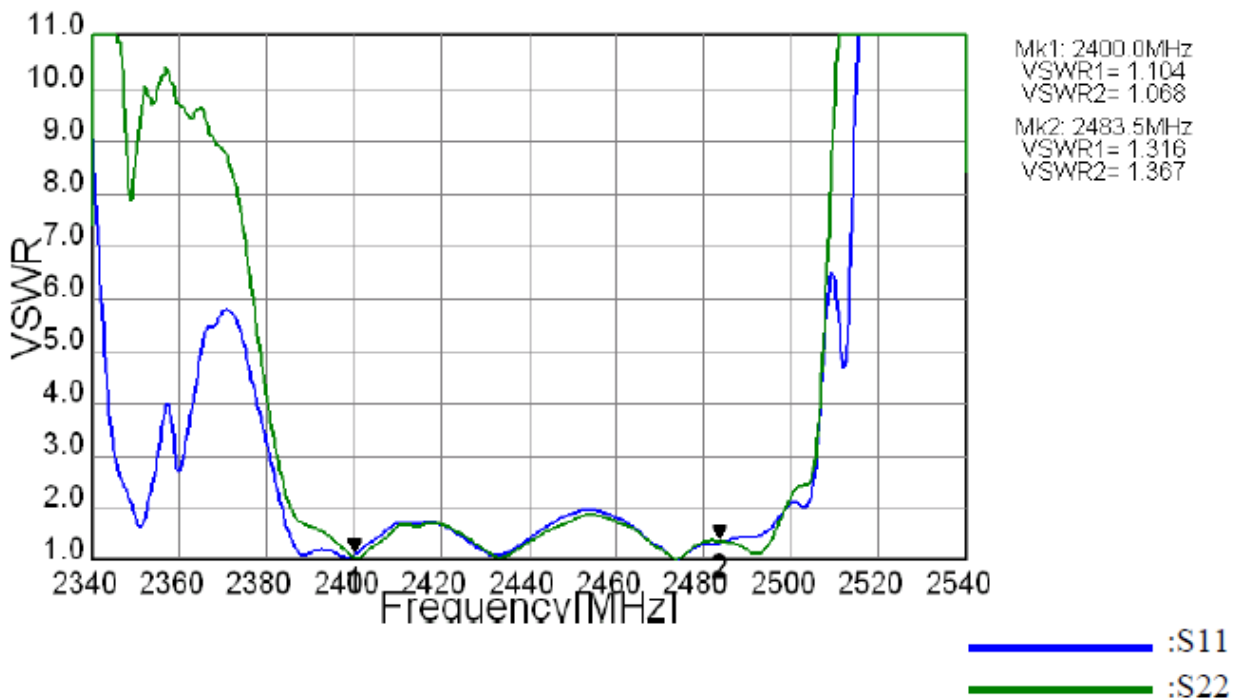
Model: TA1834A
Rev No: 1

E. FREQUENCY CHARACTERISTICS:

Pass-band



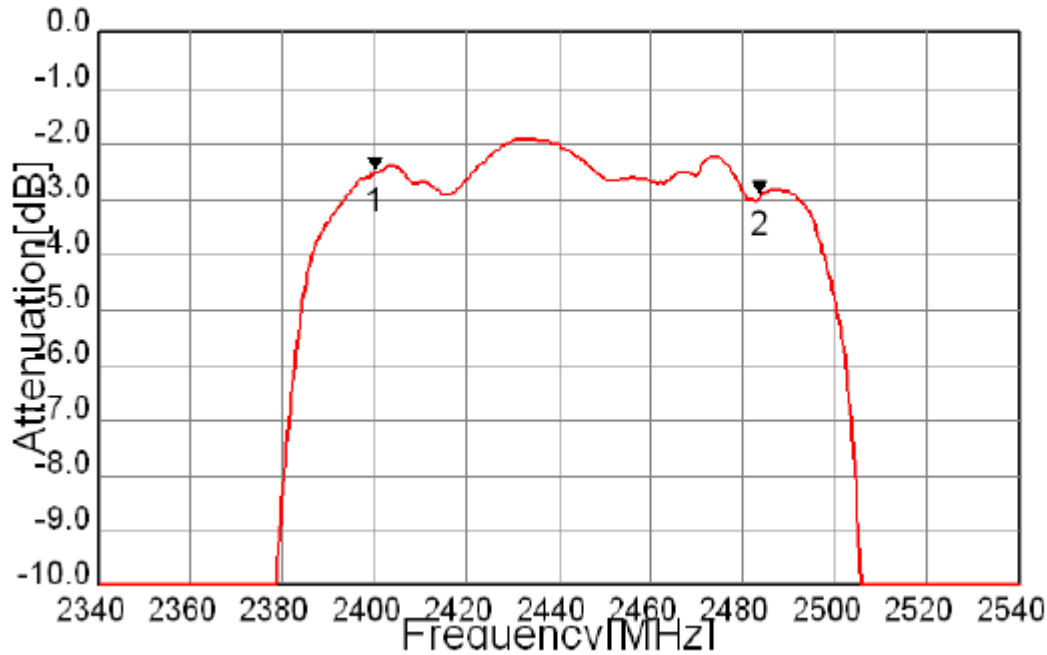
VSWR



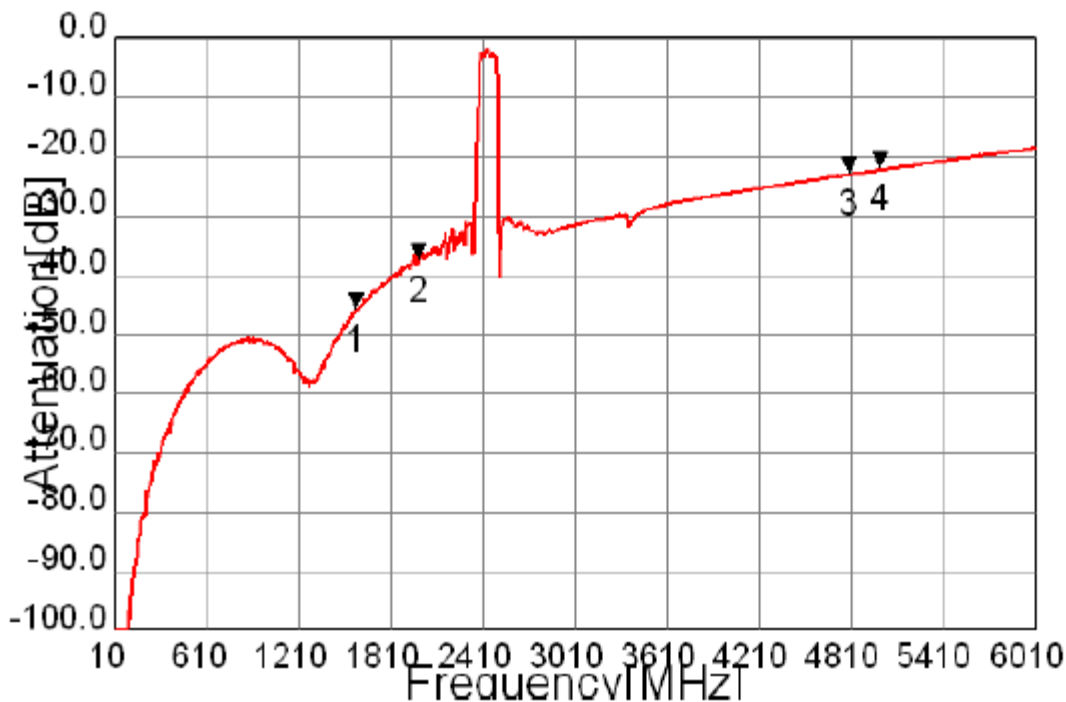
SAW Filter 2441.750MHz
Part No: MP06516

Model: TA1834A
Rev No: 1

In-band



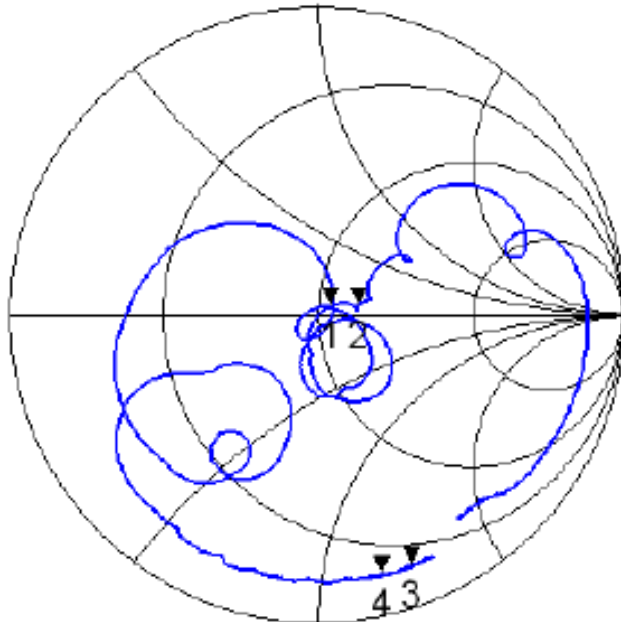
Wide-band



SAW Filter 2441.750MHz
Part No: MP06516

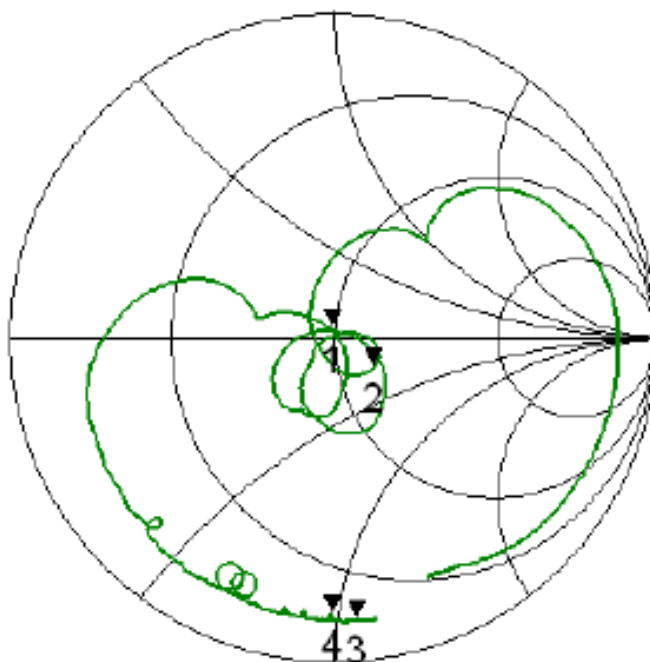
Model: TA1834A
Rev No: 1

Input Impedance



Mk1: 2400.0
S11= 1.082 + j 0.062
Mk2: 2483.5
S11= 1.303 + j 0.086
Mk3: 2110.0
S11= 0.209 - j 1.422
Mk4: 2170.0
S11= 0.185 - j 1.265

Output Impedance



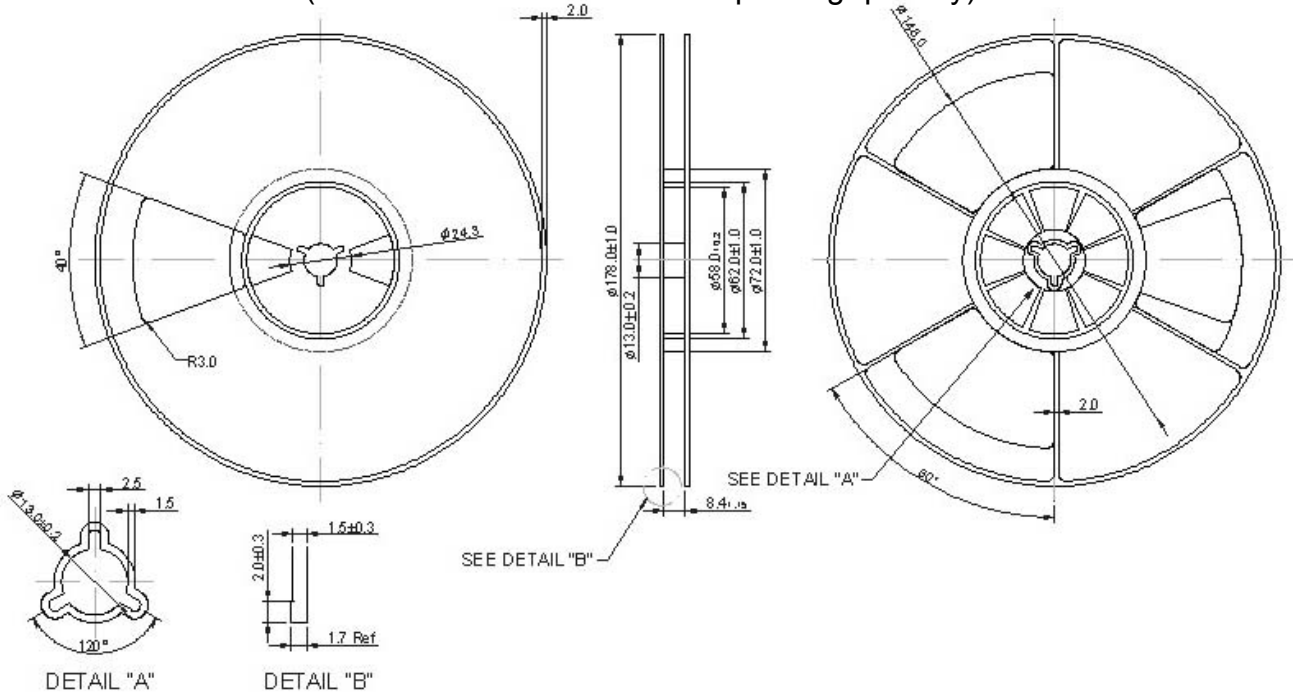
Mk1: 2400.0
S22= 0.982 + j 0.062
Mk2: 2483.5
S22= 1.248 - j 0.248
Mk3: 2110.0
S22= 0.145 - j 1.072
Mk4: 2170.0
S22= 0.157 - j 0.978

SAW Filter 2441.750MHz
Part No: MP06516

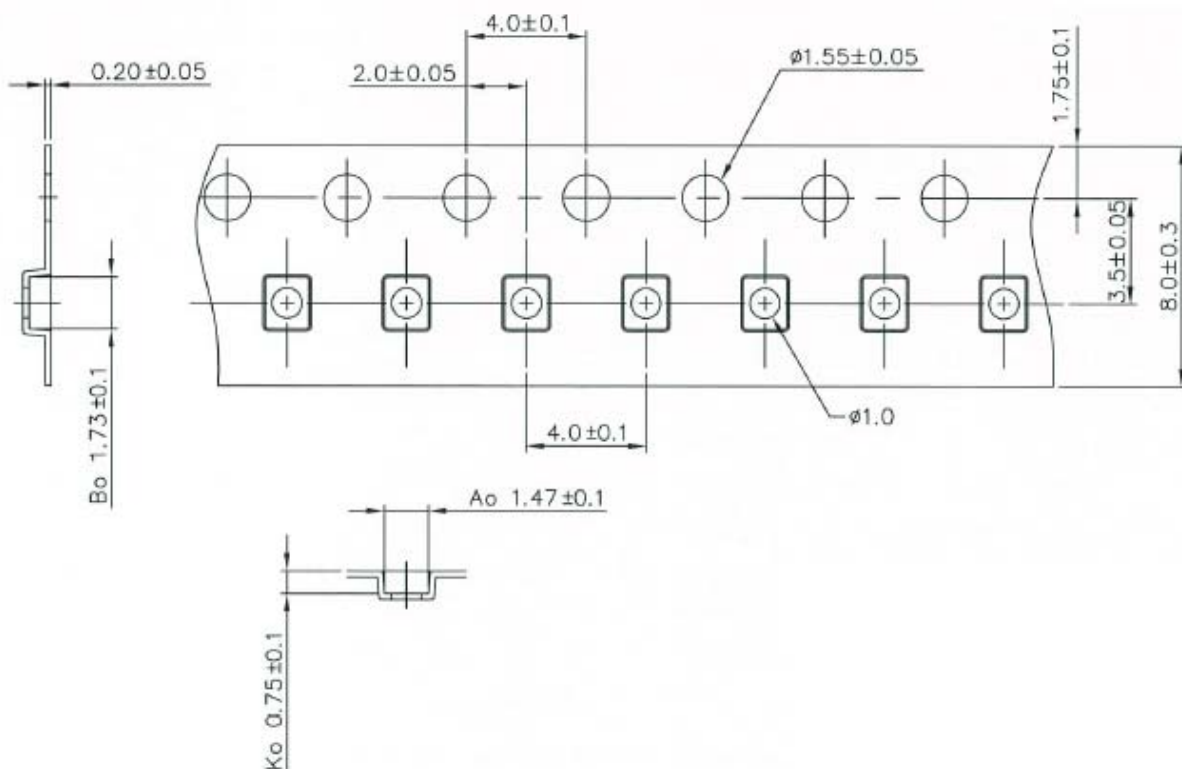
Model: TA1834A
Rev No: 1

F. PACKING:

1. Reel Dimension (Please refer to FR-75D10 for packing quantity)



2. Tape Dimension



SAW Filter 2441.750MHz
Part No: MP06516

Model: TA1834A
Rev No: 1

G. RECOMMENDED REFLOW PROFILE:

