

**SAW Filter 921.50MHz**

**Model: TA1306A**

**Part No: MP06383**

**Rev. No: 1**

**A. MAXIMUM RATING:**

1. Input Power Level: 10dBm
2. DC Voltage: 3V
3. Operating Temperature: -40°C to +85°C
4. Storage Temperature: -40°C to +85°C

**B. ELECTRICAL CHARACTERISTICS:**

Item	Unit	Min.	Typ.	Max.	Note
Center Frequency Fc	MHz	-	921.5	-	-
Insertion Loss (915 ~ 928MHz) IL	dB	-	2	3	-
Amplitude Ripple (915 ~ 928MHz)	dB	-	0.3	1	-
I/O Return Loss (915 ~ 928MHz)	dB	10	12	-	-
Group Delay Variation (915 ~ 928MHz)	ns	-	15	50	-
Attenuation (Reference level from 0dB)					
D.C ~ 857.5MHz	dB	40	52	-	-
857.5 ~ 895MHz	dB	22	45	-	-
970 ~ 1005MHz	dB	35	40	-	-
1005 ~ 1110MHz	dB	40	56	-	-
1110 ~ 3000MHz	dB	30	39	-	-
Temperature Coefficient of Frequency	ppm/°C	-	-36	-	-

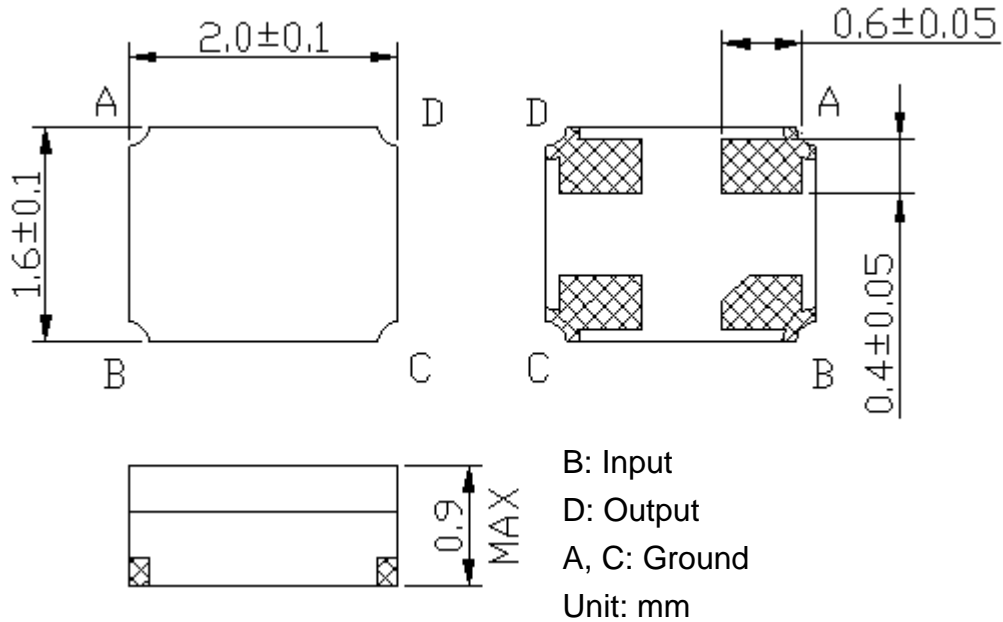
**SAW Filter 921.50MHz**

**Model: TA1306A**

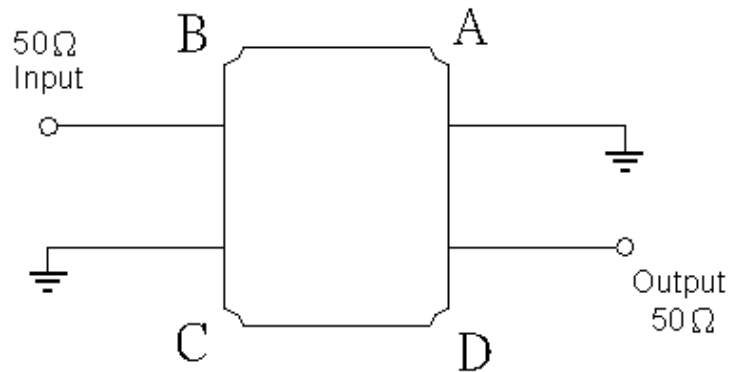
**Part No: MP06383**

**Rev. No: 1**

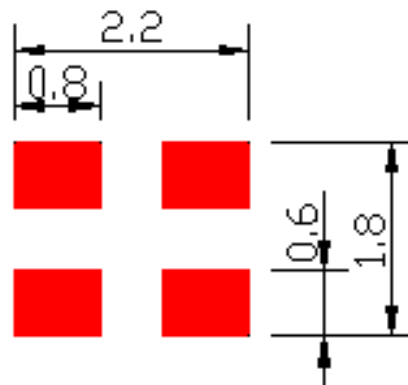
**C. OUTLINE DRAWING:**



**D. MEASUREMENT CIRCUIT:**



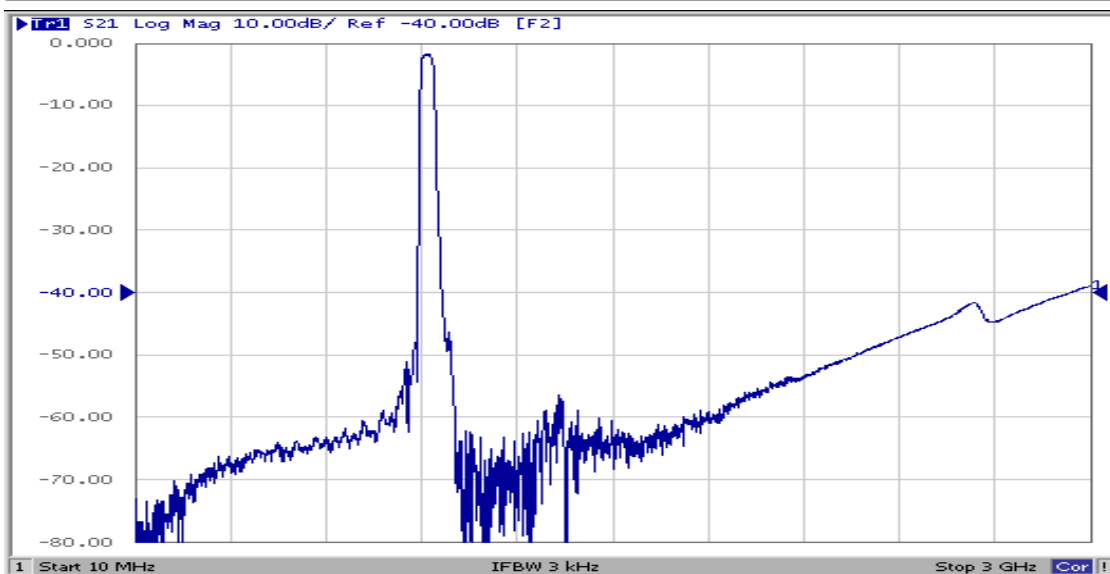
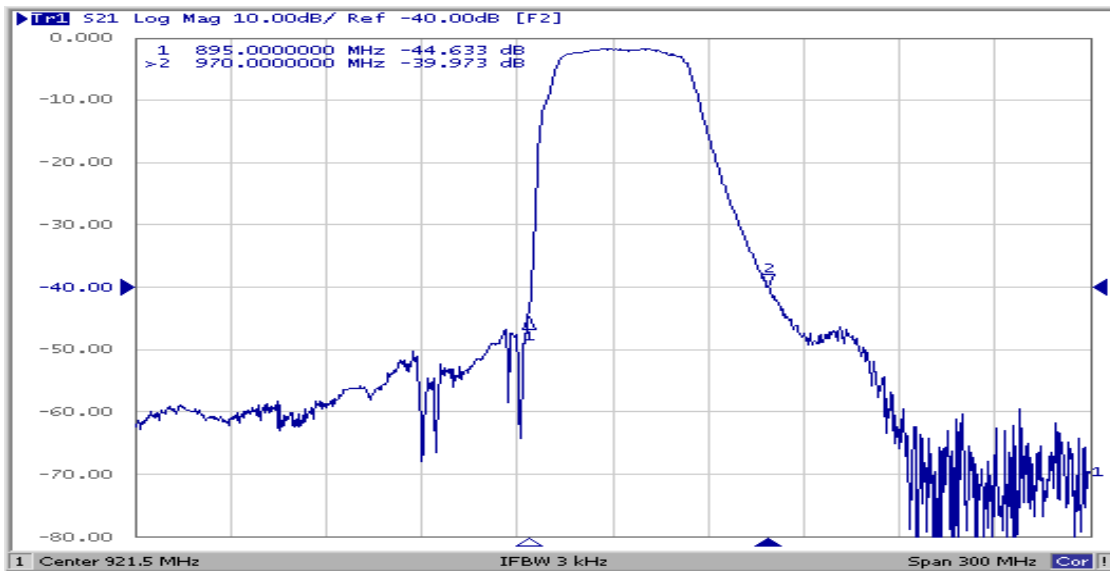
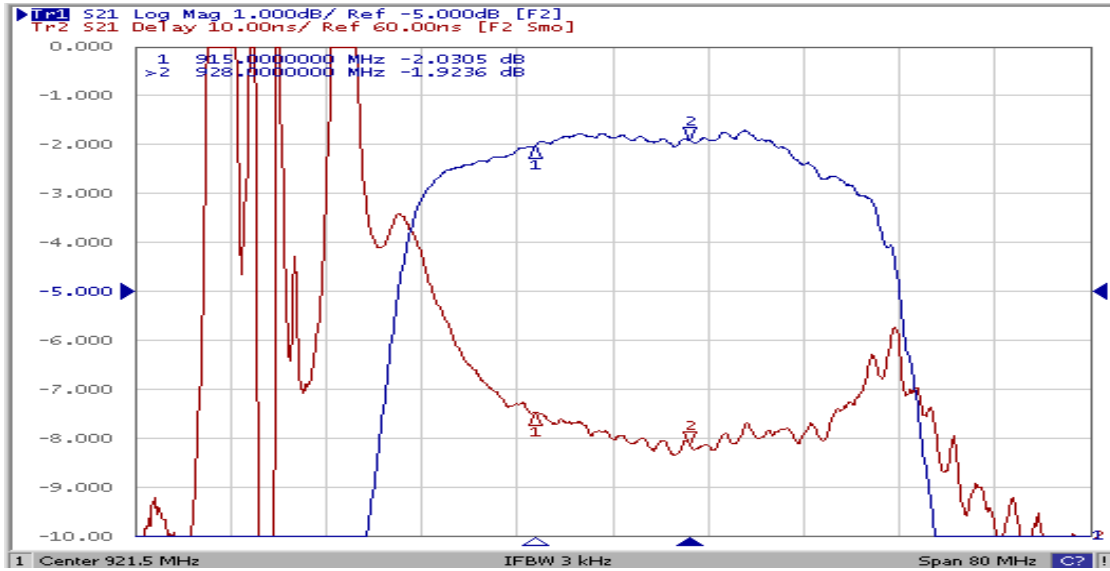
**E. PCB FOOTPRINT:**



**SAW Filter 921.50MHz**  
**Part No: MP06383**

**Model: TA1306A**  
**Rev. No: 1**

**F. FREQUENCY CHARACTERISTICS:**

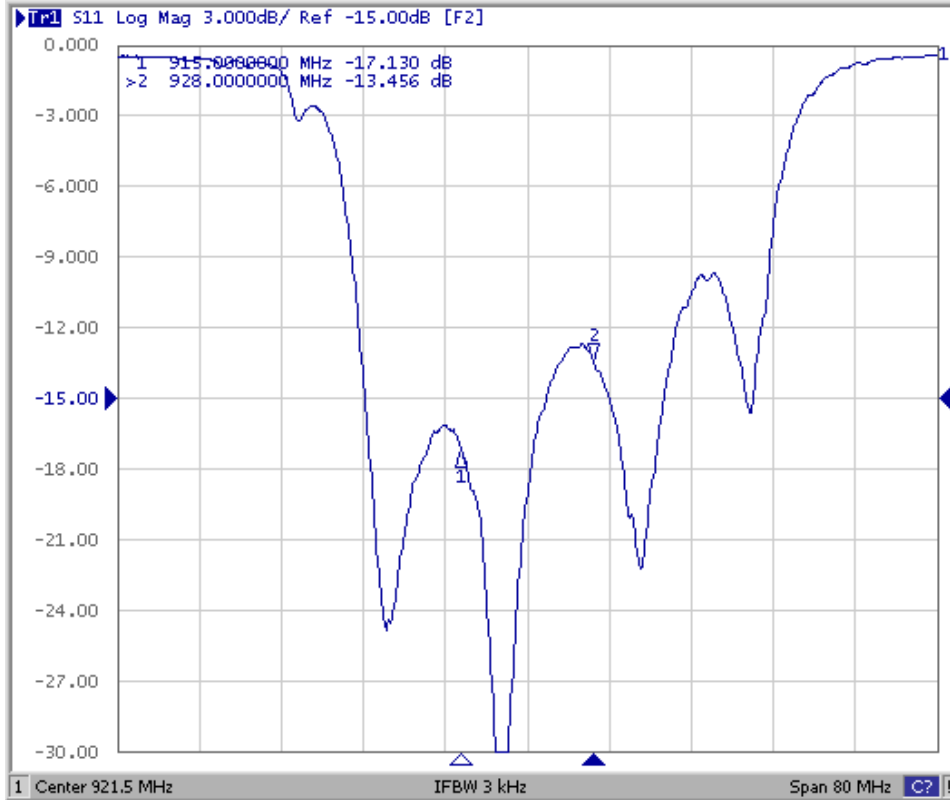


**SAW Filter 921.50MHz**  
**Part No: MP06383**

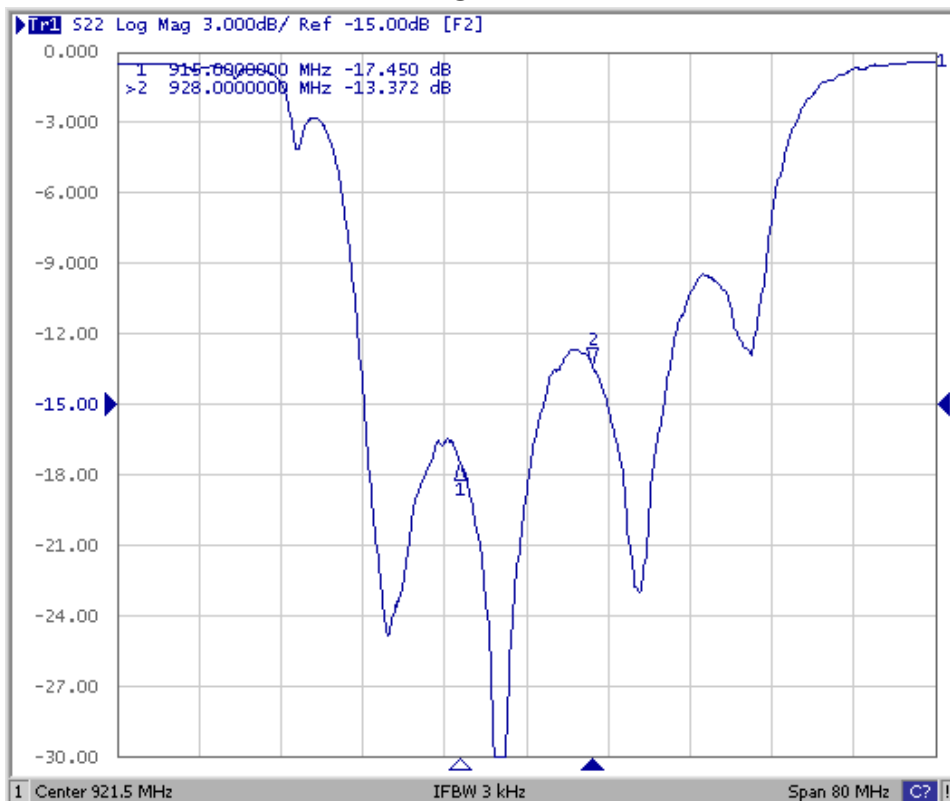
**Model: TA1306A**  
**Rev. No: 1**

Reflection Functions

S11



S22

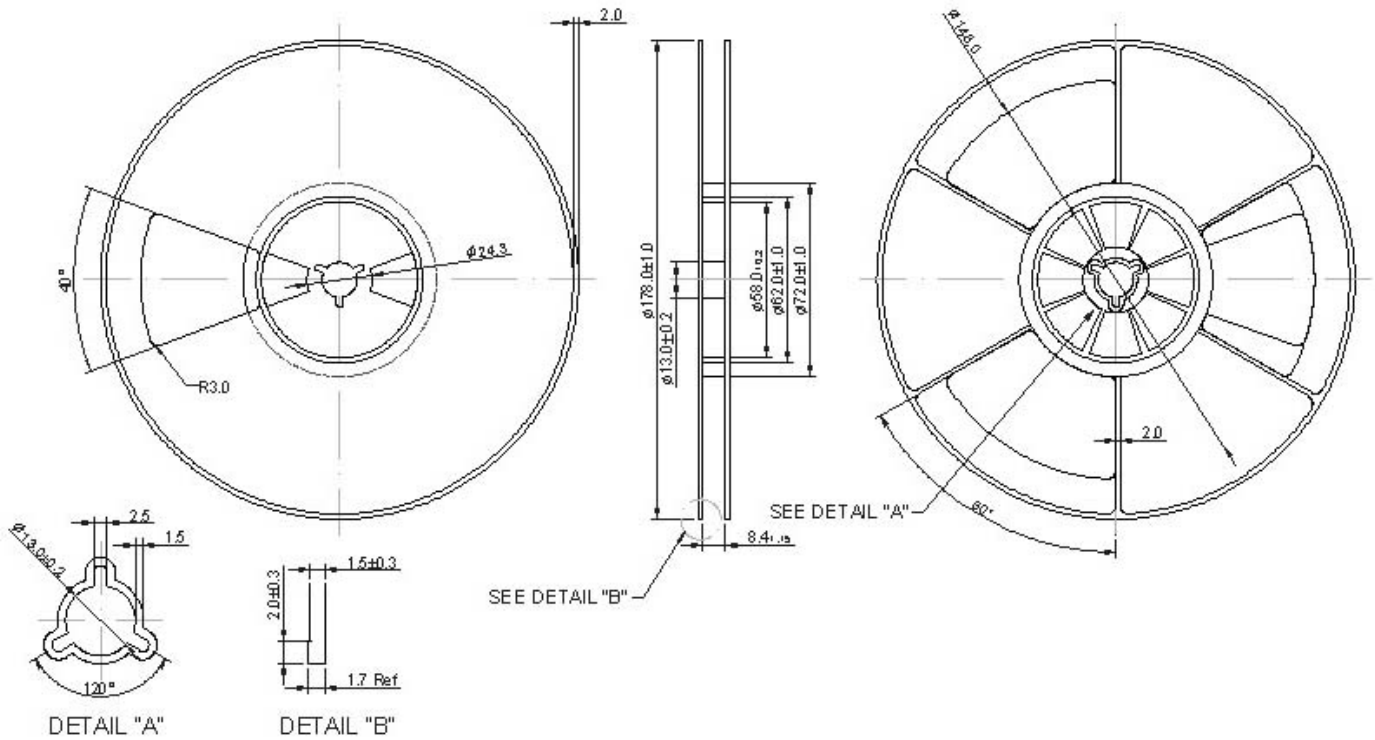


**SAW Filter 921.50MHz**  
**Part No: MP06383**

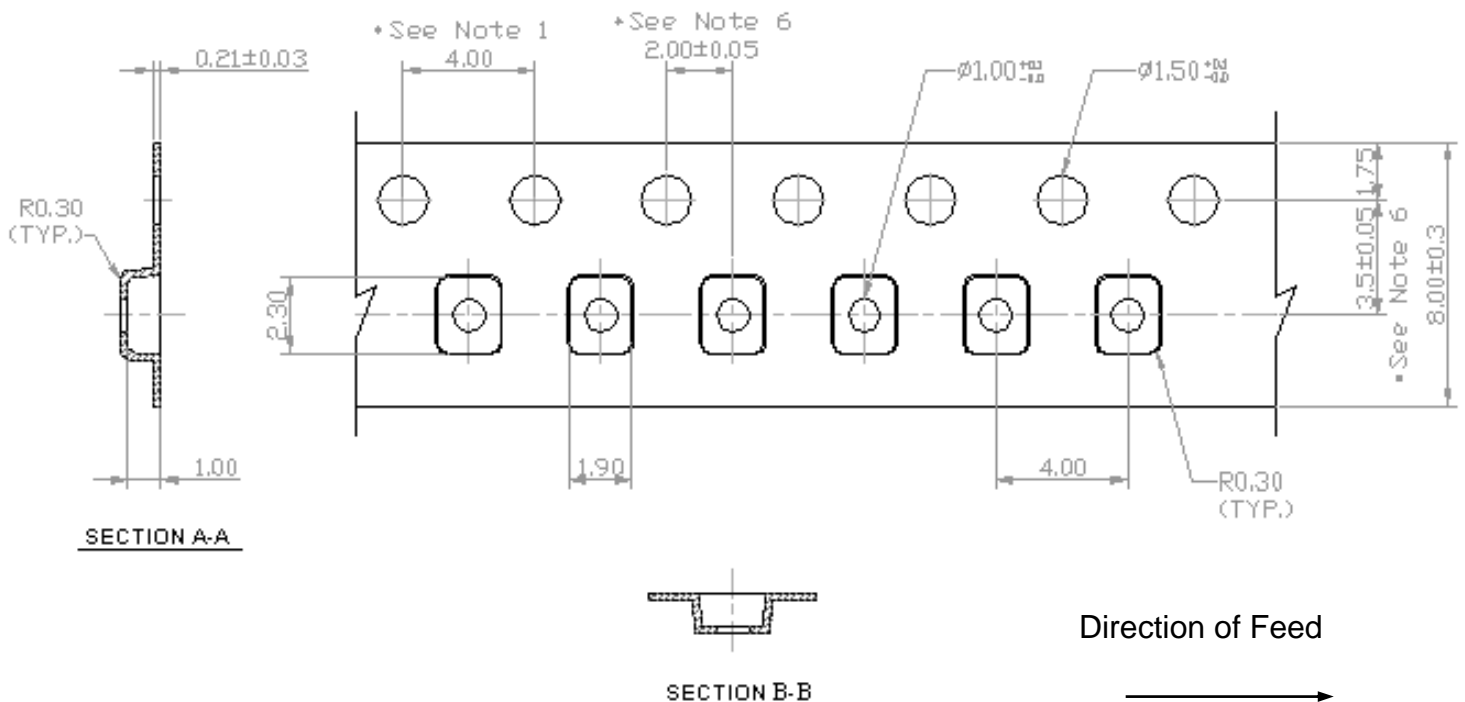
**Model: TA1306A**  
**Rev. No: 1**

**G. PACKING:**

1. Reel Dimension



2. Tape Dimension



**SAW Filter 921.50MHz**  
**Part No: MP06383**

**Model: TA1306A**  
**Rev. No: 1**

**H. RECOMMENDED REFLOW PROFILE:**

