

SAW Filter 2450.0MHz
Part No: MP04220

Model: TA1198A
Rev No. 1

A. MAXIMUM RATING:

1. Input Power Level: 10dBm
2. DC Voltage: 3V
3. Operating Temperature: -20°C to +70°C
4. Storage Temperature: -30°C to +85°C

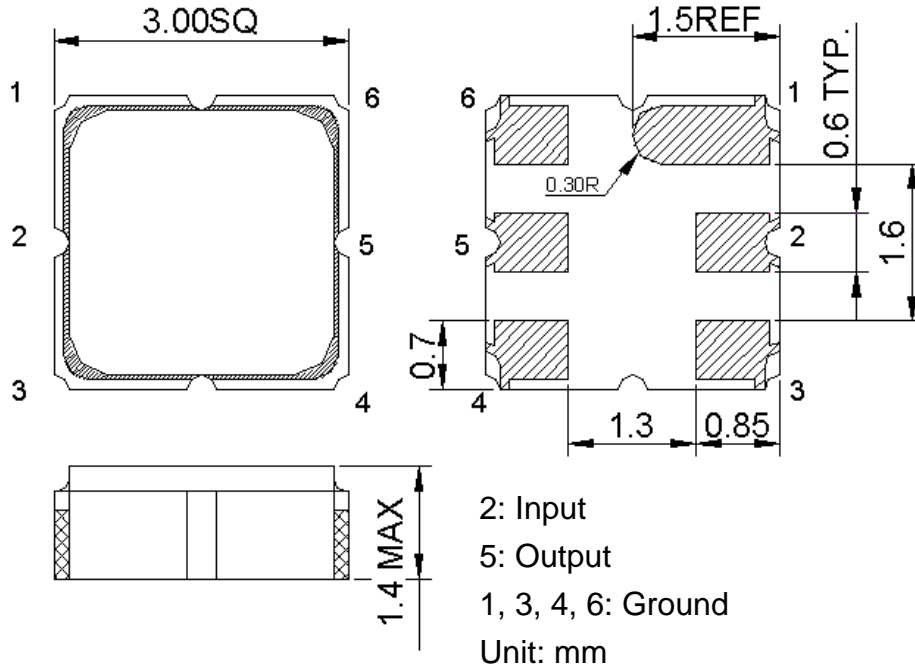
B. ELECTRICAL CHARACTERISTICS:

Item	Unit	Min.	Typ.	Max.	Note
Center Frequency Fc	MHz	-	2450	-	-
Insertion Loss (2425 ~ 2475 MHz) IL	dB	-	2.5	3.5	-
Amplitude Ripple (2425 ~ 2475MHz)	dB	-	0.9	2	-
VSWR (2425 ~ 2475MHz)		-	2	2.5	-
Attenuation (Reference level from 0dB)					
DC ~ 2330MHz	dB	25	31	-	-
2330 ~ 2360MHz	dB	30	40	-	-
2600 ~ 3500MHz	dB	30	38	-	-
Temperature Coefficient of Frequency	ppm/°C	-	-36	-	-

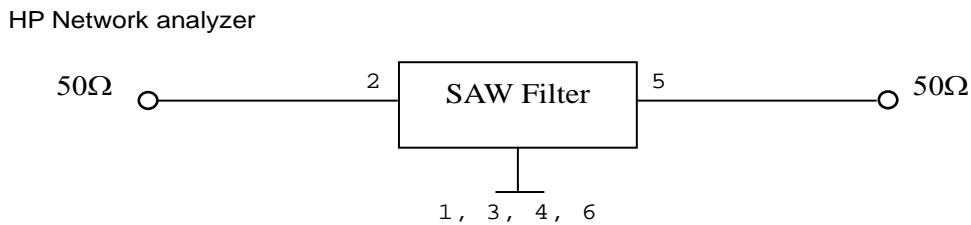
SAW Filter 2450.0MHz
Part No: MP04220

Model: TA1198A
Rev No. 1

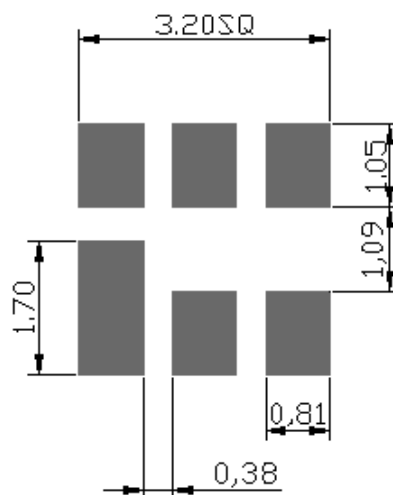
C. OUTLINE DRAWING:



D. MEASUREMENT CIRCUIT:



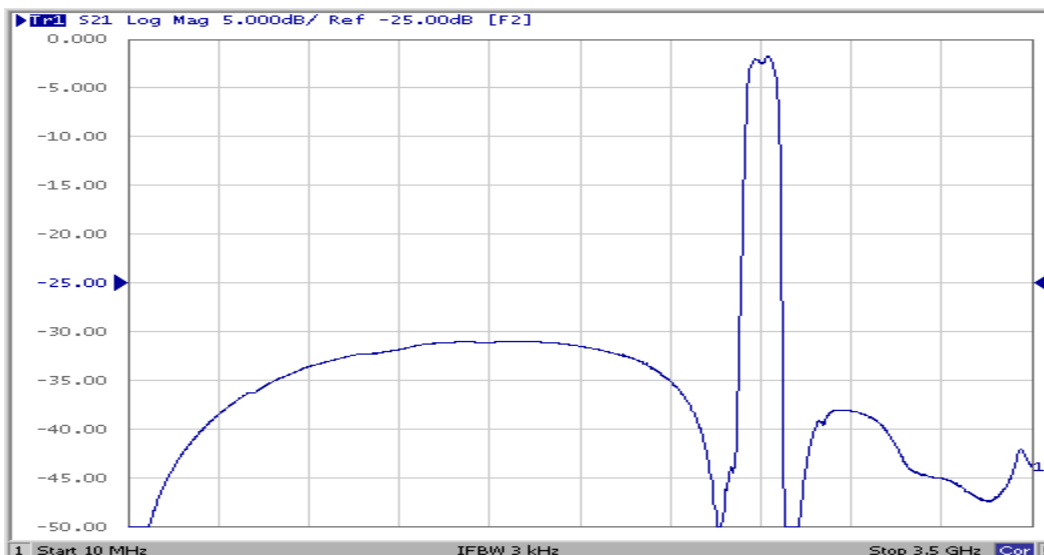
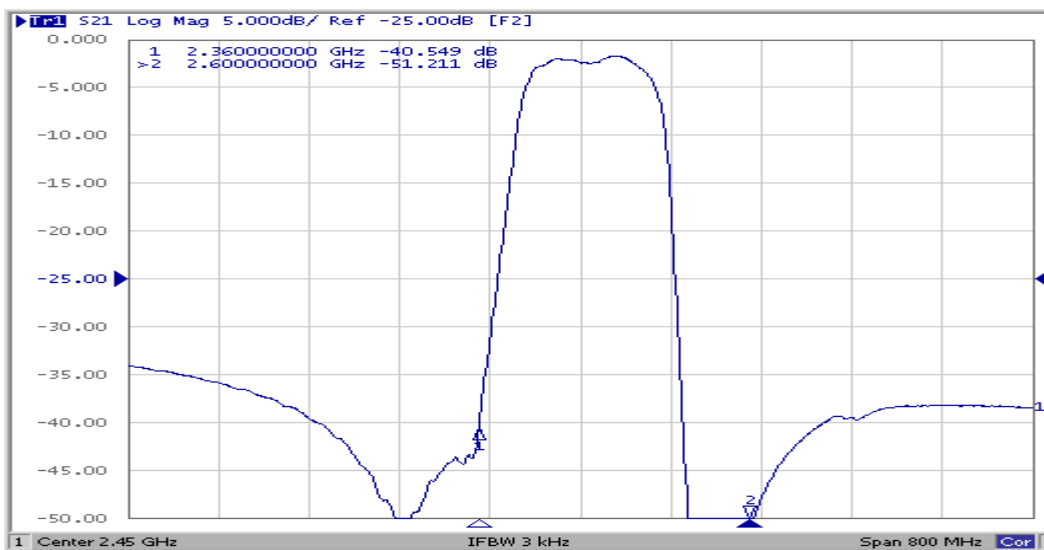
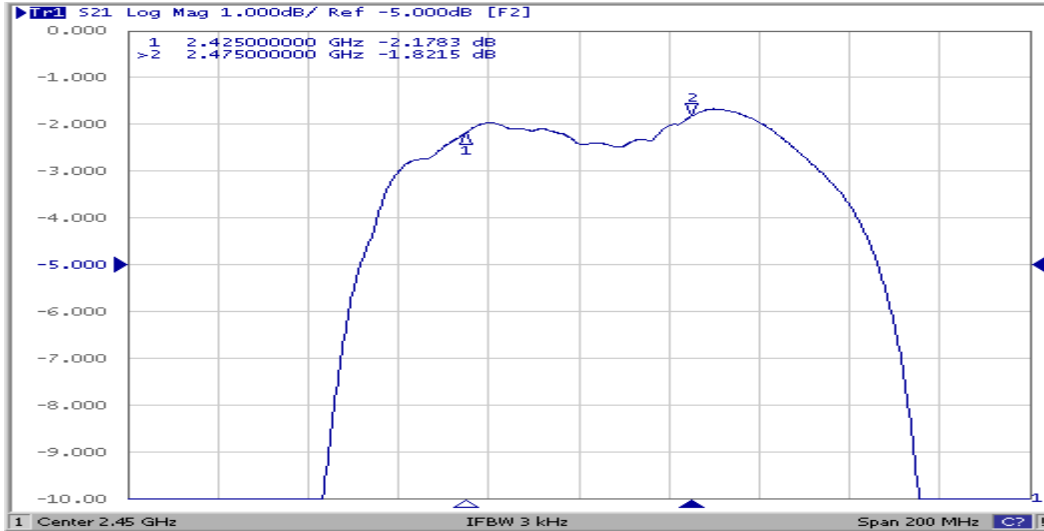
E. PCB FOOTPRINT:



SAW Filter 2450.0MHz
Part No: MP04220

Model: TA1198A
Rev No. 1

F. FREQUENCY CHARACTERISTICS:

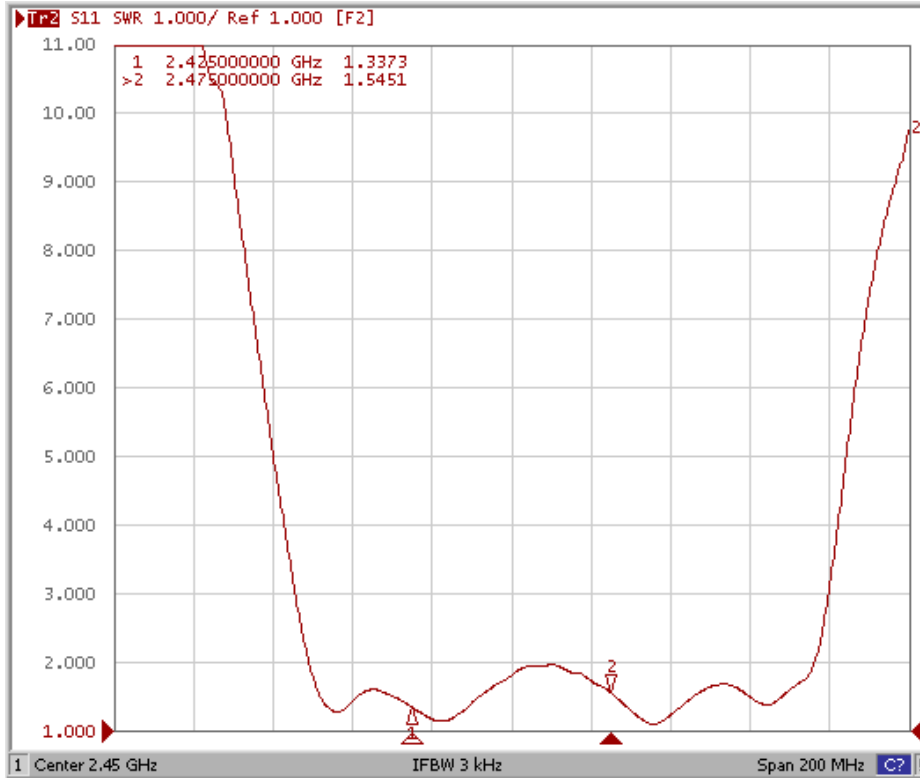


SAW Filter 2450.0MHz
Part No: MP04220

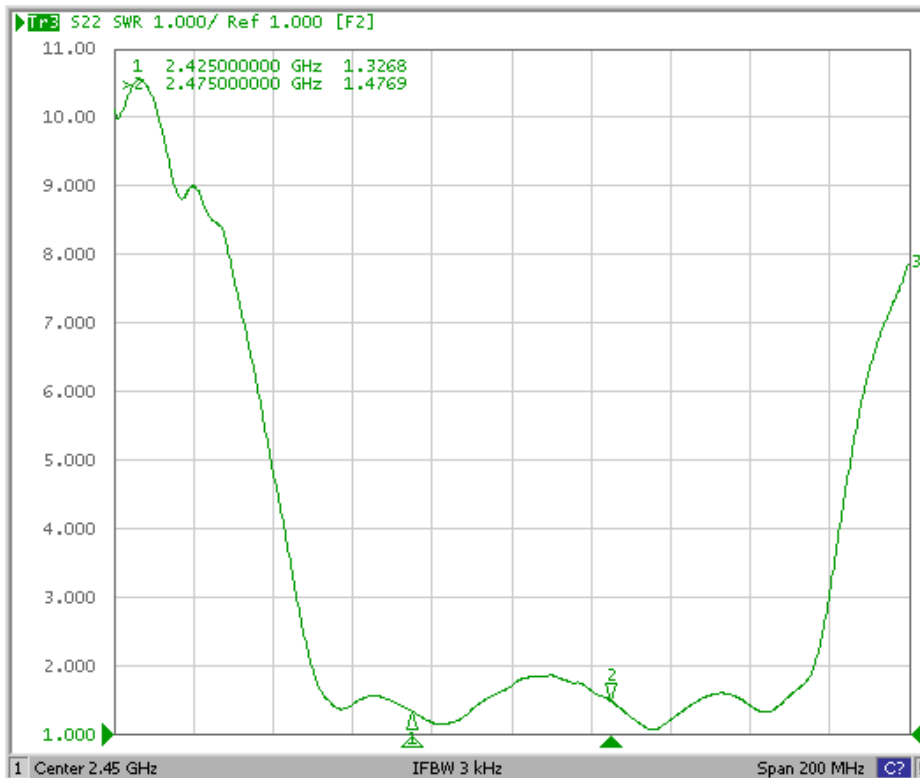
Model: TA1198A
Rev No. 1

Reflection Functions

S11



S22



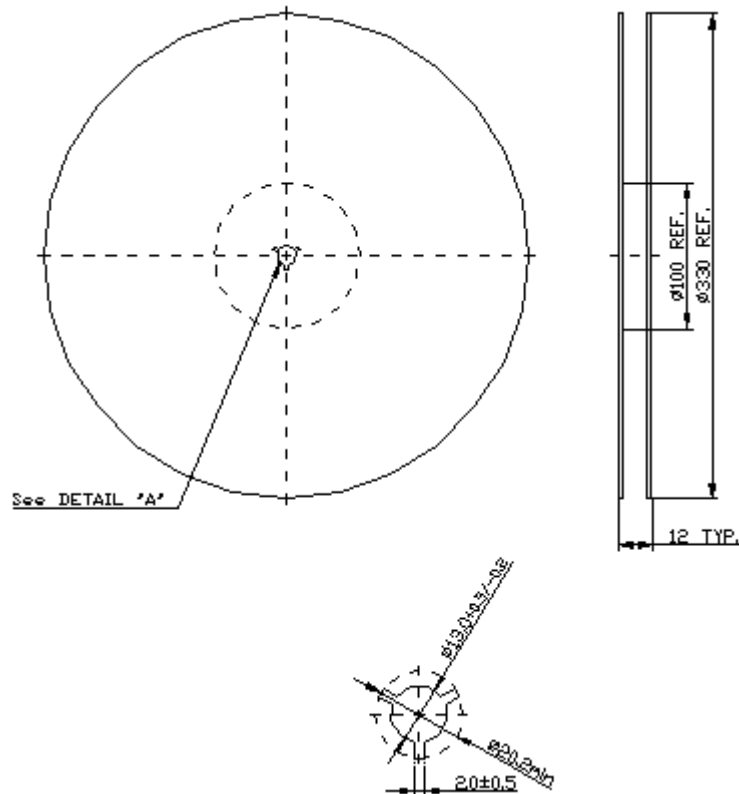
SAW Filter 2450.0MHz
Part No: MP04220

Model: TA1198A
Rev No. 1

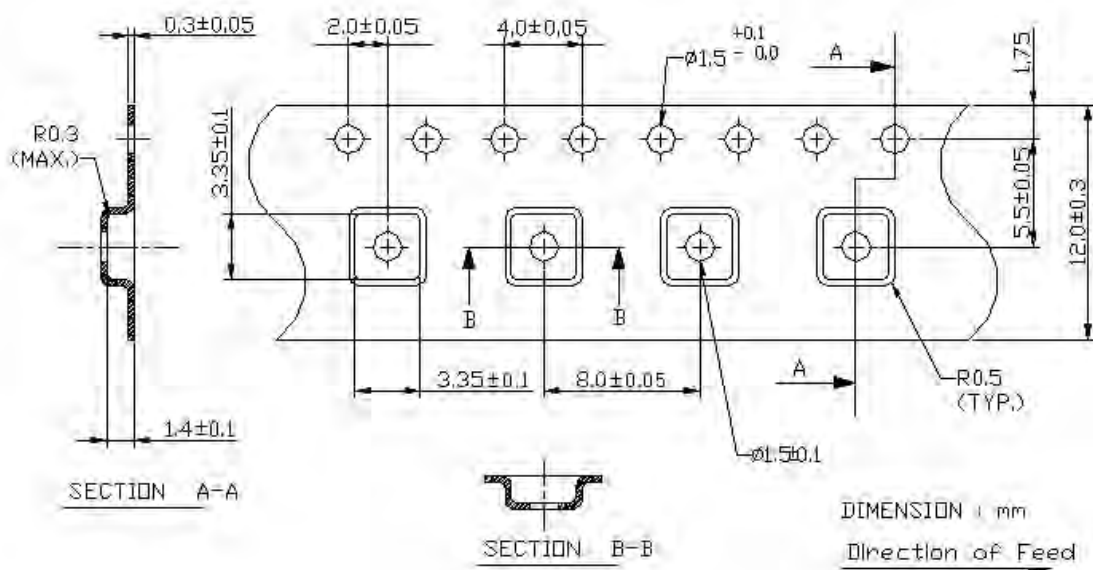
G. PACKING:

1. Reel Dimension

(Reel Count: 7" = 1000; 13" = 3000)



2. Tape Dimension



SAW Filter 2450.0MHz
Part No: MP04220

Model: TA1198A
Rev No. 1

H. RECOMMENDED REFLOW PROFILE:

