
SAW Filter 618MHz
Part No: MP03021

Model: TA1202A
Rev No: 1

A. MAXIMUM RATING:

1. Input Power Level: +10dBm
2. DC Voltage: 5V
3. Operating Temperature: -30°C to +75°C
4. Storage Temperature: -40°C to +85°C

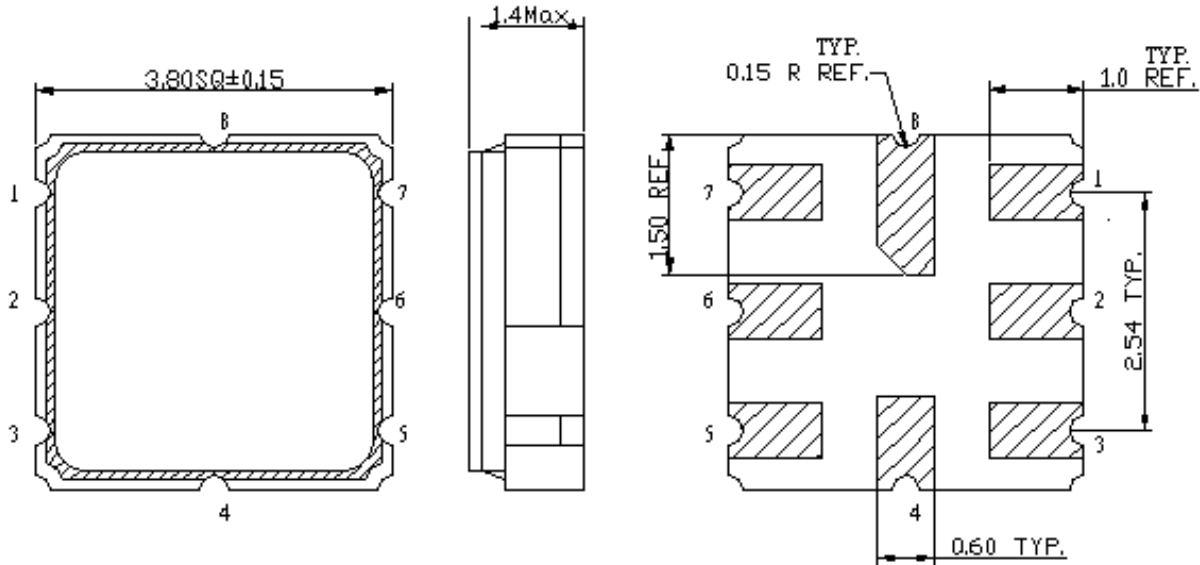
B. ELECTRICAL CHARACTERISTICS:

Item	Unit	Min.	Typ.	Max.	Note
Center Frequency Fc	MHz	-	618	-	-
Insertion Loss (606 ~ 630MHz) IL	dB	-	2.2	3.3	-
Amplitude Ripple (606 ~ 630MHz)	dB	-	0.7	1.8	-
Bandwidth @ -3dB	MHz	24	32.5	-	-
Group Delay Variation (606 ~ 630MHz)	ns	-	40	200	-
Attenuation (Reference level from 0dB)					
DC ~ 550MHz	dB	40	57	-	-
550 ~ 590MHz	dB	10	49	-	-
655 ~ 720MHz	dB	10	39	-	-
720 ~ 850MHz	dB	40	50	-	-
850 ~ 1126MHz	dB	45	48	-	-

SAW Filter 618MHz
Part No: MP03021

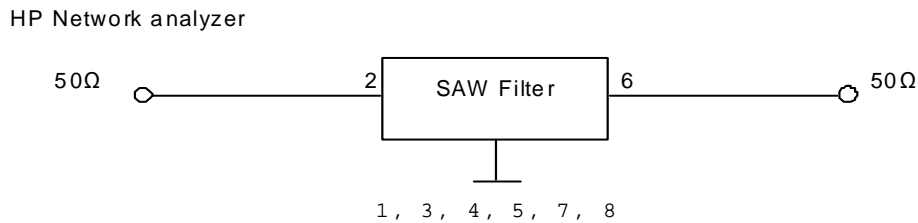
Model: TA1202A
Rev No: 1

C. OUTLINE DRAWING:

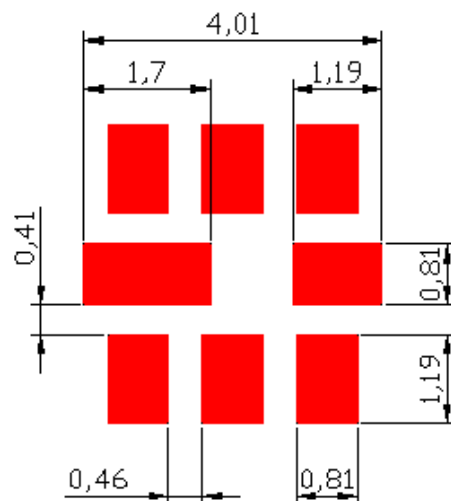


- 2: Input
- 6: Output
- 1, 3, 4, 5, 7, 8: Ground
- Unit: mm

D. MEASUREMENT CIRCUIT:



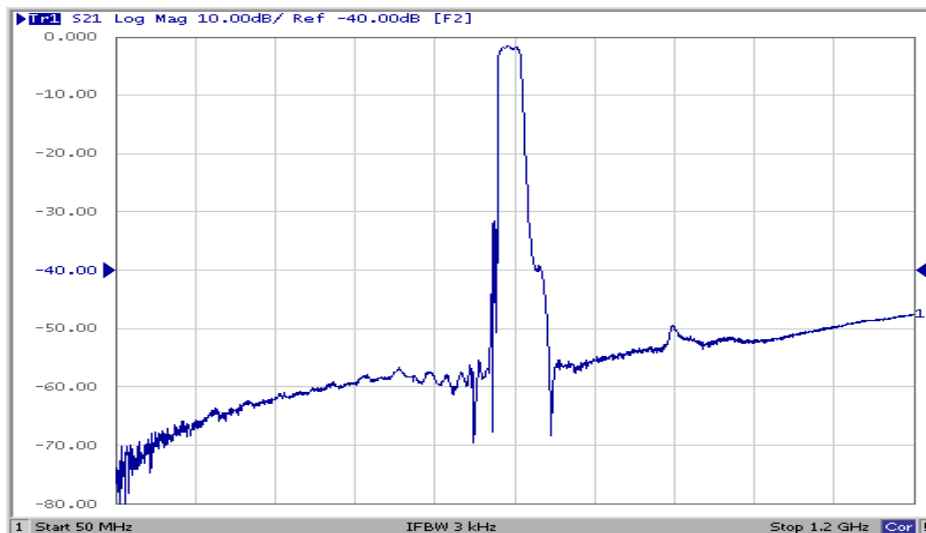
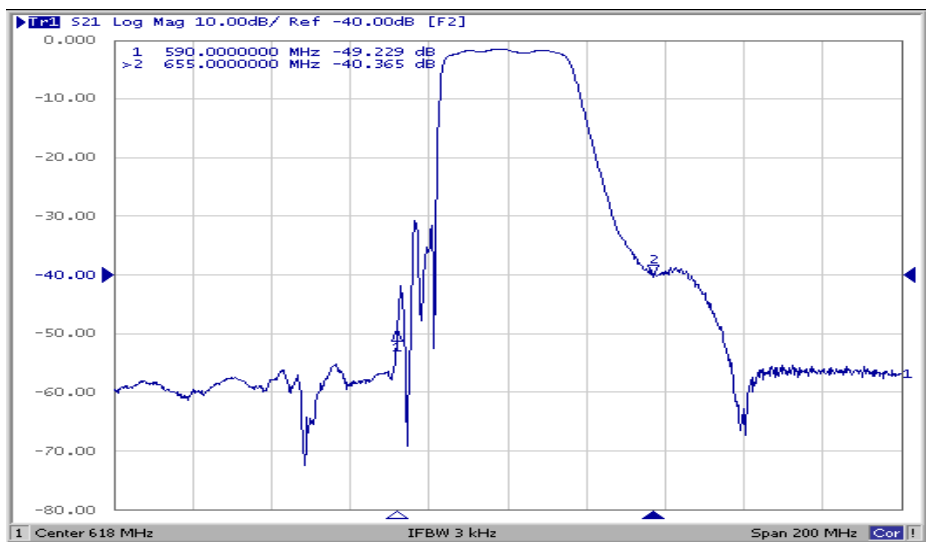
E. PCB FOOTPRINT:



SAW Filter 618MHz
Part No: MP03021

Model: TA1202A
Rev No: 1

F. FREQUENCY CHARACTERISTICS:



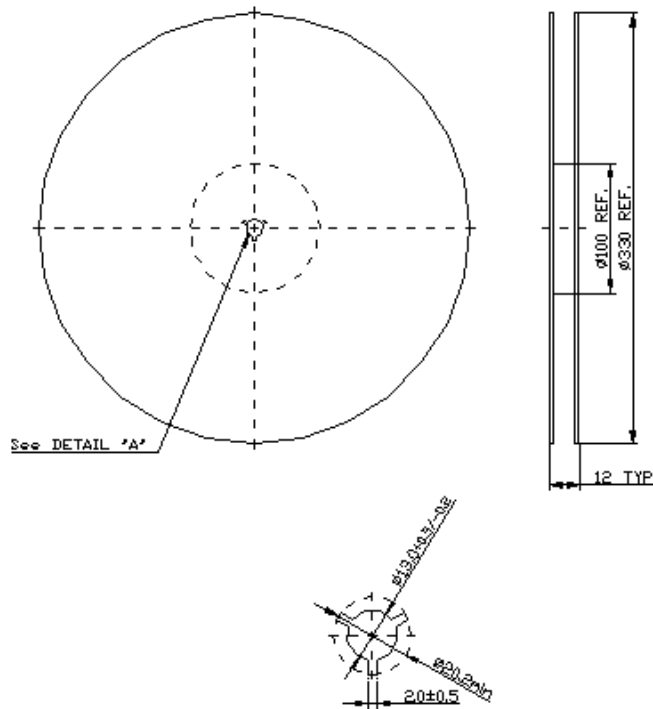
SAW Filter 618MHz
Part No: MP03021

Model: TA1202A
Rev No: 1

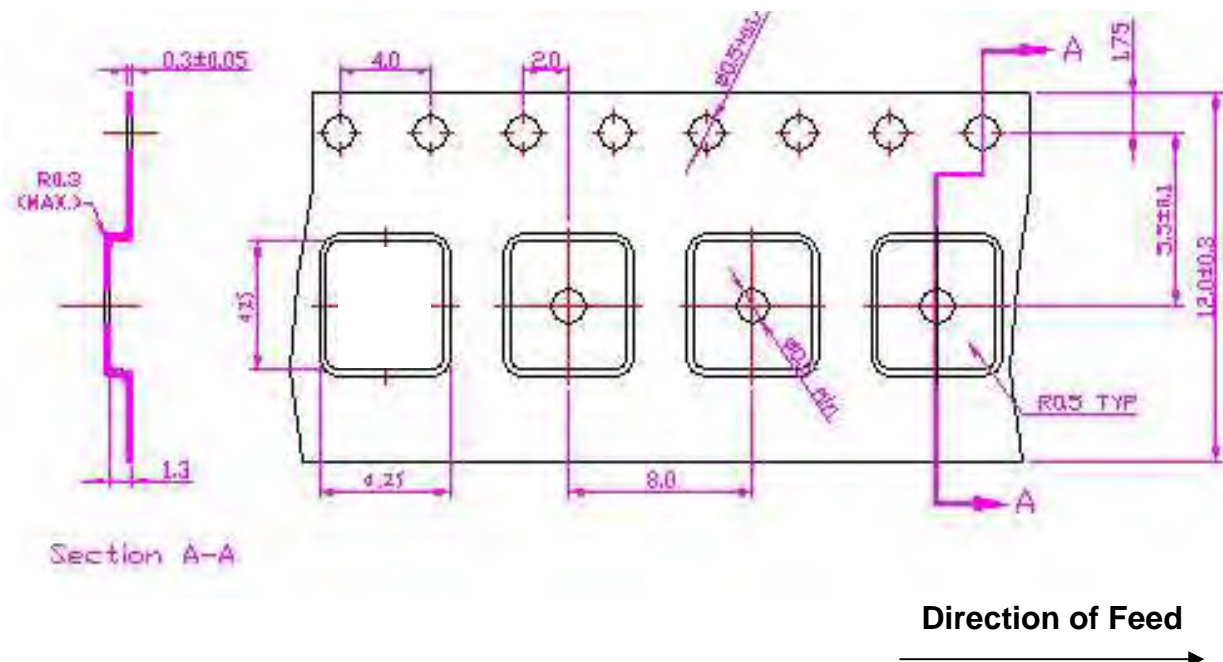
G. PACKING:

1. REEL DIMENSION

(Reel Count: 7" = 1000; 13" = 3000)



2. TAPE DIMENSION



SAW Filter 618MHz
Part No: MP03021

Model: TA1202A
Rev No: 1

H. RECOMMENDED REFLOW PROFILE:

