

SAW Filter 737.0MHz

Model: TA1211A

Part No: MP04257

Rev No: 1

A. MAXIMUM RATING:

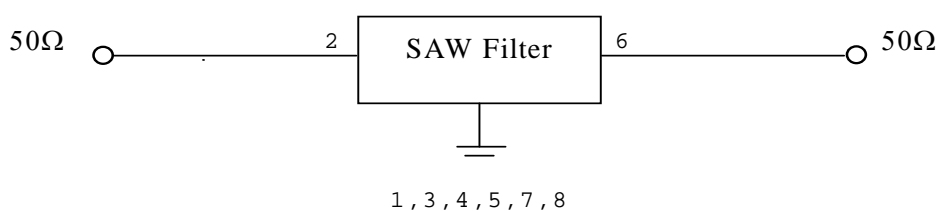
1. Input Power Level: 10dBm
2. DC Voltage: 3V
3. Operating Temperature: 0°C to +50°C
4. Storage Temperature: -30°C to +85°C

B. ELECTRICAL CHARACTERISTICS:

Item	Unit	Min.	Typ.	Max.	Note
Center Frequency Fc	MHz	-	737	-	-
Insertion loss (728 ~ 746MHz) IL	dB	-	2.1	3.5	-
Amplitude Ripple (728 ~ 746MHz)	dB	-	0.6	1.5	-
VSWR (728 ~ 746MHz)	-	-	1.6	2.3	-
Attenuation (Reference level from 0dB)					
Fc -45MHz	dB	40	50	-	-
Fc +45MHz	dB	35	45	-	-

C. MEASUREMENT CIRCUIT:

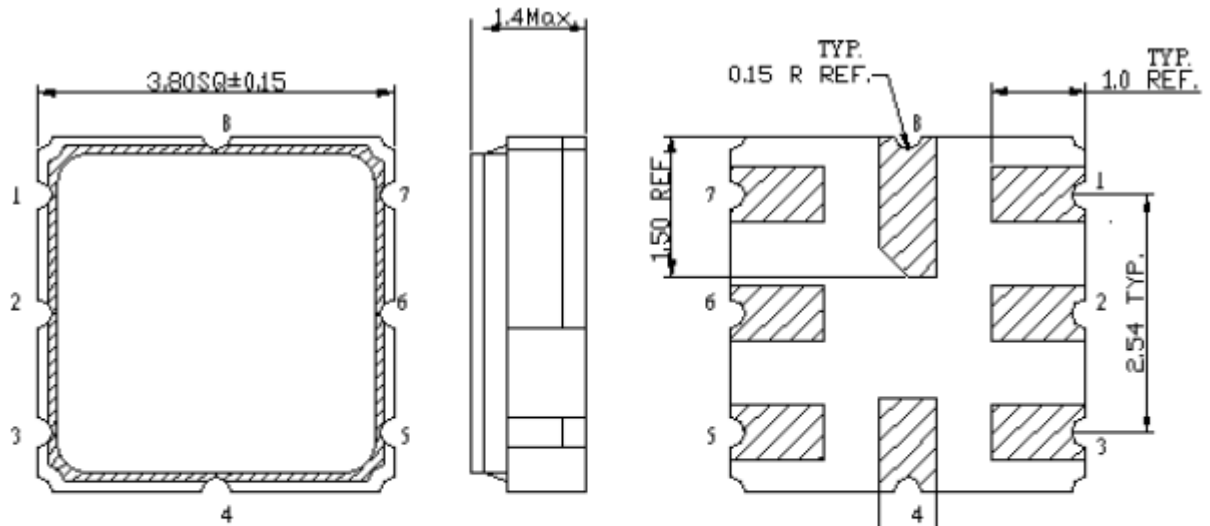
HP Network analyzer



SAW Filter 737.0MHz
Part No: MP04257

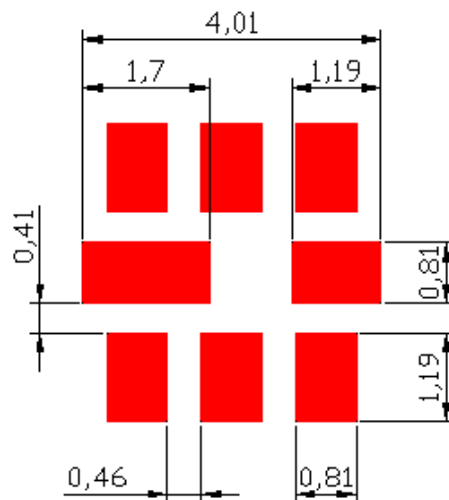
Model: TA1211A
Rev No: 1

D. OUTLINE DRAWING:



2 : Input
 6 : Output
 1,3,4,5,7,8: Ground

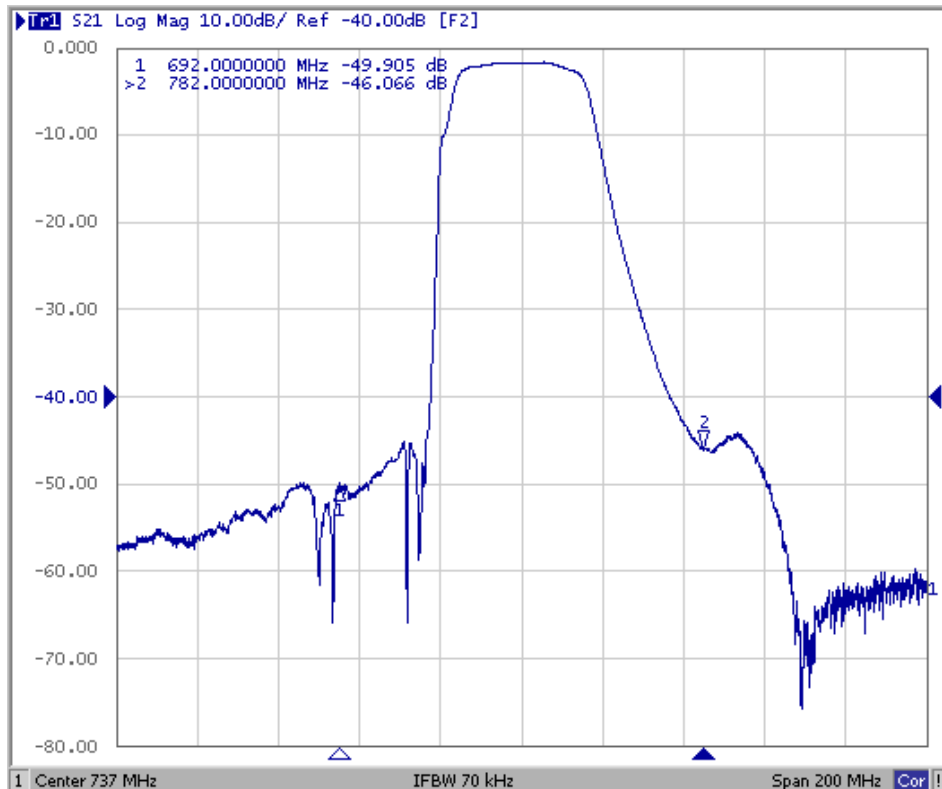
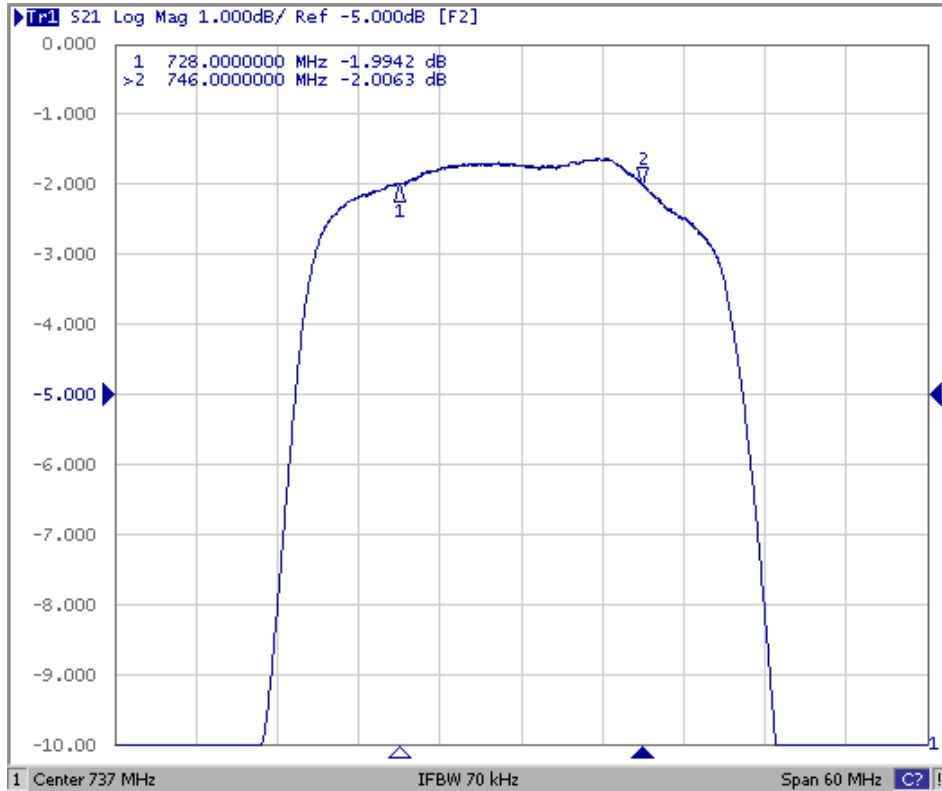
E. PCB FOOTPRINT:



SAW Filter 737.0MHz
Part No: MP04257

Model: TA1211A
Rev No: 1

F. FREQUENCY CHARACTERISTICS:

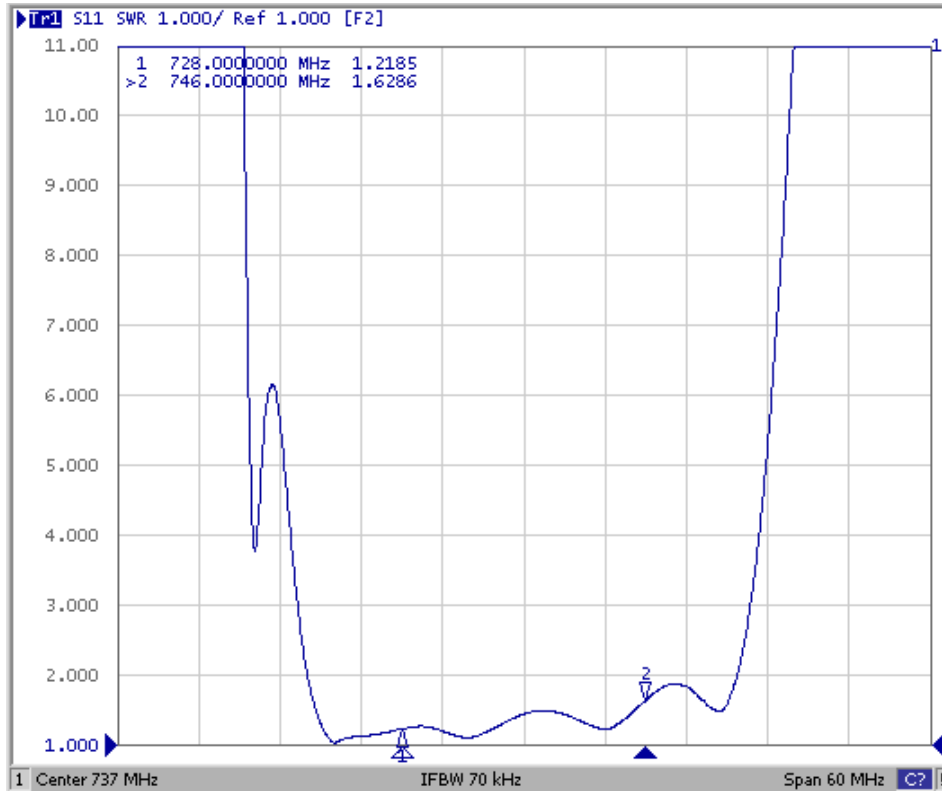


SAW Filter 737.0MHz
Part No: MP04257

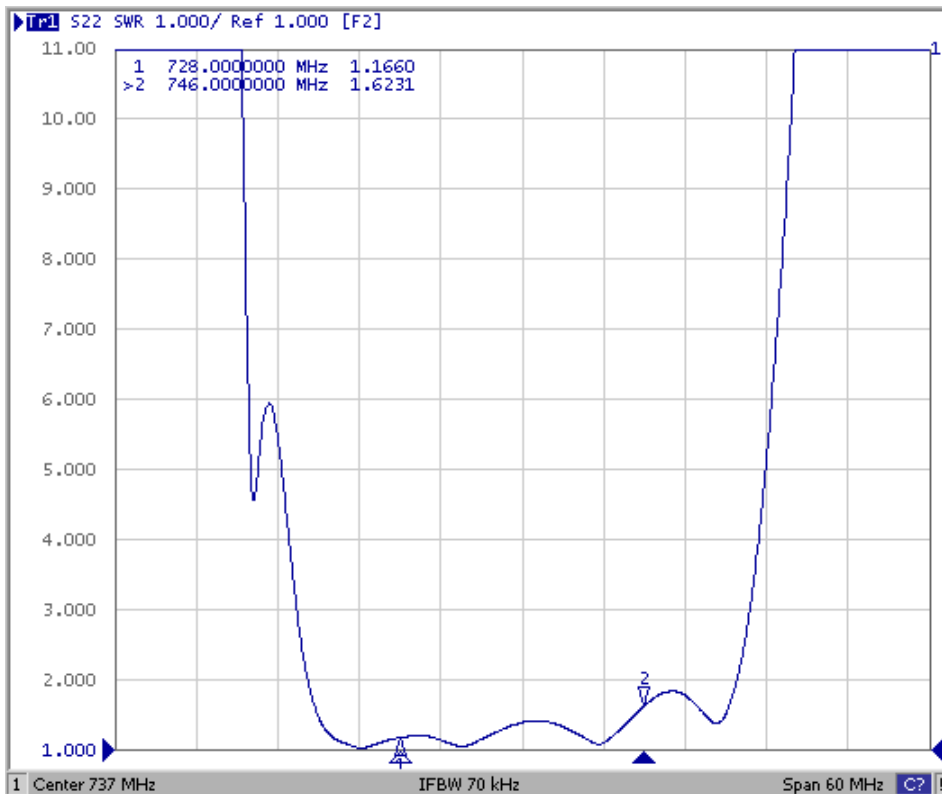
Model: TA1211A
Rev No: 1

Reflection Functions

S11



S22



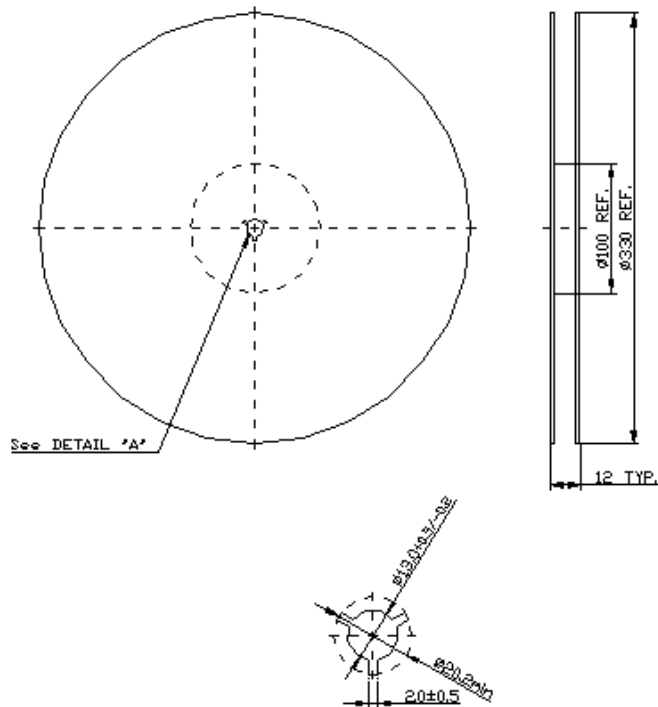
SAW Filter 737.0MHz
Part No: MP04257

Model: TA1211A
Rev No: 1

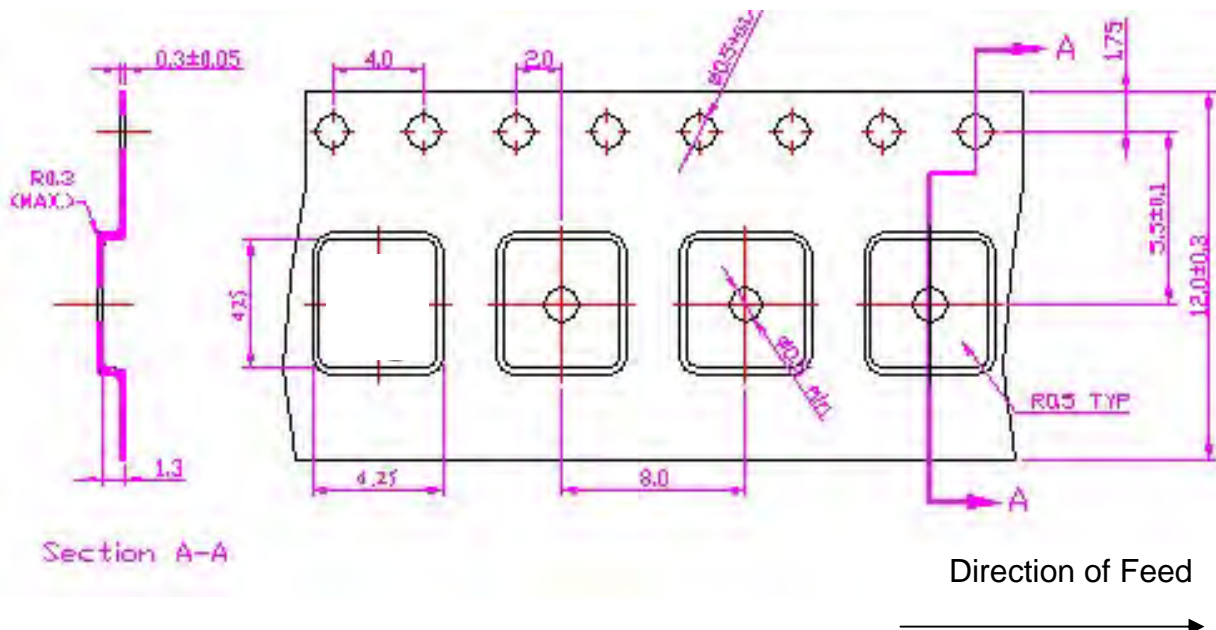
G. PACKING:

1. Reel Dimension

(Reel Count: 7" = 1000; 13" = 3000)



2. Tape Dimension



SAW Filter 737.0MHz
Part No: MP04257

Model: TA1211A
Rev No: 1

H. RECOMMENDED REFLOW PROFILE:

