

SAW Filter 722.0MHz
Part No: MP04256

Model: TA1143A
Rev No: 1

A. MAXIMUM RATING:

1. Input Power Level: 10dBm
2. DC voltage: 0V
3. Operating Temperature: -10°C to +60°C

B. ELECTRICAL CHARACTERISTICS:

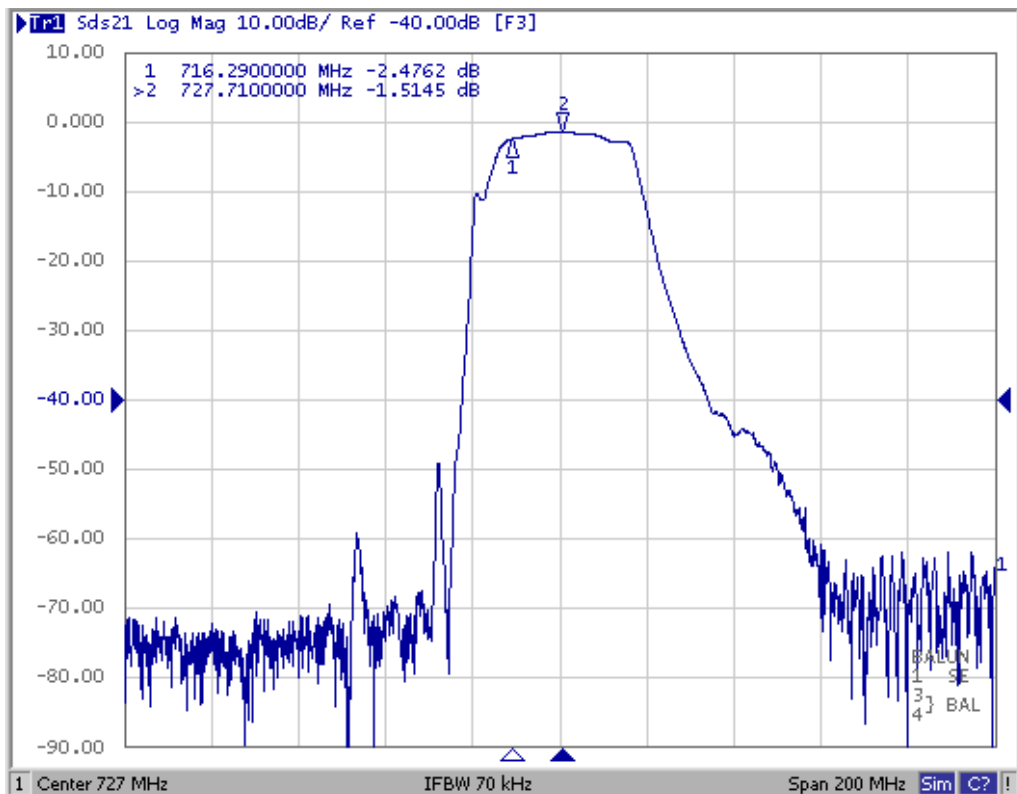
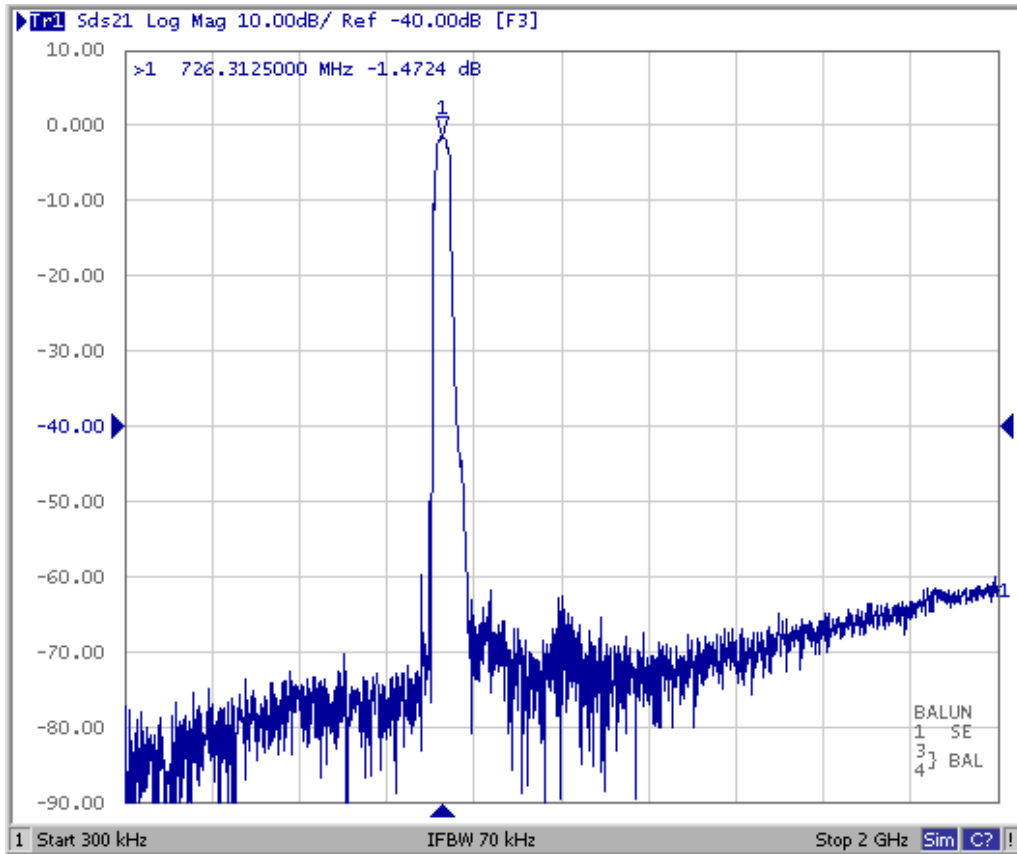
Reference temperature: 25°C

Item	Min.	Typ.	Max.	Note
Center frequency FC (MHz)	-	722	-	-
Insertion Loss. 716.29 ~ 727.71MHz (dB) IL	-	2.2	2.8	-
Input VSWR		1.6	2.2	-
Output VSWR		1.9	2.2	-
Passband amplitude ripple 716.29 ~ 727.71MHz (dB)	-	0.9	1.4	-
Passband Group delay ripple 716.29 ~ 727.71MHz (dB)	-	40	80	-
Output amplitude balance (S31/S21) (716.29 ~ 727.71MHz)	-1	0.4	1	-
Output phase balance ($\Phi(S31)-\Phi(S21)+180^\circ$) (716.29 ~ 727.71MHz)	-12	8	12	-
Attenuation: (relative to 0dB)				
0.1 ~ 698MHz (dB)	35	70	-	
704 ~ 710MHz (dB)	1.5	3.5	-	
710 ~ 716MHz (dB)	0.5	2.0	-	
728 ~ 734MHz (dB)	0.5	2.1	-	
734 ~ 740MHz (dB)	1.5	2.6	-	
740 ~ 746MHz (dB)	15	23	-	
746 ~ 756MHz (dB)	15	25	-	-
776 ~ 798MHz (dB)	40	55	-	
824 ~ 960MHz (dB)	40	63	-	
1575MHz (dB)	32	45	-	
1710 ~ 1785MHz (dB)	30	64	-	
1920 ~ 1980MHz (dB)	25	62	-	
2400 ~ 2484MHz (dB)	20	45	-	
Input Impedance (Input)		50		
Output Impedance (Balanced)		50		

SAW Filter 722.0MHz
Part No: MP04256

Model: TA1143A
Rev No: 1

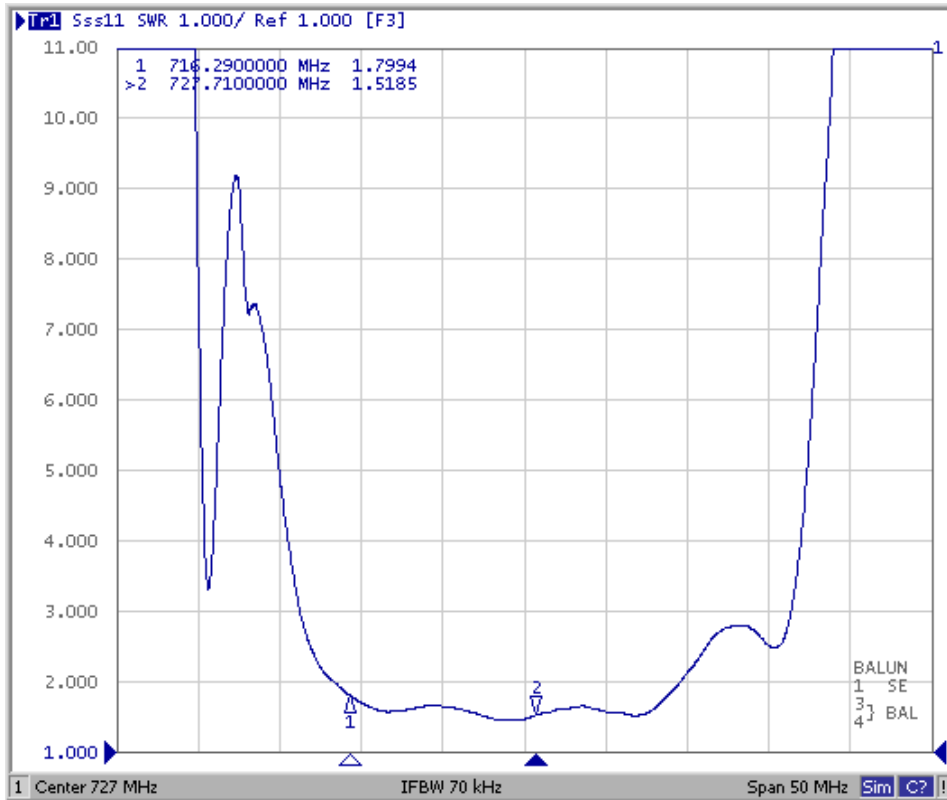
C. FREQUENCY CHARACTERISTICS:



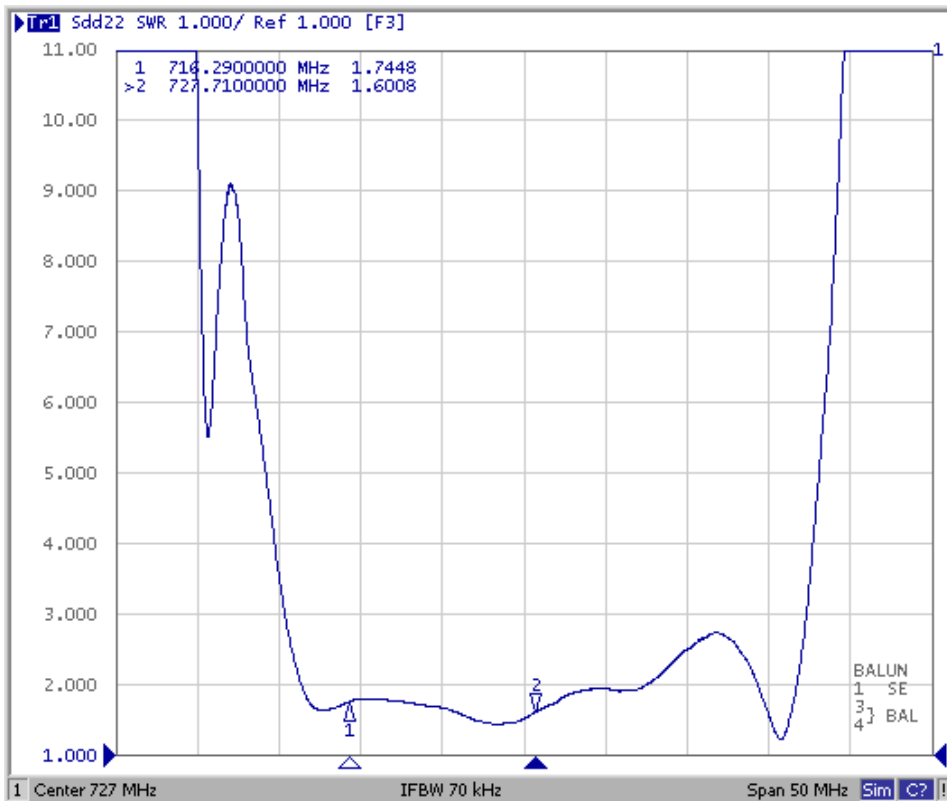
SAW Filter 722.0MHz
Part No: MP04256

Model: TA1143A
Rev No: 1

S11 VSWR



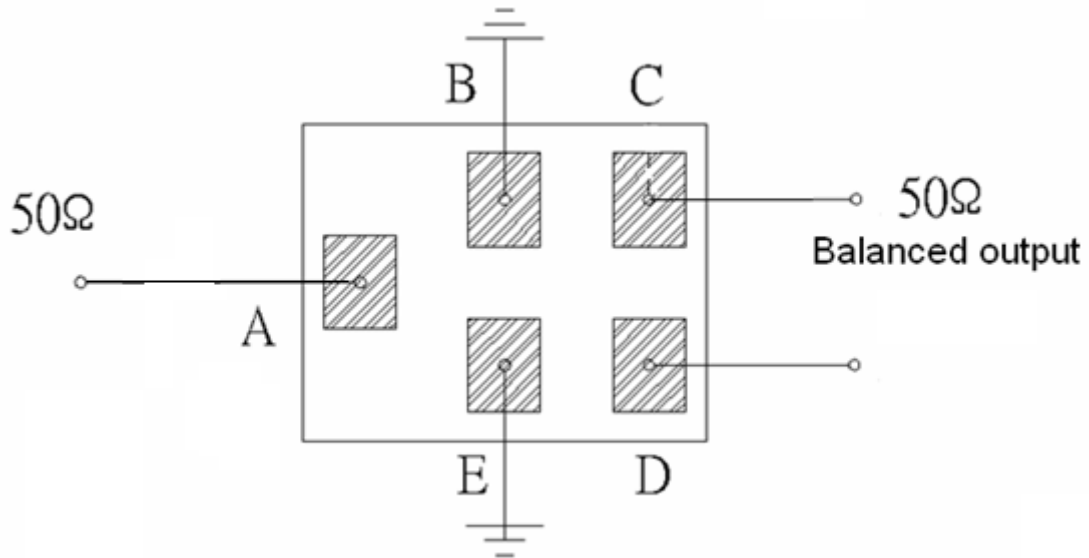
Sd22 VSWR



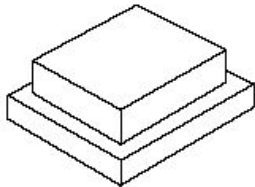
SAW Filter 722.0MHz
Part No: MP04256

Model: TA1143A
Rev No: 1

D. MEASUREMENT CIRCUIT:

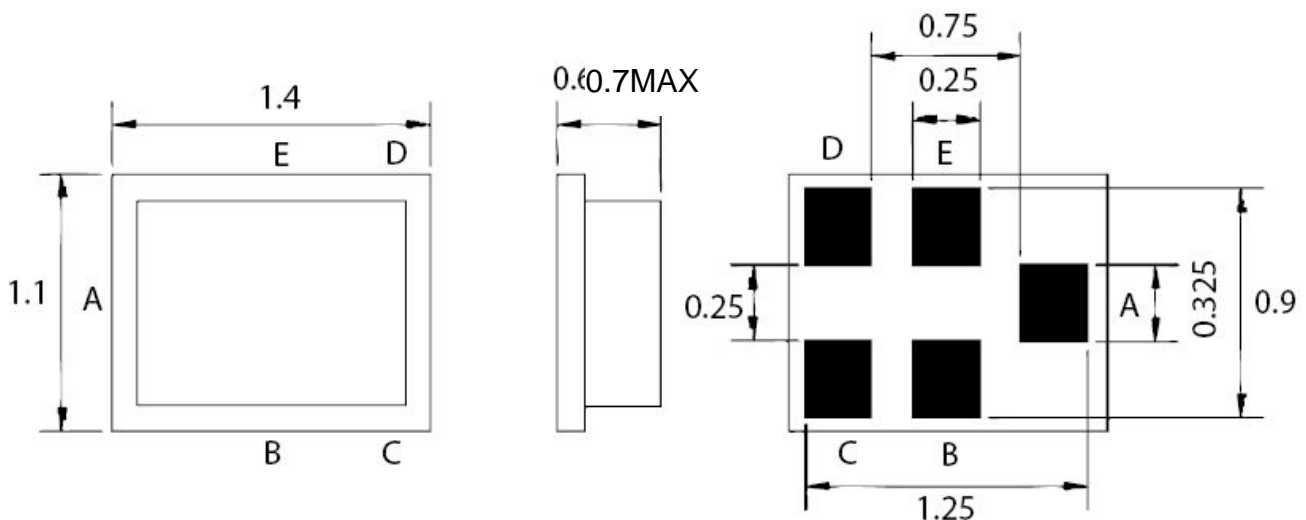


E. OUTLINE DRAWING:



Electrical Connections

Connection	Terminals
Input	A
Output	C, D
Ground	B, E



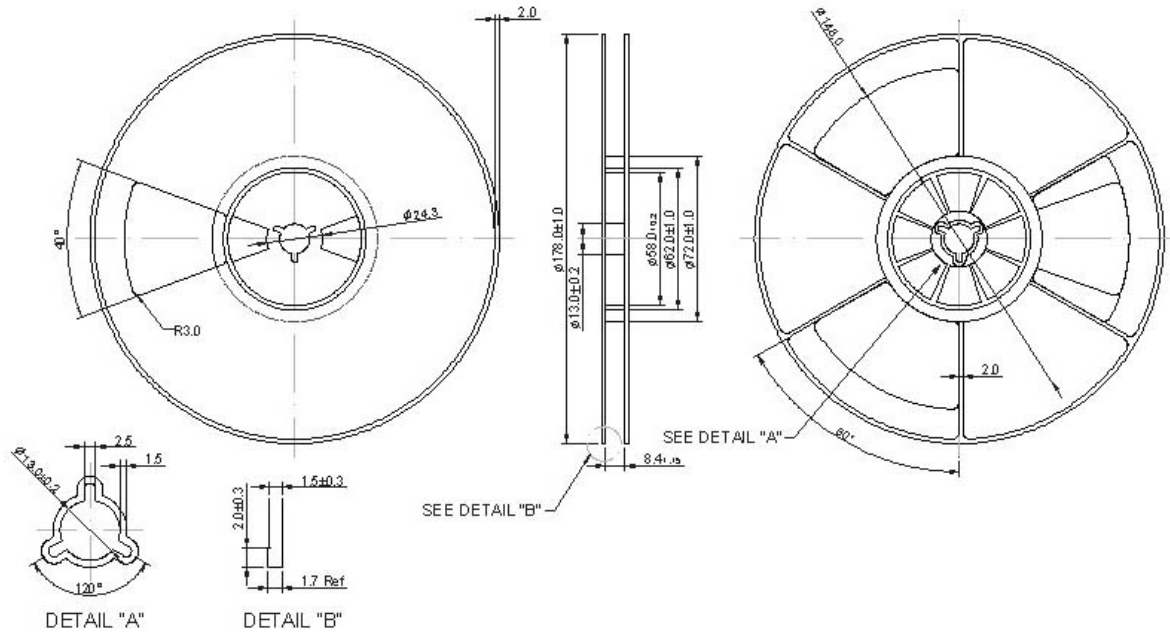
SAW Filter 722.0MHz
Part No: MP04256

Model: TA1143A
Rev No: 1

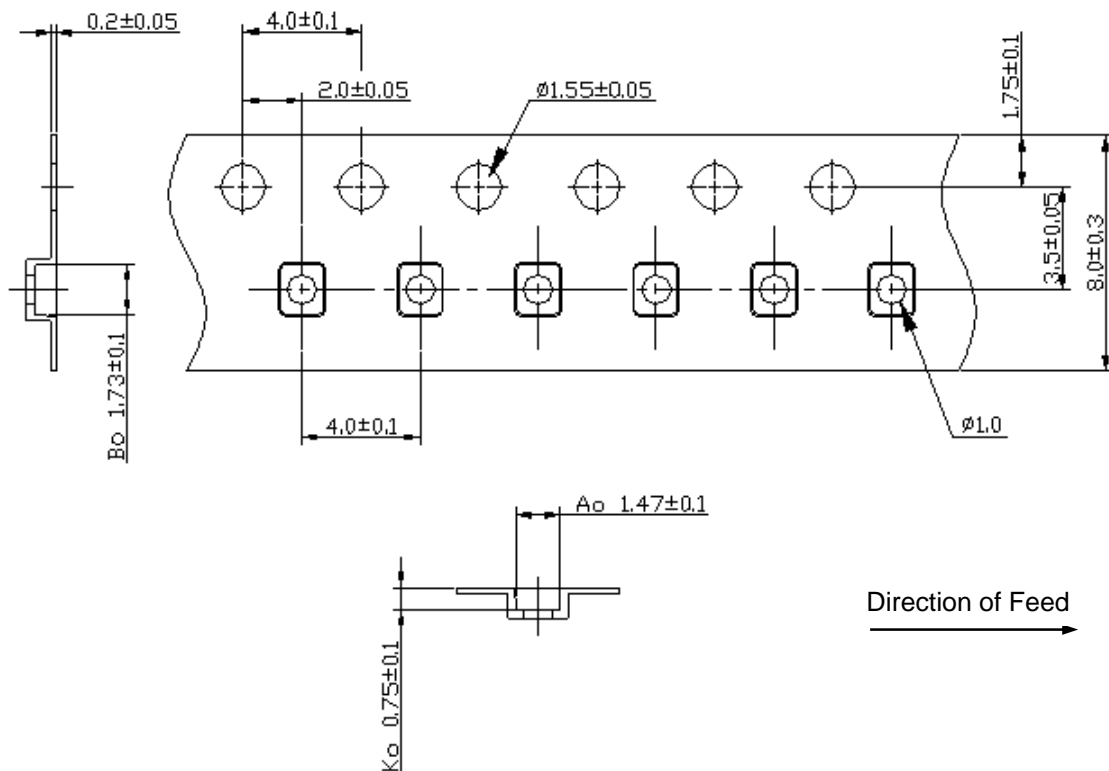
F. PACKING:

1. Reel Dimension

(Reel Count: 7" = 3000)



2. Tape Dimension



SAW Filter 722.0MHz
Part No: MP04256

Model: TA1143A
Rev No: 1

G. RECOMMENDED REFLOW PROFILE:

