

SAW Filter 722.0MHz

Model: TA1173A

Part No: MP04255

Rev No: 1

A. MAXIMUM RATING:

1. Input Power Level: 15dBm
2. DC Voltage: 3V
3. Operating Temperature: -10°C to +60°C
4. Storage Temperature: -40°C to +85°C

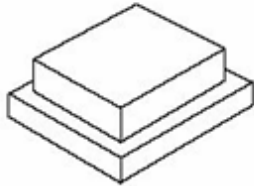
B. ELECTRICAL CHARACTERISTICS:

Item	Unit	Min.	Typ.	Max.
Center Frequency (Fc)	MHz	-	722.0	-
Insertion Loss within 716.29 ~ 727.71MHz	dB	-	2.1	2.8
Amplitude Ripple within 716.29 ~ 727.71MHz	dBp-p	-	0.4	1.2
Group Delay Ripple within 716.29 ~ 727.71MHz	nsp-p	-	35	80
Attenuation:				
0.1 ~ 698.0MHz	dB	35	38	-
704.0 ~ 710.0MHz	dB	3	7	-
710.0 ~ 716.0MHz	dB	0.5	1.5	-
728.0 ~ 734.0MHz	dB	0.5	2.0	-
734.0 ~ 740.0MHz	dB	5	11.1	-
740.0 ~ 746.0MHz	dB	23	27	-
746.0 ~ 756.0MHz	dB	30	36	-
776.0 ~ 798.0MHz	dB	40	52	-
824.0 ~ 960.0MHz	dB	40	46	-
1575.0 MHz	dB	32	36	-
1710.0 ~ 1785.0MHz	dB	30	34	-
1920.0 ~ 1980.0MHz	dB	25	33	-
2400.0 ~ 2484.0MHz	dB	20	26	-
VSWR within 716.29 ~ 727.71MHz	-	-	1.95	2.2
Source Impedance (single ended)	Ω	-	50	-
Load Impedance (single ended)	Ω	-	50	-
Operating Temperature Range	°C	-10	-	+60
Max. Input Power within 716.29 ~ 727.71MHz	dBm	-	-	15
Length x Width	mm ²	-	1.4 x 1.1	-

SAW Filter 722.0MHz
Part No: MP04255

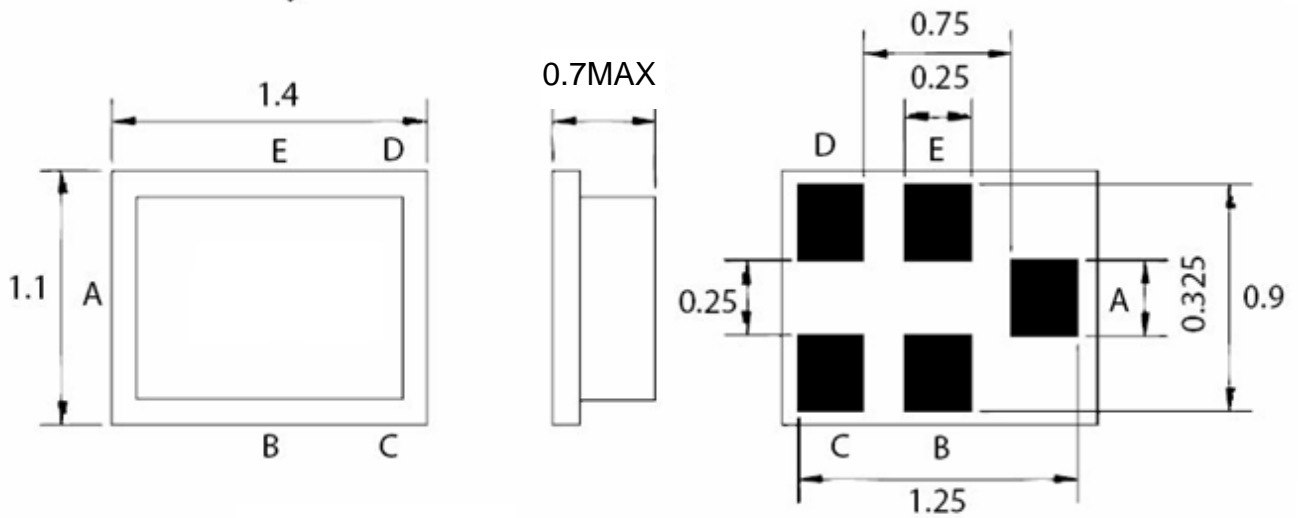
Model: TA1173A
Rev No: 1

C. OUTLINE DRAWING:

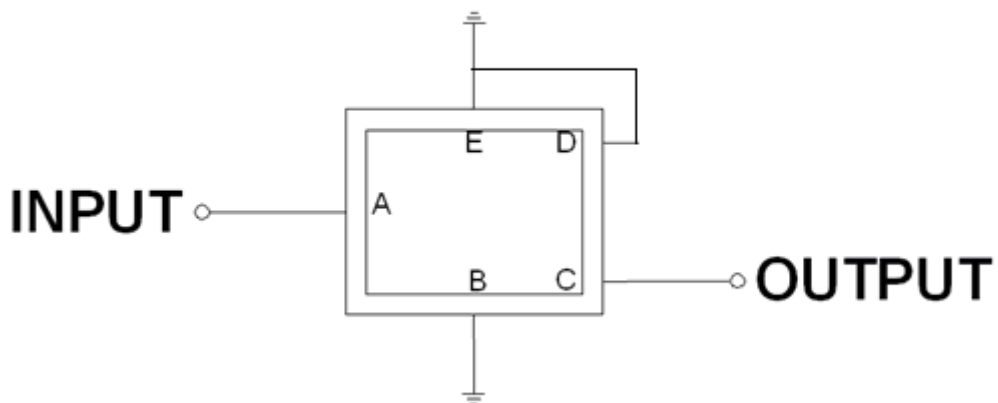


Electrical Connections

Connection	Terminals
Input	A
Output	C
Ground	B, E D



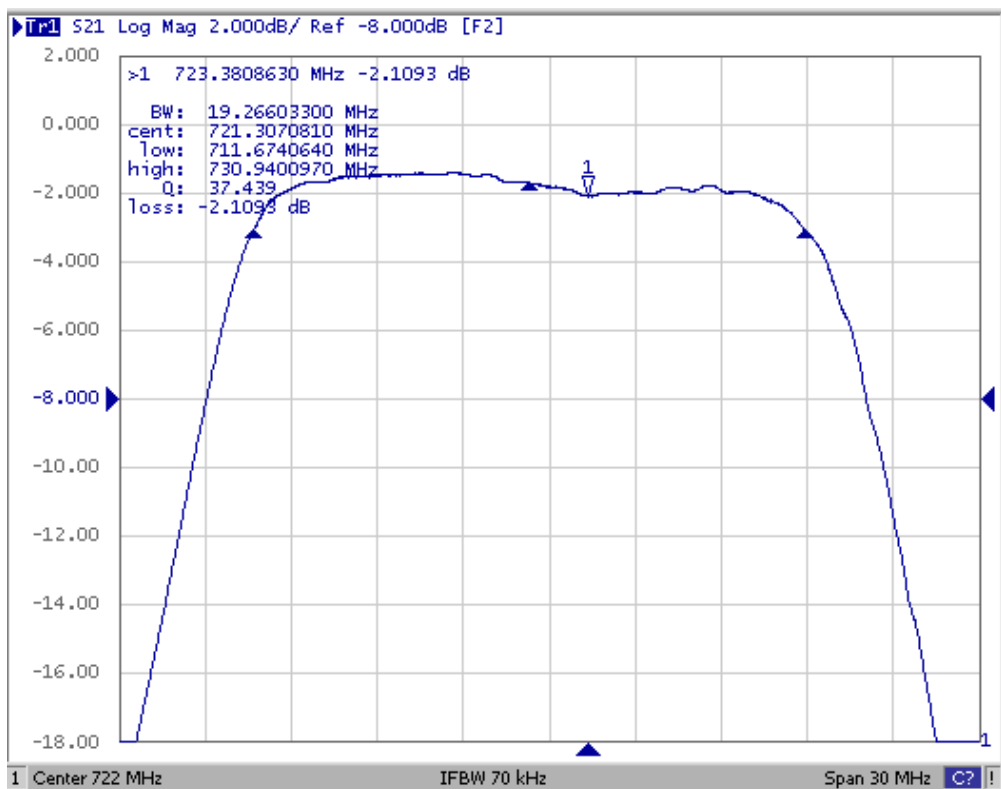
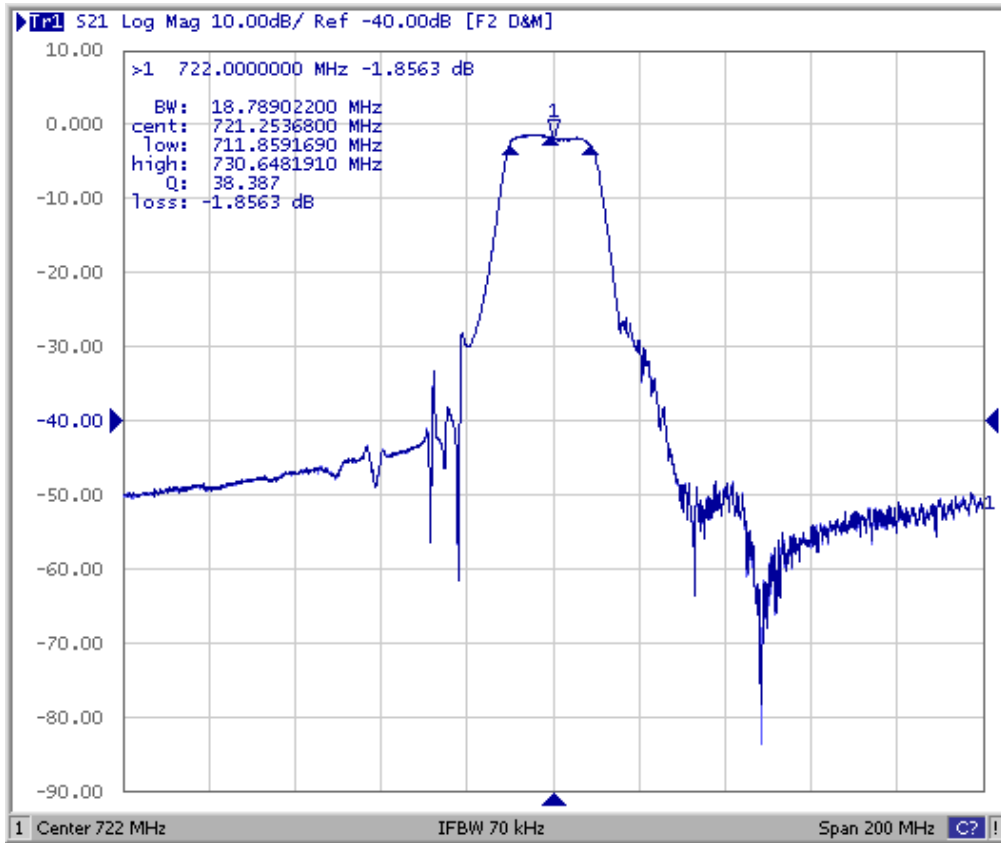
D. MEASUREMENT CIRCUIT:



SAW Filter 722.0MHz
Part No: MP04255

Model: TA1173A
Rev No: 1

E. FREQUENCY CHARACTERISTICS:

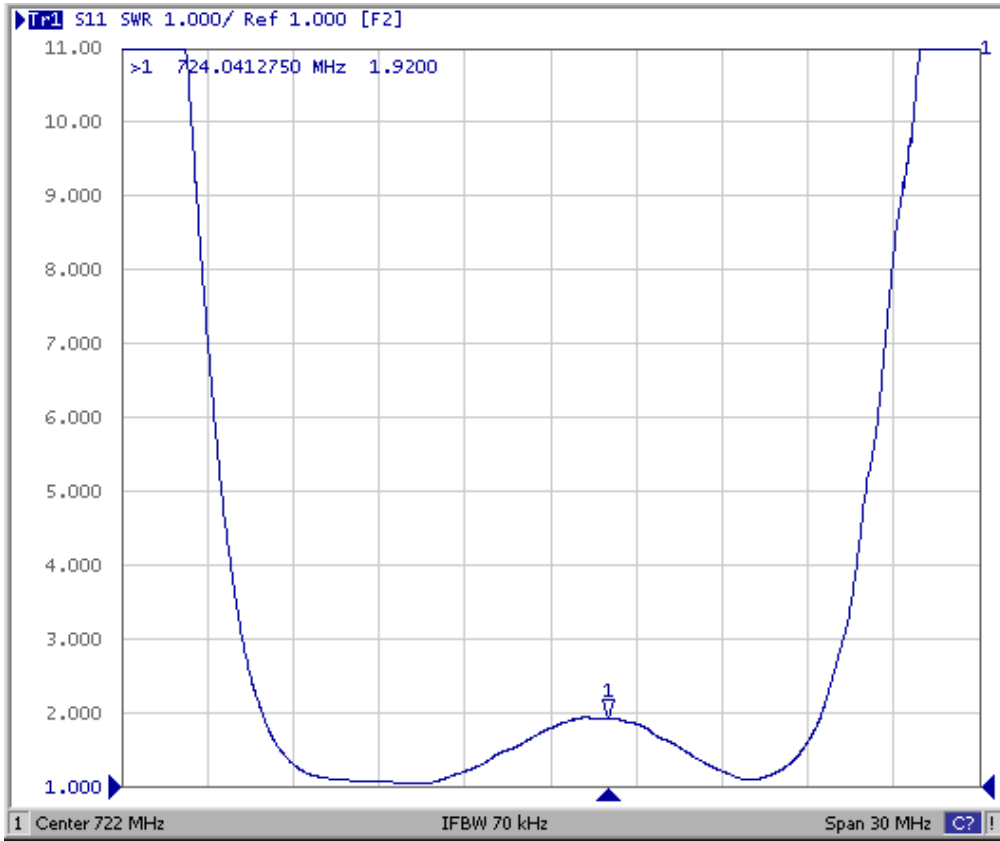


SAW Filter 722.0MHz
Part No: MP04255

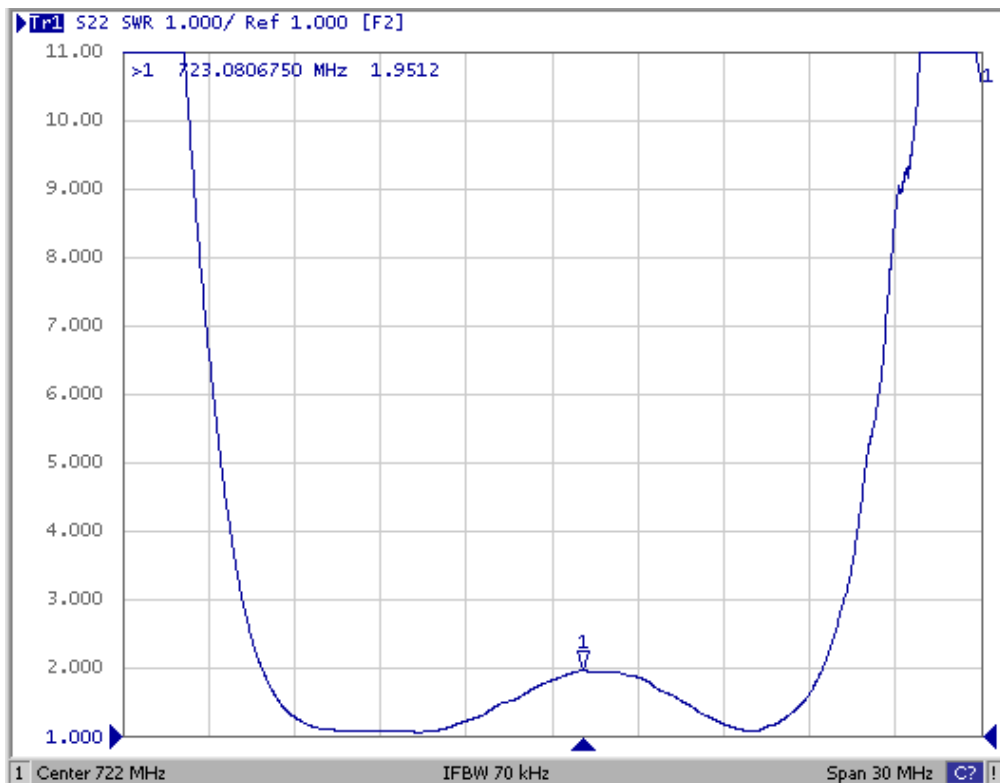
Model: TA1173A
Rev No: 1

VSWR

S11



S22



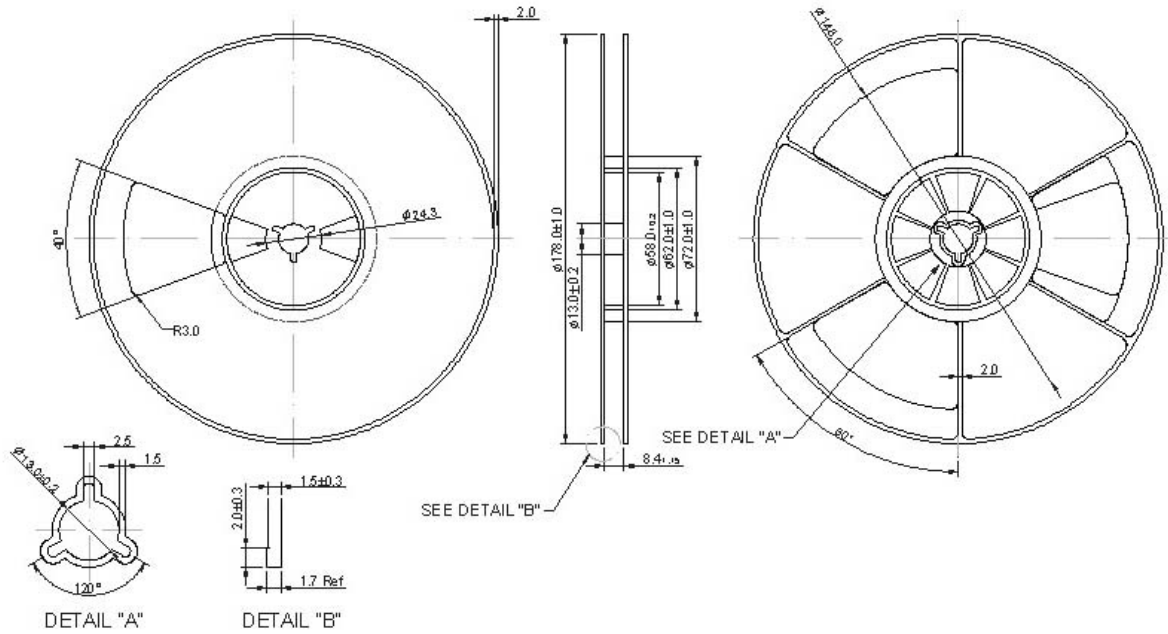
SAW Filter 722.0MHz
Part No: MP04255

Model: TA1173A
Rev No: 1

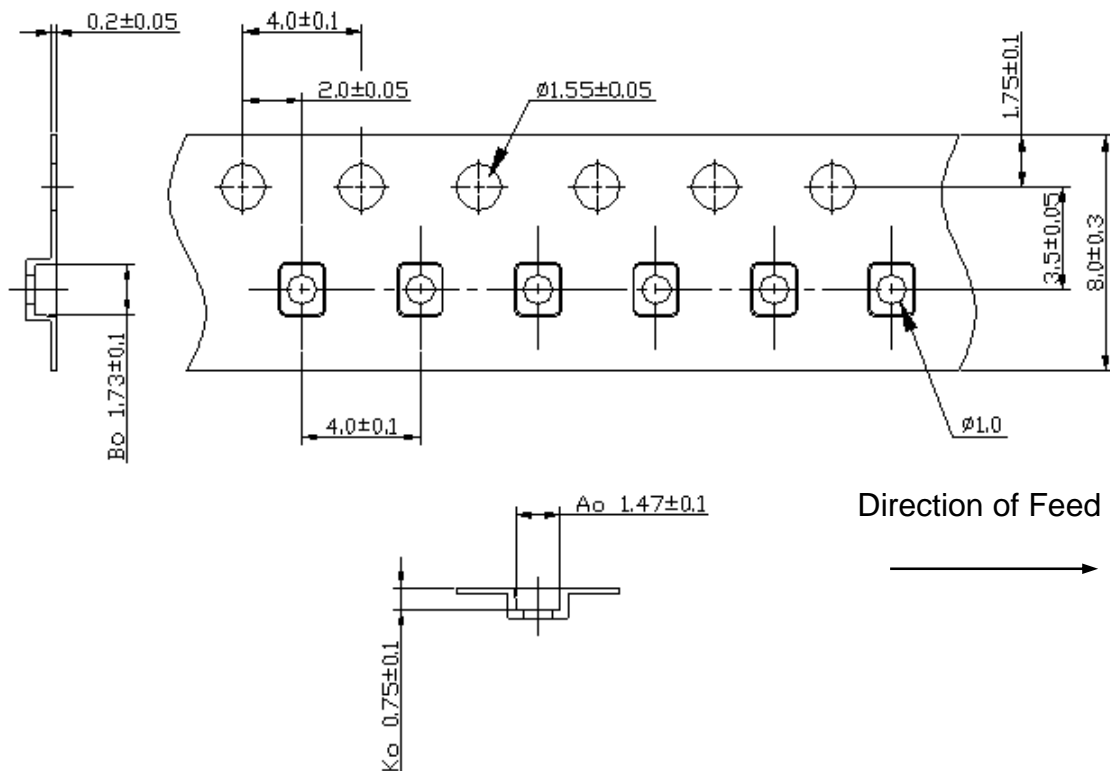
F. PACKING:

1. Reel Dimension

(Reel Count: 7" = 3000)



2. Tape Dimension



SAW Filter 722.0MHz
Part No: MP04255

Model: TA1173A
Rev No: 1

G. RECOMMENDED REFLOW PROFILE:

