

SAW Filter 1090.0MHz
Part No: MA05497

Model: TA0232A
Rev No: 5

A. MAXIMUM RATING:

Electrostatic Sensitive Device

1. Input Power Level: 10dBm
2. DC voltage: 0V
3. Operating Temperature: -40°C to +85°C
4. Storage Temperature: -40°C to +85°C
5. Moisture Sensitivity Level: Level 1 (MSL1)

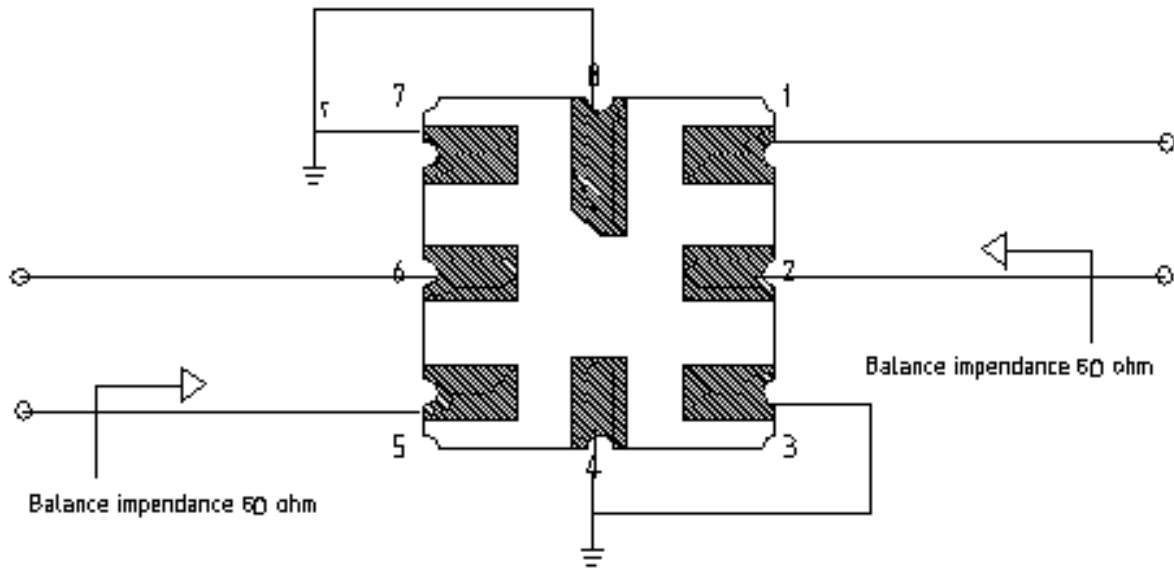
B. CHARACTERISTICS:

Item	Min.	Typ.	Max.
Center frequency Fc MHz	-	1090	-
Insertion loss 1084 ~ 1096 MHz IL (dB)	-	3.9	5.3
Amplitude ripple 1084 ~ 1096MHz (dB)	-	0.6	1.5
Attenuation (Reference level from 0dB)			
500 ~ 924MHz (dB)	45	48	-
924 ~ 944 MHz (dB)	45	50	-
944 ~ 1051MHz (dB)	40	47	-
1051 ~ 1061MHz (dB)	30	36	-
1170 ~ 2000MHz (dB)	40	43	-
Balanced to balanced operation			
Source impedance Z _S (Ω)	-	50	-
Load impedance Z _L (Ω)	-	50	-

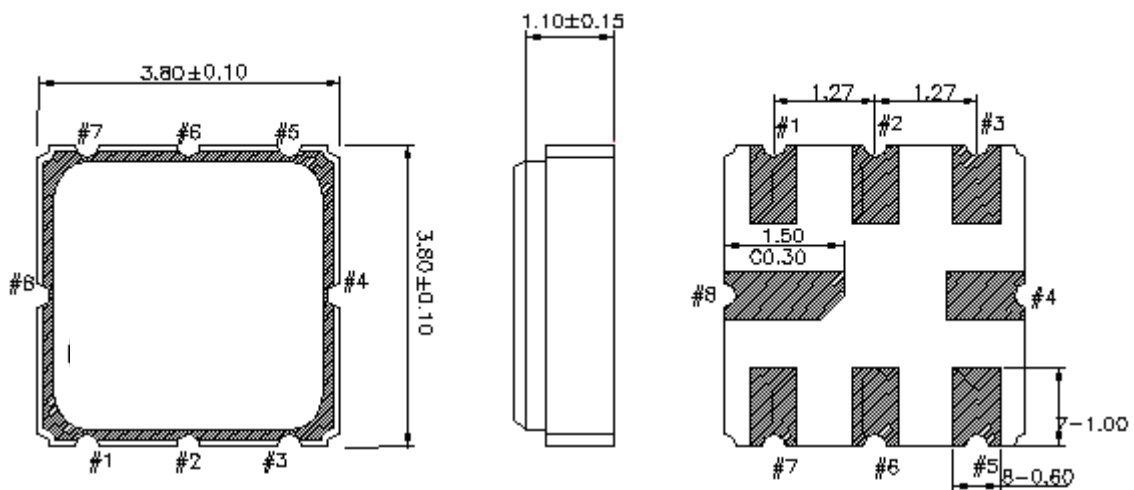
SAW Filter 1090.0MHz
Part No: MA05497

Model: TA0232A
Rev No: 5

C. MEASUREMENT CIRCUIT:



D. OUTLINE DRAWING:



#1, 2 : Balanced Input
 #5, 6 : Balanced Output
 #3, 4, 7, 8 : Ground

Unit : mm

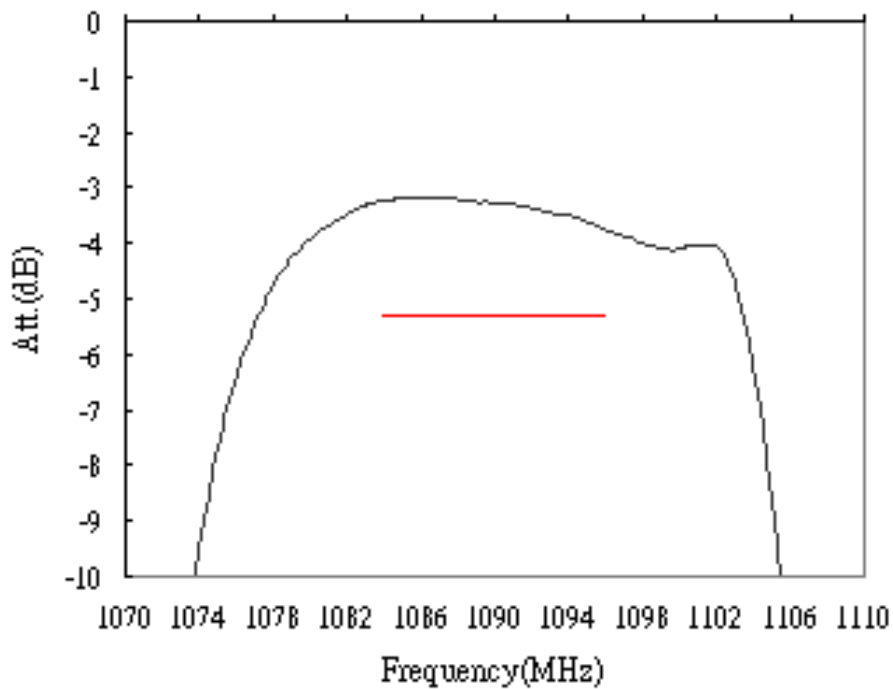
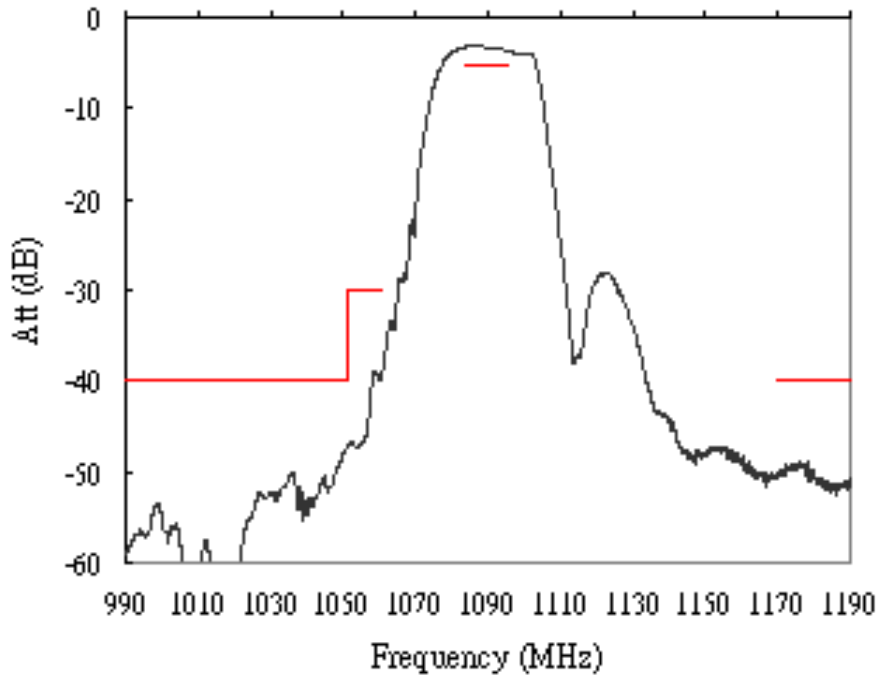
SAW Filter 1090.0MHz
Part No: MA05497

Model: TA0232A
Rev No: 5

E. FREQUENCY CHARACTERISTICS:

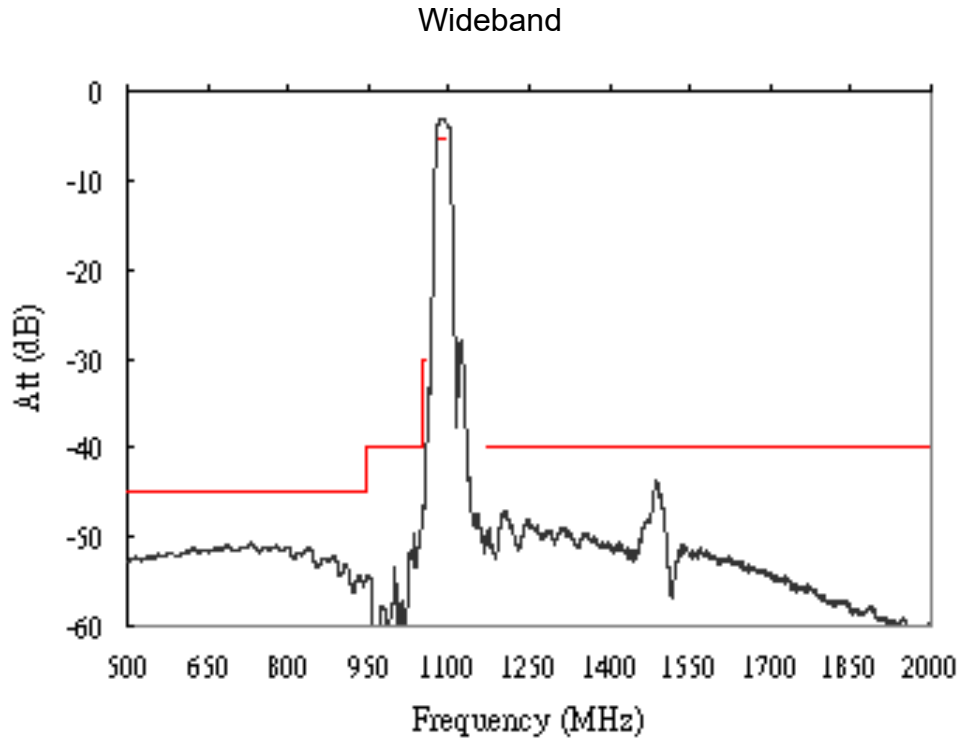
Transfer Function

Narrowband



SAW Filter 1090.0MHz
Part No: MA05497

Model: TA0232A
Rev No: 5

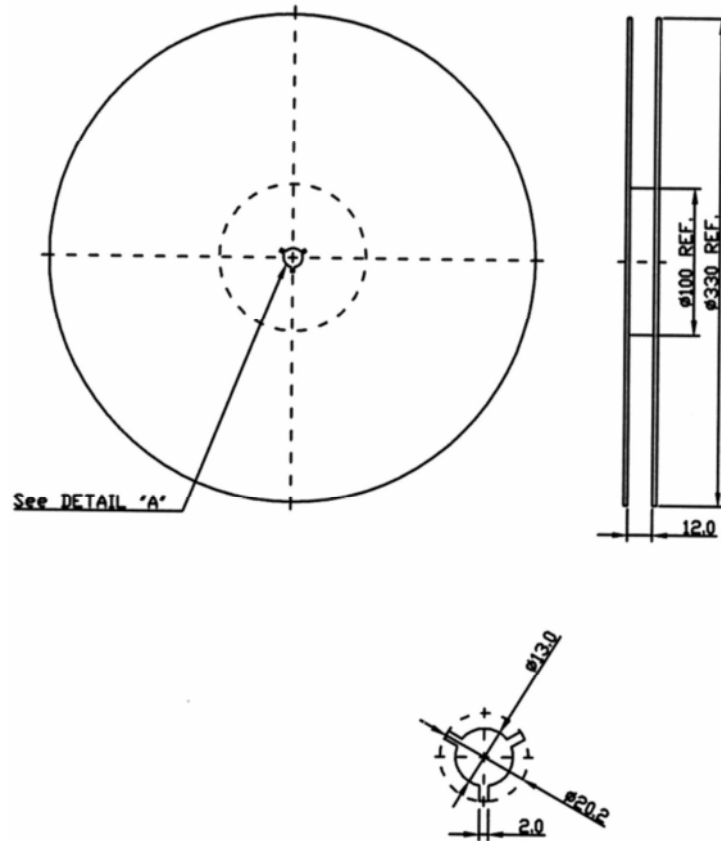


SAW Filter 1090.0MHz
Part No: MA05497

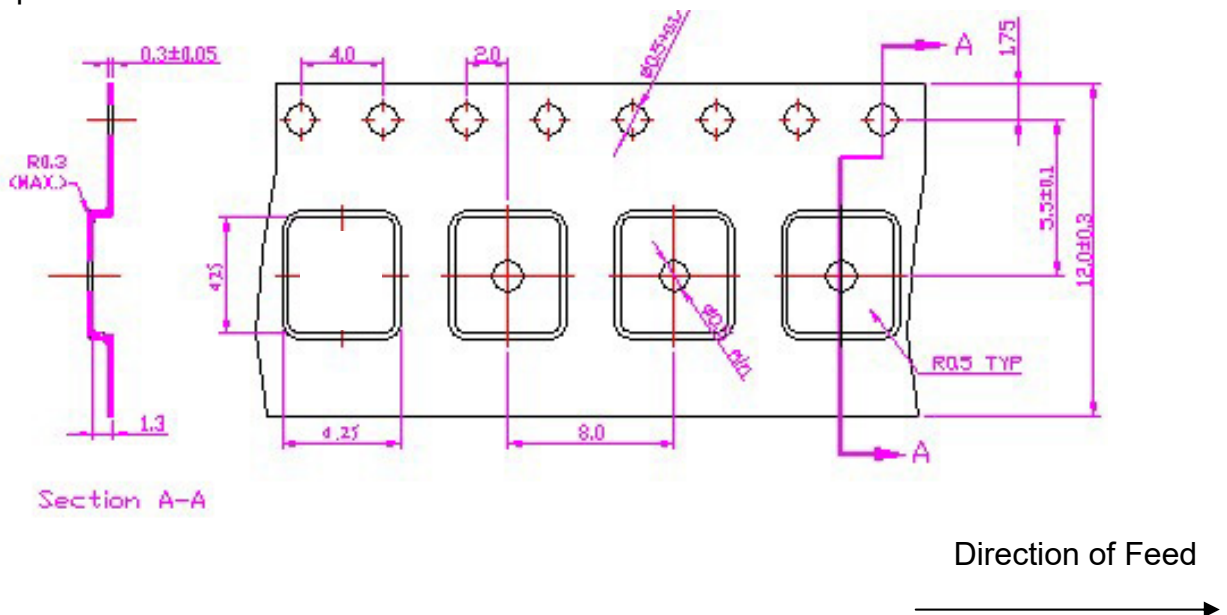
Model: TA0232A
Rev No: 5

F. PACKING:

1. Reel Dimensions



2. Tape Dimensions



SAW Filter 1090.0MHz
Part No: MA05497

Model: TA0232A
Rev No: 5

G. RECOMMENDED REFLOW PROFILE:

1. Preheating shall be fixed at 150 ~ 180°C for 60 ~ 90 seconds.
2. Ascending time to preheating temperature 150°C shall be 30 seconds min.
3. Heating shall be fixed at 220°C for 50 ~ 80 seconds and at 260°C +0/-5°C peak (20 ~ 40sec).
4. Time: 2 times.

