

SAW Filter 255.0MHz
Part No: MP01102

Model: TB0649A
Rev No: 2

A. MAXIMUM RATING:

1. Storage Temperature: -40°C to 85°C
2. Operating Temperature: -20°C to 70°C
3. Input Power Level: 10 dBm

B. CHARACTERISTICS:

Item	Unit	Min.	Typ.	Max.
Center frequency Fc	MHz	-	255	-
Insertion Loss 210 to 300MHz	dB	-	15.2	16
Passband Variation 210 to 300MHz	MHz	-	1.2	3
Relative Attenuation at 166MHz	dB	20	50	-
Relative Attenuation at 306MHz	dB	-	20	-
Temp Coefficient	ppm/K	-	-76	-

SAW Filter 255.0MHz
Part No: MP01102

Model: TB0649A
Rev No: 2

C. FREQUENCY CHARACTERISTICS:

1. Wideband Response: (span 300MHz)

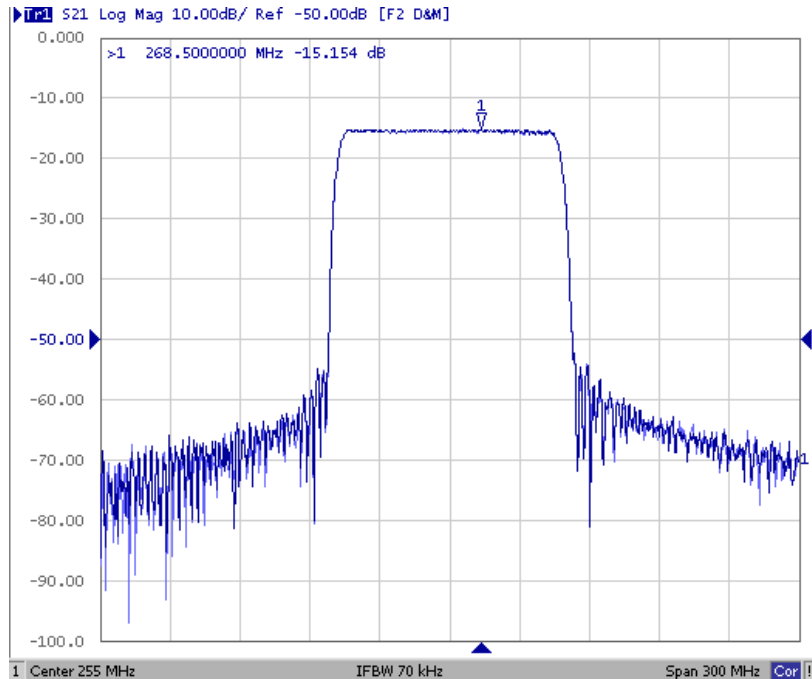


Fig. 1. Horizontal: 30MHz / Div, Vertical: 10Db / Div

2. Passband Response: (span 100MHz)

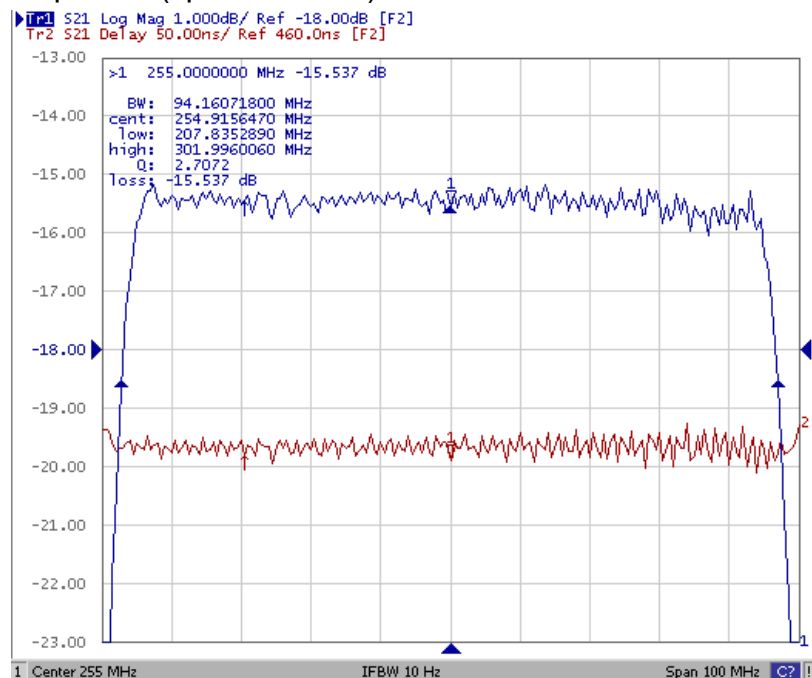
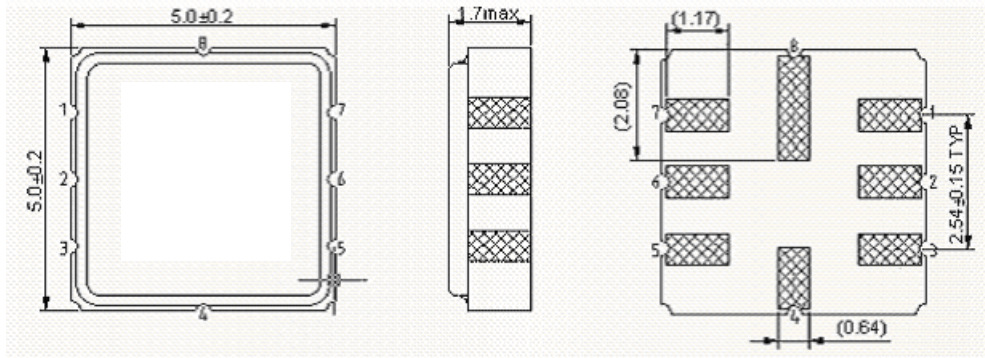


Fig. 2. Horizontal: 10MHz / Div, Vertical 1: 1dB / Div, Vertical 2: 50nS /Div

SAW Filter 255.0MHz
Part No: MP01102

Model: TB0649A
Rev No: 2

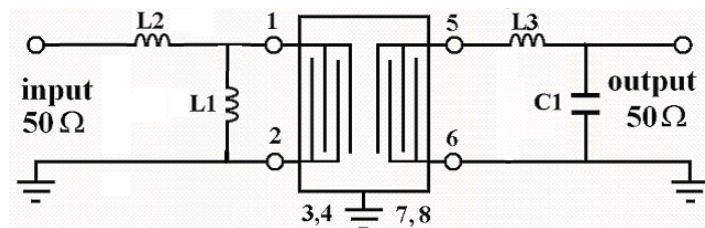
D. OUTLINE DRAWING:



- 1: Input
- 2: Input ground
- 5: Output
- 6: Output ground
- 3, 4, 7, 8: Ground

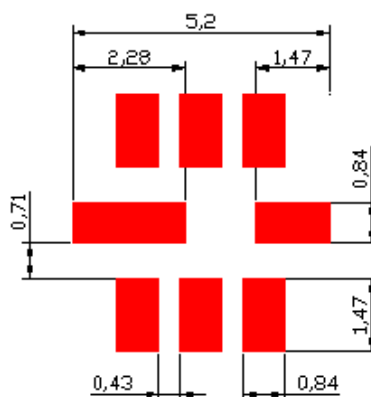
E. MATCHING CIRCUIT:

50 Ohm single ended Input - 50 Ohm single ended Output



$L1 = 180\text{nH}$; $L2 = 56\text{nH}$; $L3 = 22\text{nH}$; $C1 = 15\text{pF}$

F. PCB FOOTPRINT:

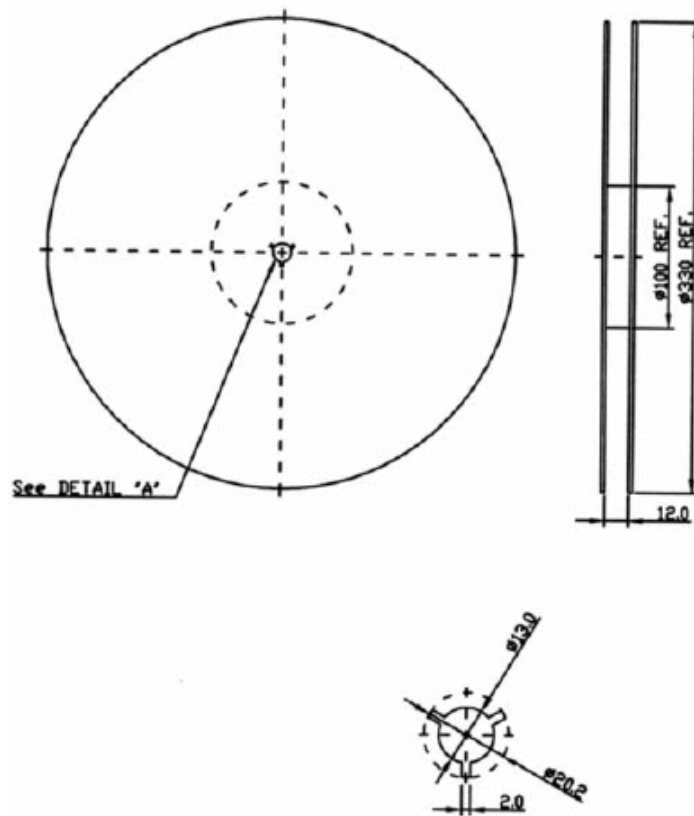


SAW Filter 255.0MHz
Part No: MP01102

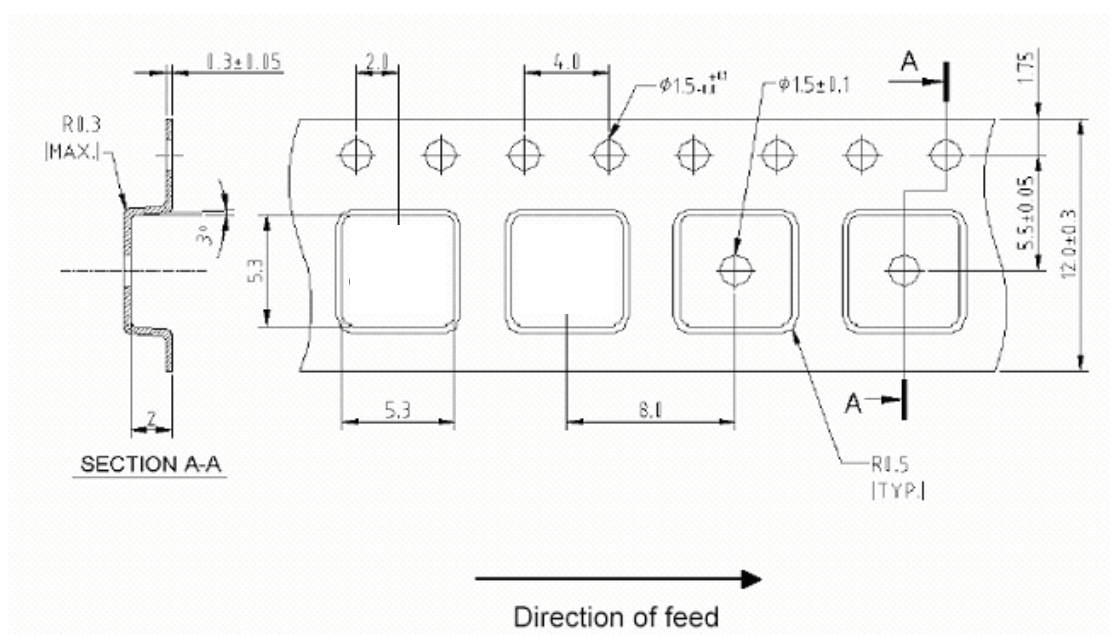
Model: TB0649A
Rev No: 2

G. PACKING:

1. Reel Dimensions



2. Tape Dimensions



SAW Filter 255.0MHz
Part No: MP01102

Model: TB0649A
Rev No: 2

H. RECOMMENDED REFLOW PROFILE:

