

SAW Filter 44.0MHz
Part No: MA08461

Model: TB0363A
Rev. No: 3

A. MAXIMUM RATING:

1. Input Power Level: 10dBm
2. Operating Temperature: -40°C to +85°C
3. Storage Temperature: -40°C to +85°C
4. Moisture Sensitivity Level: Level 1 (MSL1)

B. ELECTRICAL CHARACTERISTICS:

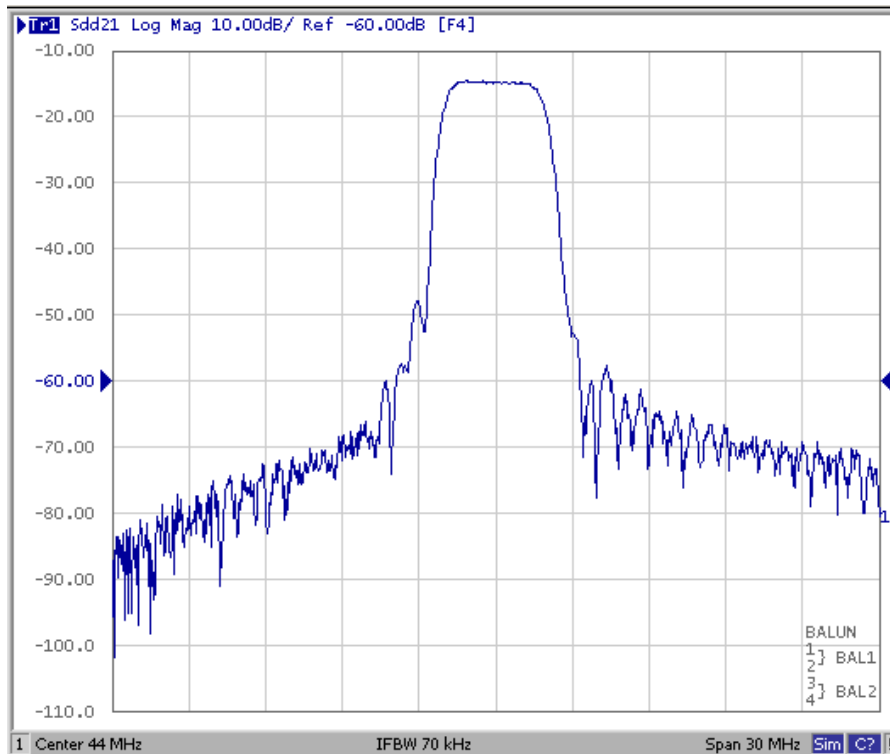
Item	Unit	Min.	Typ.	Max.
Center frequency Fc	MHz	-	44	-
Insertion Loss IL	dB	-	14	16
3dB Bandwidth	MHz	3.4	3.8	
Pass band Ripple Fc \pm 1.25MHz	dB	-	0.6	1.0
Stopband Rejection (ref: Max IL)				
Relative Attenuation Fc \pm 1.85MHz	dB	1.9	2.5	
Relative Attenuation Fc \pm 2MHz	dB	3	4.2	
Relative Attenuation Fc \pm 3.5MHz	dB	38	42	
Relative Attenuation 26.5MHz to 40.5MHz	dB	40	47	
Relative Attenuation 47.5MHz to 61.5MHz	dB	38	41	

SAW Filter 44.0MHz
Part No: MA08461

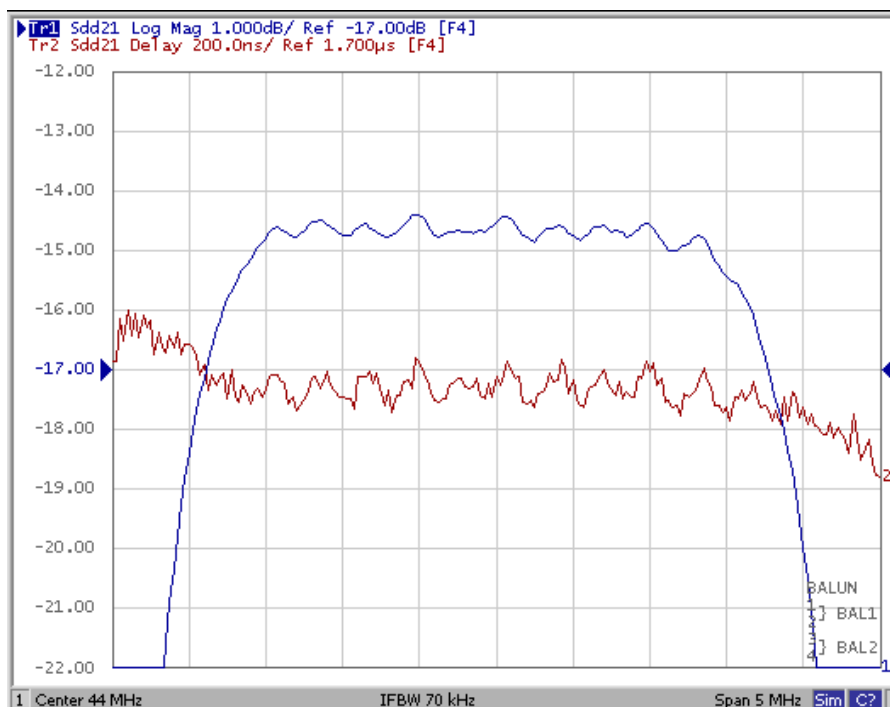
Model: TB0363A
Rev. No: 3

C. FREQUENCY CHARACTERISTICS:

1. Frequency Response: (span: 30MHz)



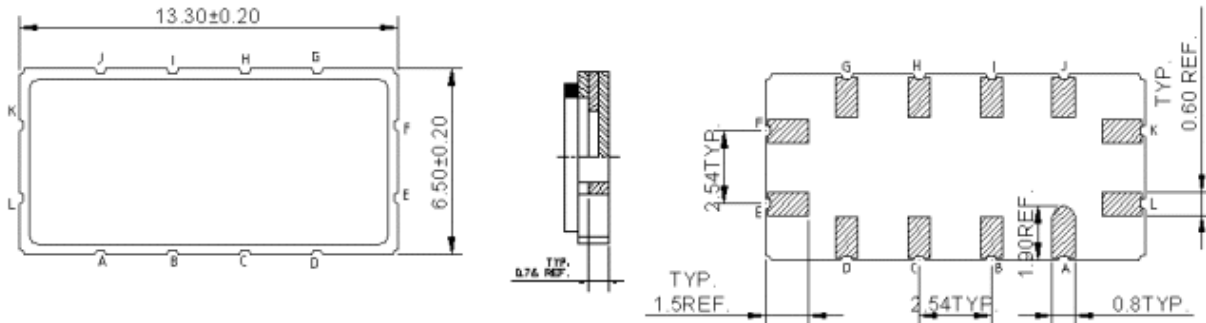
2. Passband response and Group Delay Variation: (span: 5MHz)



SAW Filter 44.0MHz
Part No: MA08461

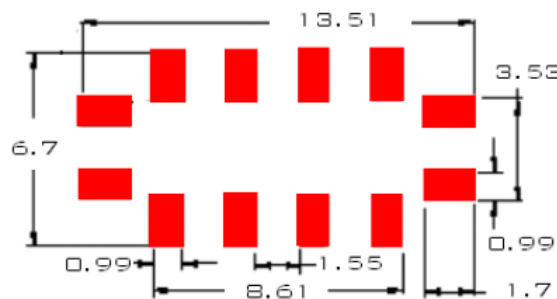
Model: TB0363A
Rev. No: 3

D. OUTLINE DRAWING:

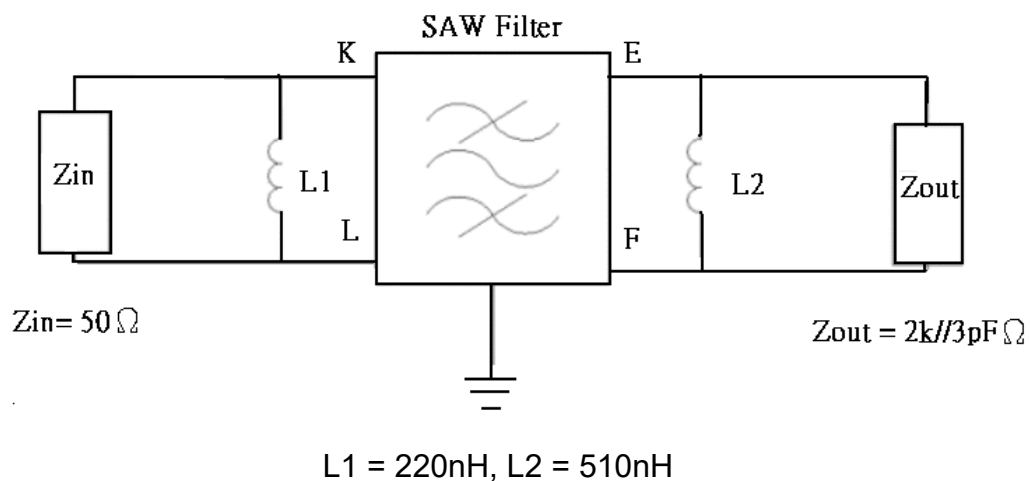


- K: RF Balance input +
 - L: RF Balance input -
 - E: RF Balance output +
 - F: RF Balance output -
 - A, B, C, D, G, H, I, J: To be Ground
- Unit: mm

E. PCB FOOTPRINT:



F. MATCHING CIRCUIT:

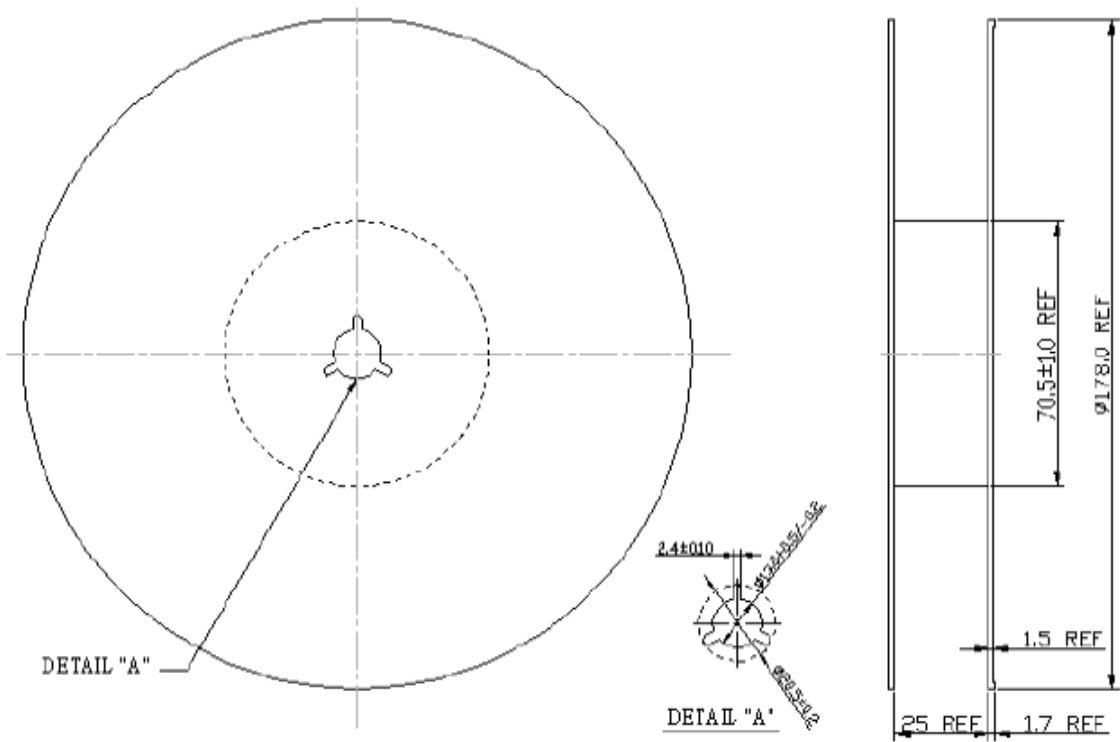


SAW Filter 44.0MHz
Part No: MA08461

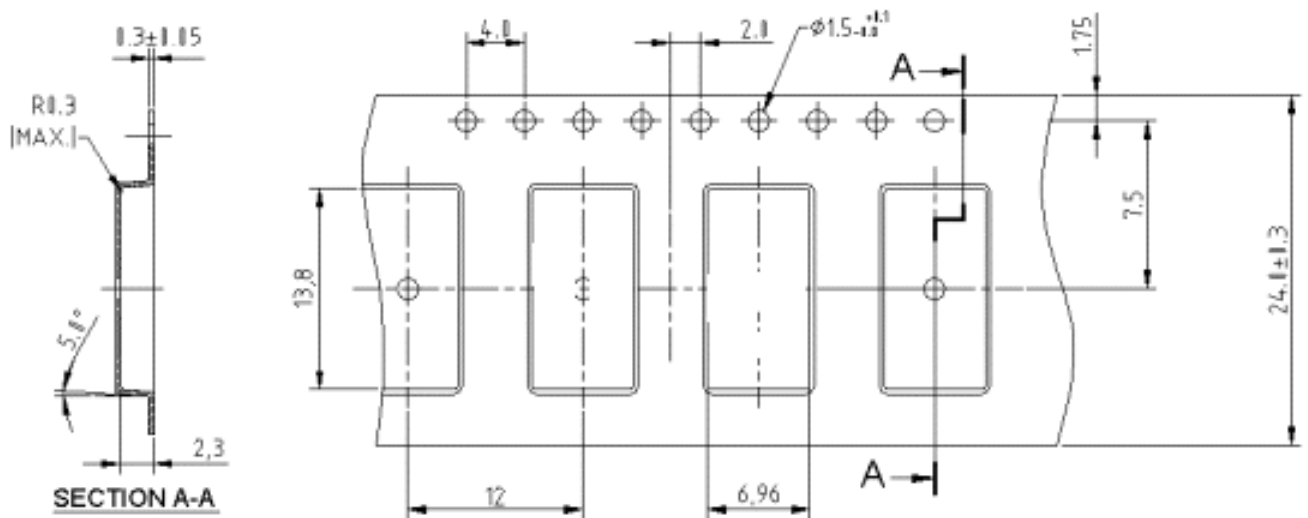
Model: TB0363A
Rev. No: 3

G. PACKING:

1. Reel Dimensions



2. Tape Dimensions



SAW Filter 44.0MHz
Part No: MA08461

Model: TB0363A
Rev. No: 3

H. RECOMMENDED REFLOW PROFILE:

