

SAW Filter 70.0MHz
Part No: MA05603

Model: TB0202A
Rev No: 4

A. MAXIMUM RATING:

1. Input Power Level: +10dBm
2. Operating Temperature: -30°C to +80°C
3. Storage Temperature: -40°C to +85°C

B. ELECTRICAL CHARACTERISTICS:

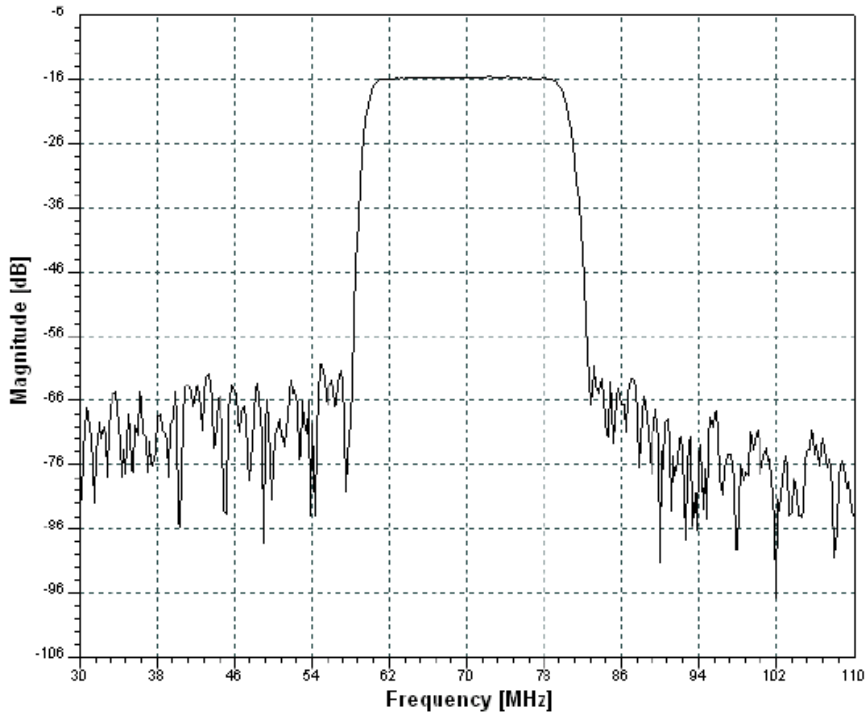
| Parameters | Unit | Min. | Typ. | Max. |
|---------------------------------------|--------|-------|-------|-------|
| Center frequency, Fc | MHz | 69.8 | 70 | 70.2 |
| Insertion Loss, IL | dB | - | 15.5 | 16.5 |
| 1 dB Bandwidth | MHz | 18.70 | 18.99 | - |
| 3 dB Bandwidth | MHz | 19.70 | 20.05 | - |
| 40 dB Bandwidth | MHz | - | 24.08 | 25.50 |
| Relative Attenuation: | | | | |
| 10 to 57MHz | dB | 40 | 45 | - |
| 83 to 140MHz | dB | 40 | 45 | - |
| Amplitude ripple within Fc ± 8.2MHz | dB | - | 0.5 | 1.0 |
| Group Delay ripple within Fc ± 8.2MHz | nsec | - | 25 | 50 |
| Absolute Group Delay at Fc | usec | - | 0.85 | - |
| Substrate Material | - | - | YZ-LN | - |
| Temperature Coefficient of frequency | ppm/°C | - | -94 | - |

SAW Filter 70.0MHz
Part No: MA05603

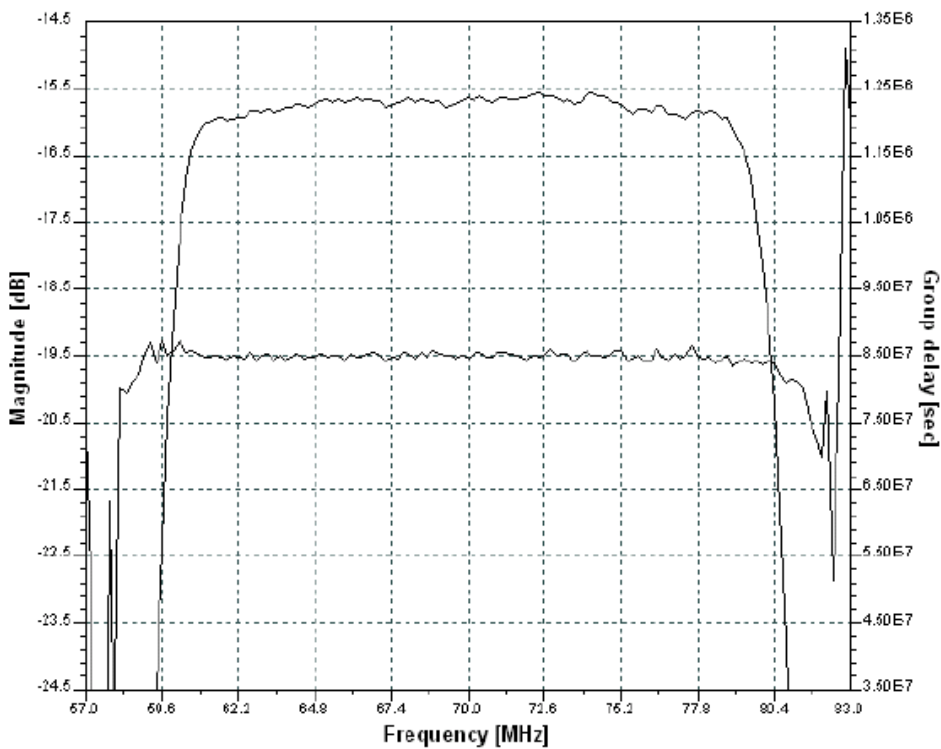
Model: TB0202A
Rev No: 4

C. FREQUENCY CHARACTERISTICS:

1. Frequency Response



2. Passband response and Group Delay Variation



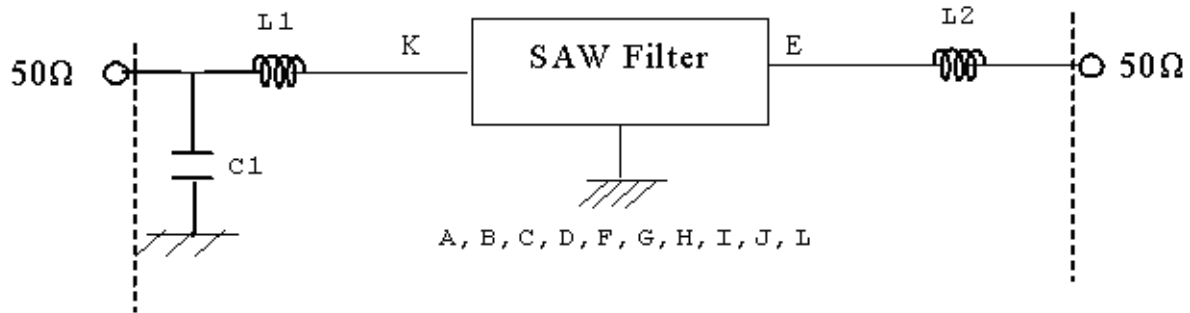
SAW Filter 70.0MHz
Part No: MA05603

Model: TB0202A
Rev No: 4

D. MEASUREMENT CIRCUIT:

Source and load impedance: 50Ω

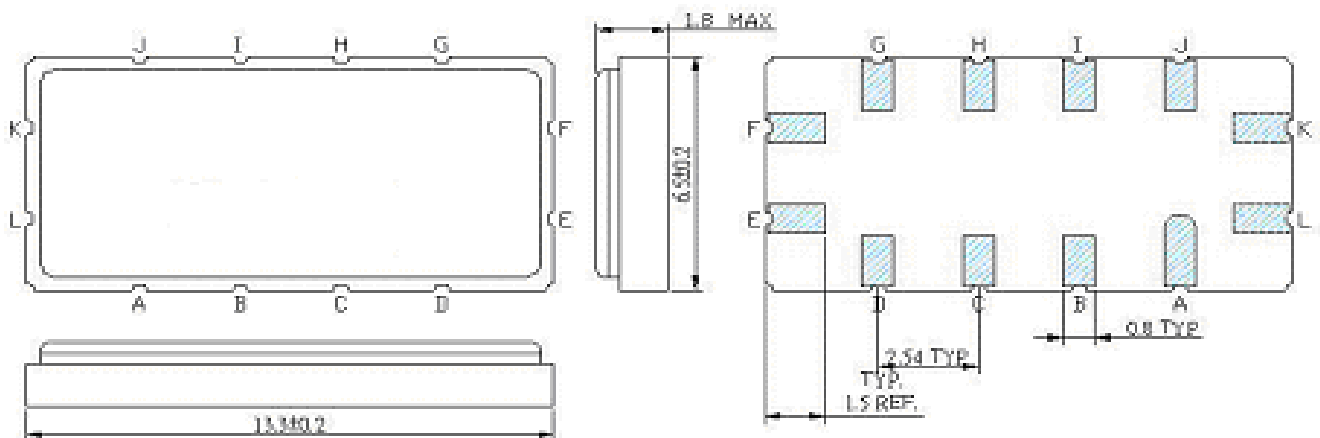
Network analyzer



Input: L1 = 100+39nH, Q>40; C1 = 47 pF

Output: L2 = 220+22nH, Q>40

E. OUTLINE DRAWING:



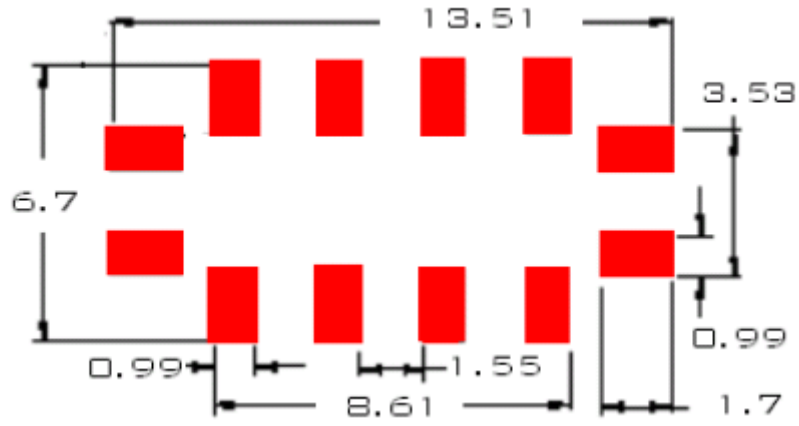
Unit: mm

K, L: RF input
 E, F: RF output
 Unit: mm

SAW Filter 70.0MHz
Part No: MA05603

Model: TB0202A
Rev No: 4

F. PCB FOOTPRINT:

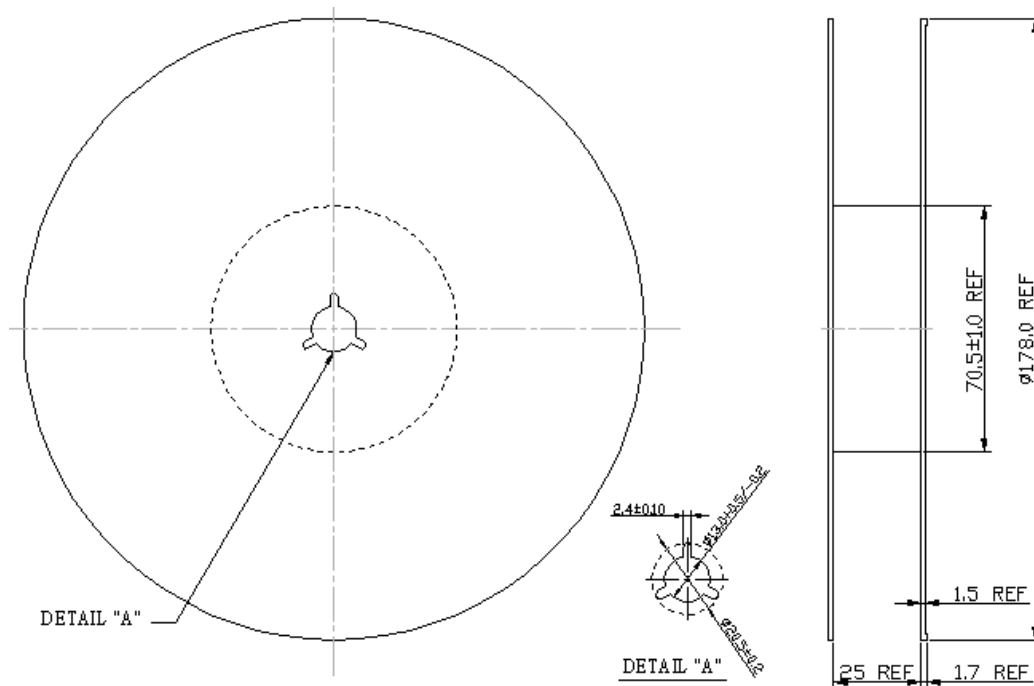


SAW Filter 70.0MHz
Part No: MA05603

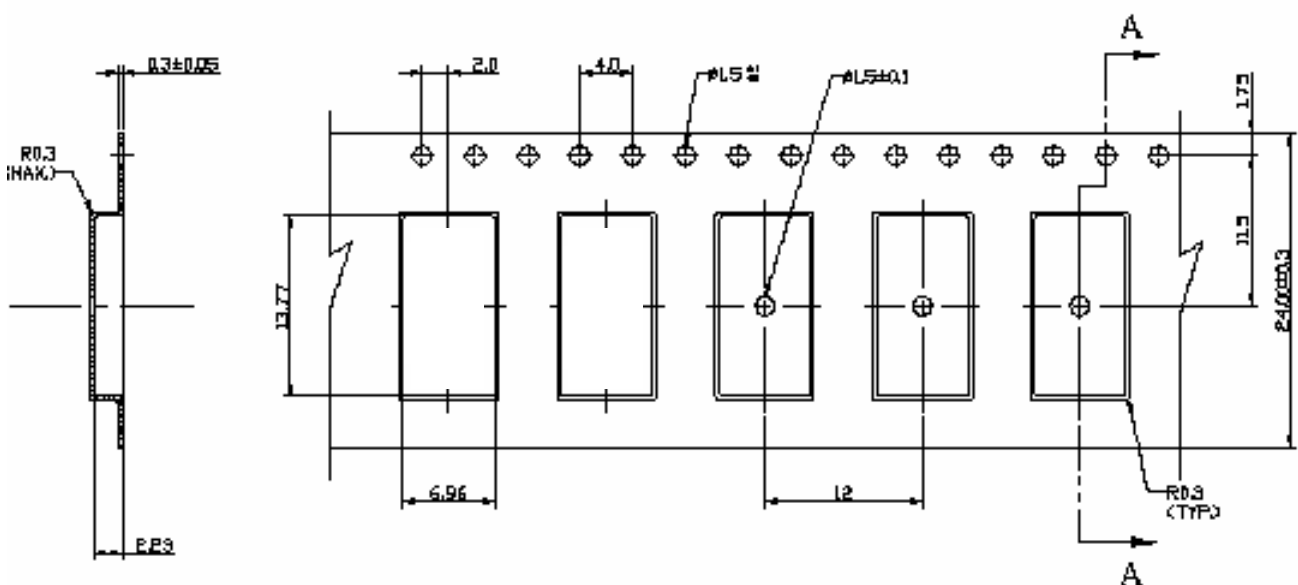
Model: TB0202A
Rev No: 4

G. PACKING:

1. Reel Dimension



2. Tape Dimension



SAW Filter 70.0MHz
Part No: MA05603

Model: TB0202A
Rev No: 4

H. RECOMMENDED REFLOW PROFILE:

