

SAW Filter 1030.0MHz
Part No: MP05919

Model: TA0973A
Rev No: 5

A. MAXIMUM RATING:

Electrostatic Sensitive Device

1. Input Power Level: 10dBm
2. DC voltage: 0V
3. Operating Temperature: -30°C to +85°C
4. Storage Temperature: -40°C to +85°C

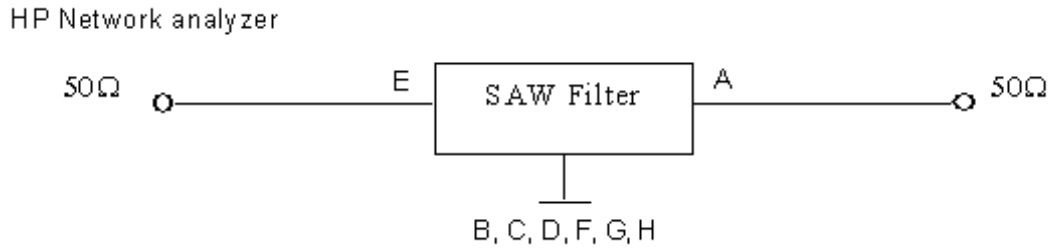
B. ELECTRICAL CHARACTERISTICS:

Characteristics (@25°C)	Min.	Typ.	Max.
Center frequency Fc (dB)	-	1030	-
Insertion loss within 1015 ~ 1045 MHz IL (dB)	-	2.2	3.0
Amplitude ripple (p-p) within 1025 ~ 1035 MHz (dB)	-	0.57	1.0
Attenuation (Reference level from 0 dB)			
DC ~ 910MHz (dB)	25.0	29.5	-
1090 ~ 1300MHz (dB)	25.0	36.5	-
VSWR within 1015 ~ 1045MHz	-	1.45	2.1
Source impedance Z _s (Ω)	-	50	-
Load impedance Z _L (Ω)	-	50	-

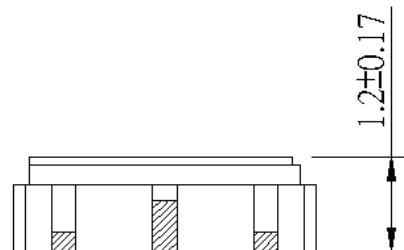
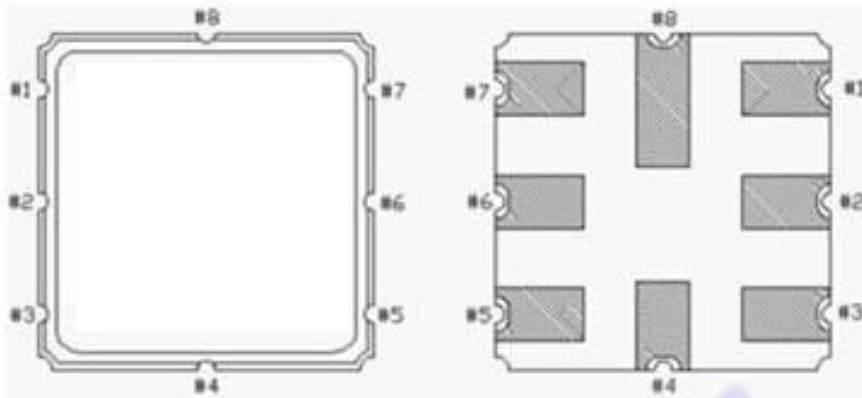
SAW Filter 1030.0MHz
Part No: MP05919

Model: TA0973A
Rev No: 5

C. MEASUREMENT CIRCUIT:

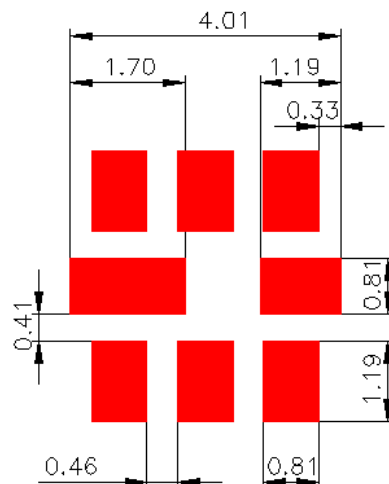


D. OUTLINE DRAWING:



A: Output
 E: Input
 B, C, D, F, G, H: Ground
 Unit: mm

E. PCB FOOTPRINT:

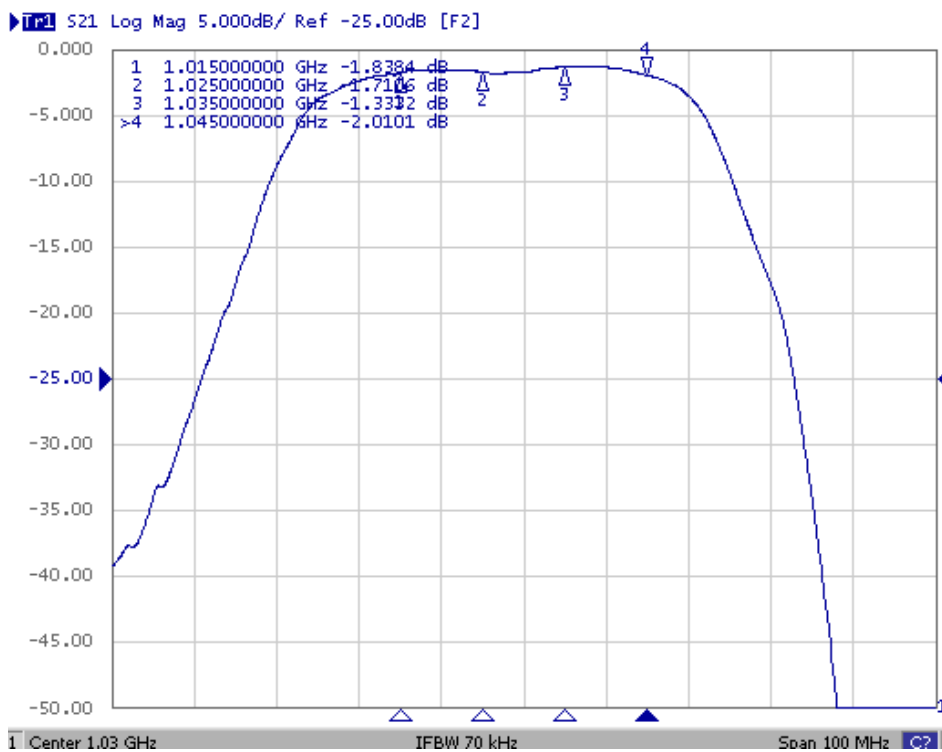
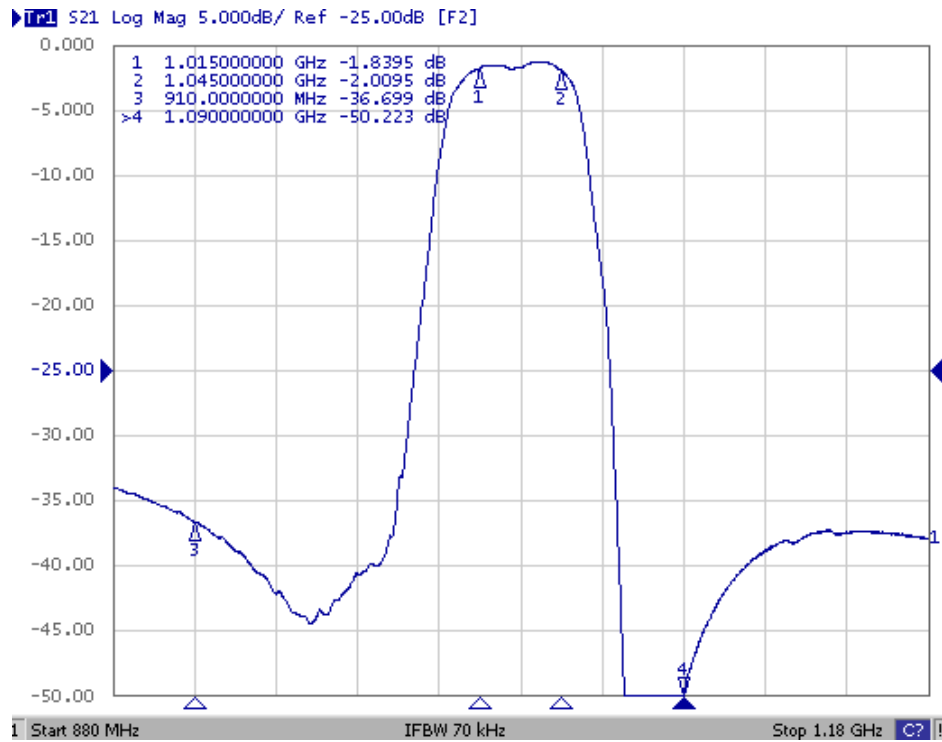


SAW Filter 1030.0MHz
Part No: MP05919

Model: TA0973A
Rev No: 5

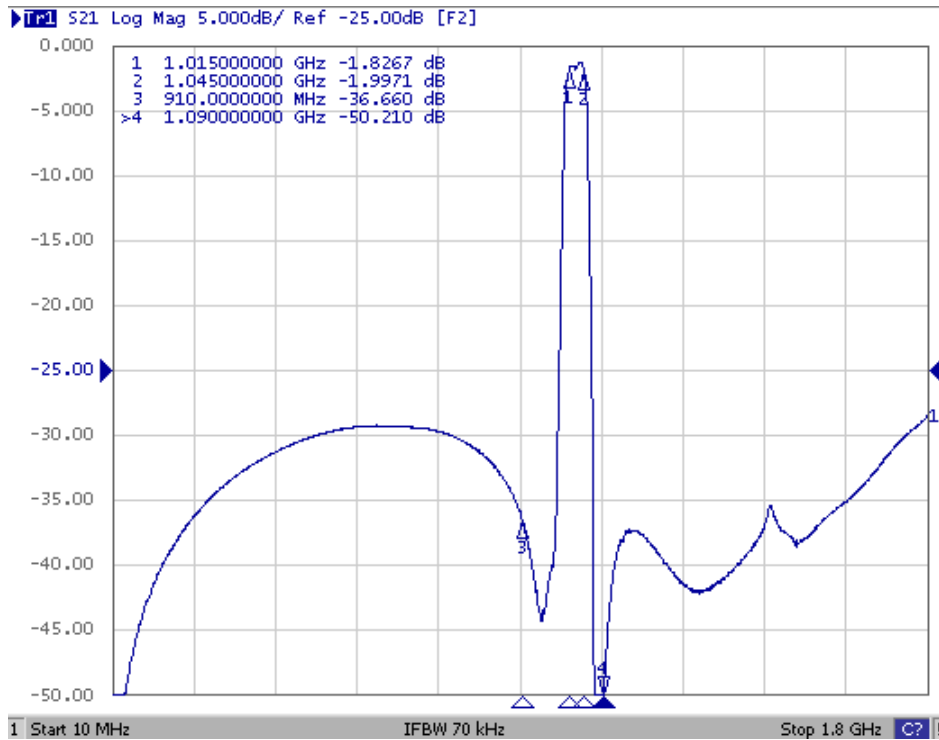
F. FREQUENCY CHARACTERISTICS:

1. Transfer function



SAW Filter 1030.0MHz
Part No: MP05919

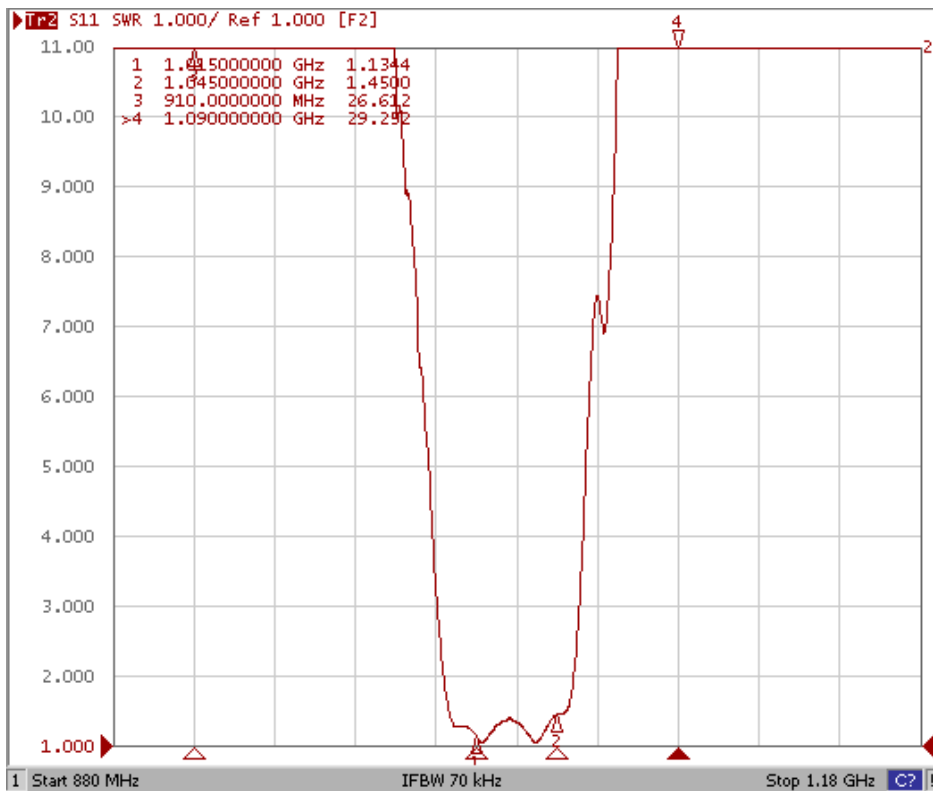
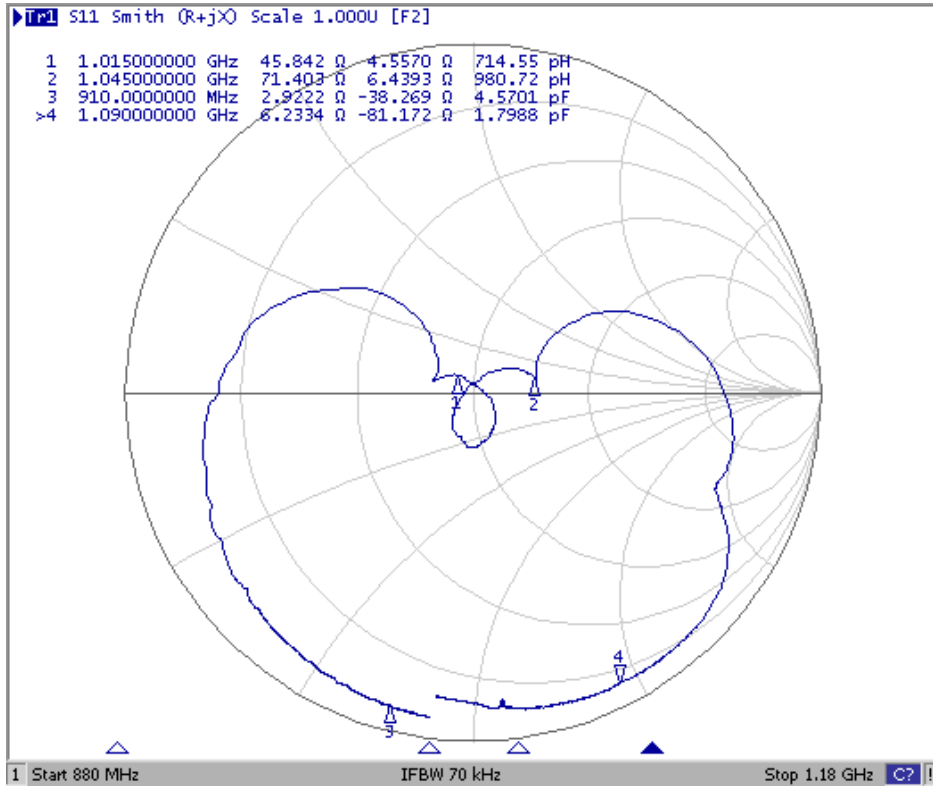
Model: TA0973A
Rev No: 5



SAW Filter 1030.0MHz
Part No: MP05919

Model: TA0973A
Rev No: 5

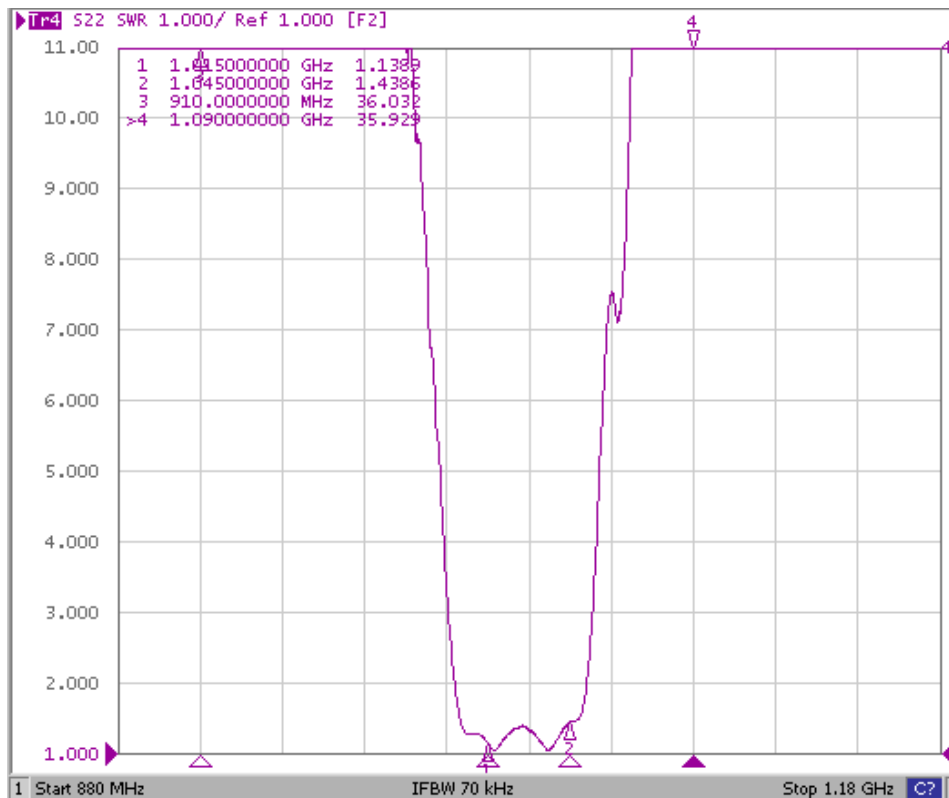
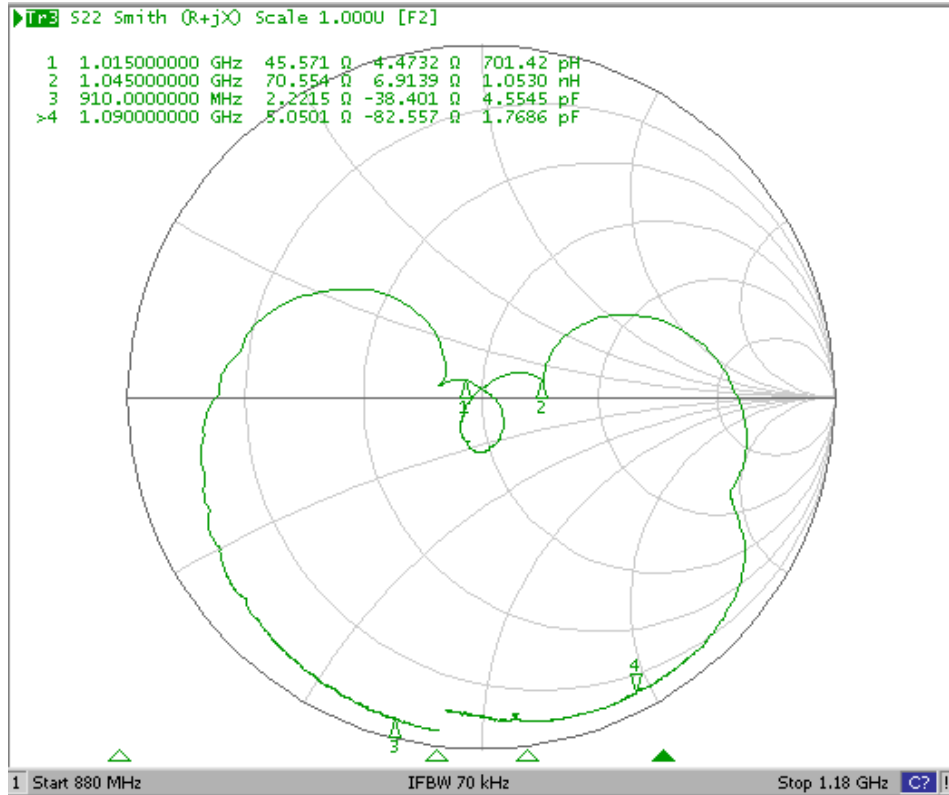
2. S11



SAW Filter 1030.0MHz
Part No: MP05919

Model: TA0973A
Rev No: 5

3. S22

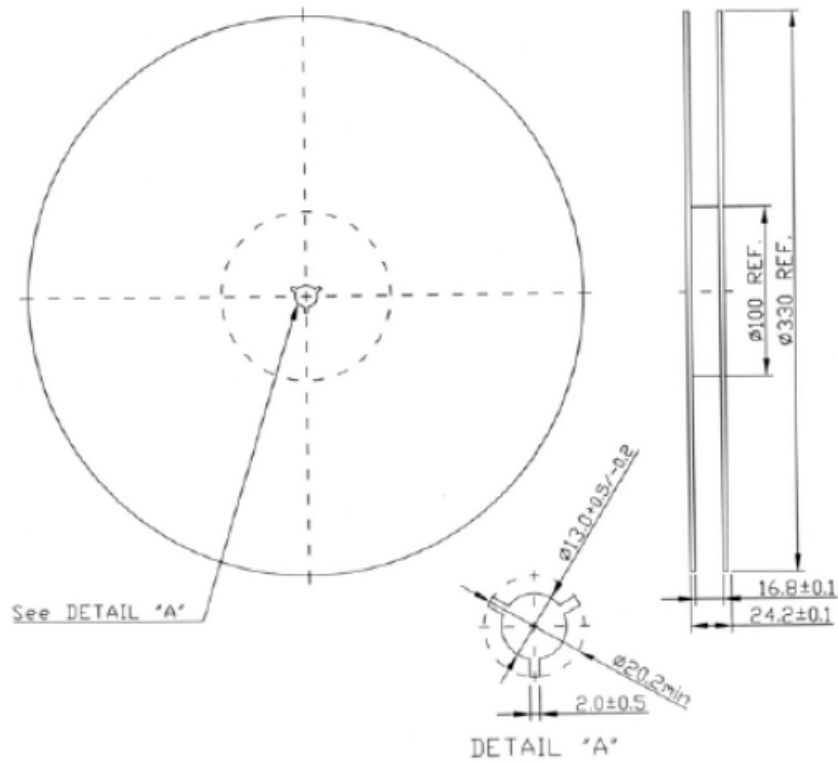


SAW Filter 1030.0MHz
Part No: MP05919

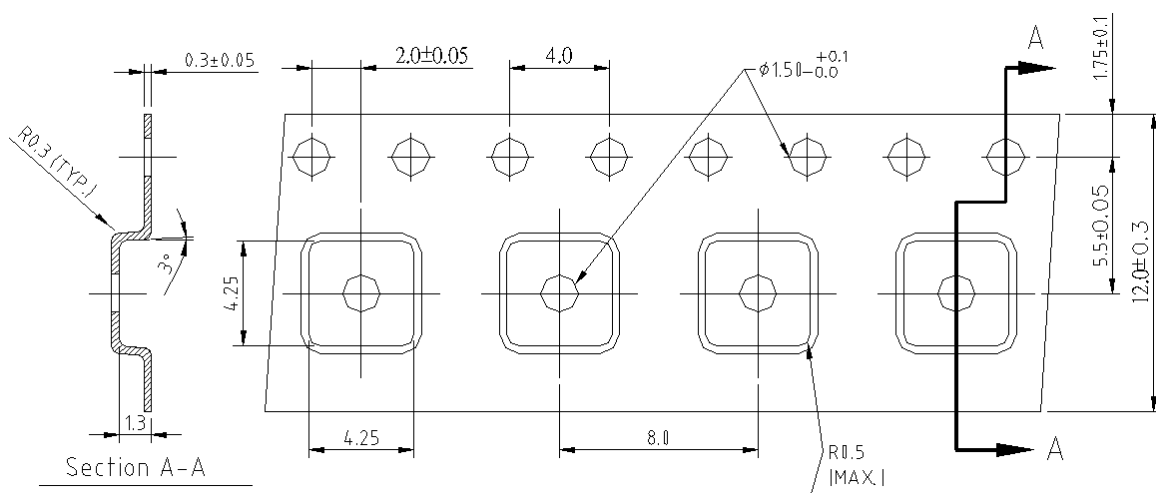
Model: TA0973A
Rev No: 5

G. PACKING:

1. Reel Dimensions



2. Tape Dimensions



SAW Filter 1030.0MHz
Part No: MP05919

Model: TA0973A
Rev No: 5

H. RECOMMENDED REFLOW PROFILE:

1. Preheating shall be fixed at 150 ~ 180°C for 60 ~ 90 seconds.
2. Ascending time to preheating temperature 150°C shall be 30 seconds min.
3. Heating shall be fixed at 220°C for 50 ~ 80 seconds and at 260°C +0/-5°C peak (20 ~ 40sec).
4. Time: 2 times.

