

SAW Filter 169.0MHz
Part No: MA07107

Model: TA0437A
Rev No: 2

A. MAXIMUM RATING:

1. Input Power Level: 15dBm
2. DC voltage: 3V
3. Operating Temperature: -10°C to +70°C
4. Storage Temperature: -40°C to +85°C
5. Moisture Sensitive Level (MSL): Level 1

B. ELECTRICAL CHARACTERISTICS:

Item	Unit	Min.	Typ.	Max.
Center Frequency Fc	MHz	-	169	-
Insertion Loss IL min (reference level)	dB	-	1.5	2.8
Bandwidth BW -3dB	MHz	6	8.8	-
Absolute Attenuation (reference to IL min dB)				
Fc -50 ~ Fc -30MHz	dB	42	54	-
Fc-30 ~ Fc-15MHz	dB	36	52	-
Fc+30 ~ Fc +50MHz	dB	40	51	-
Source impedance Z _S	Ω	-	50	-
Load impedance Z _L	Ω	-	50	-

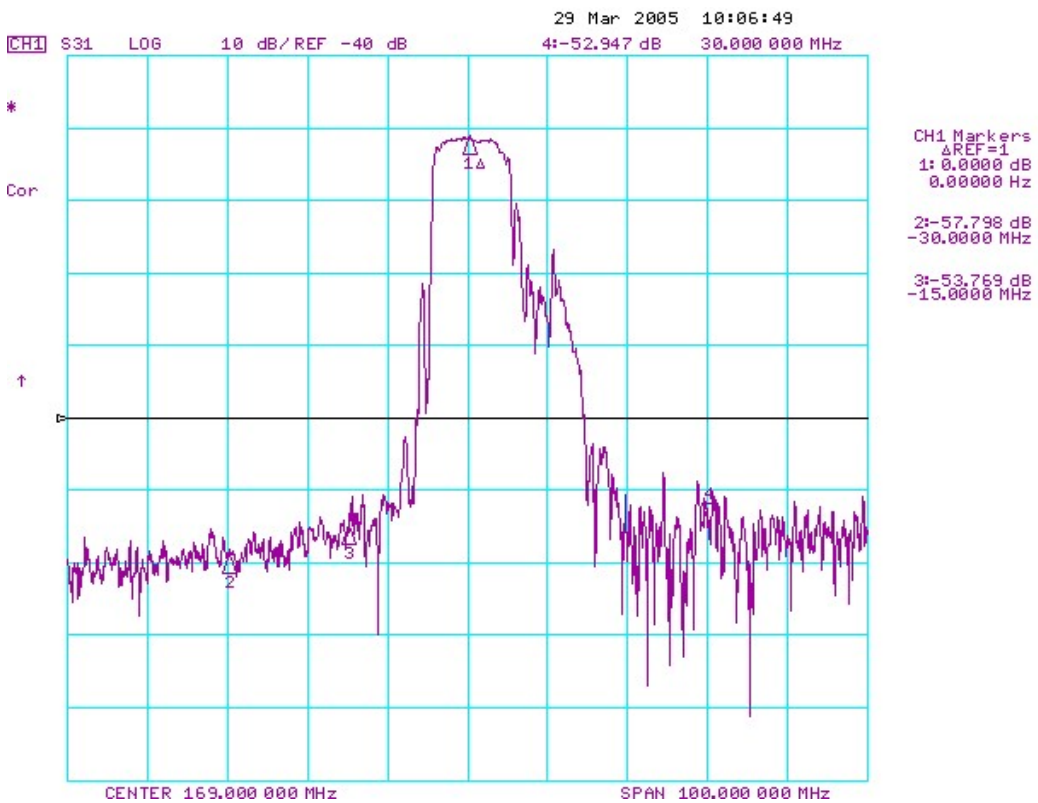
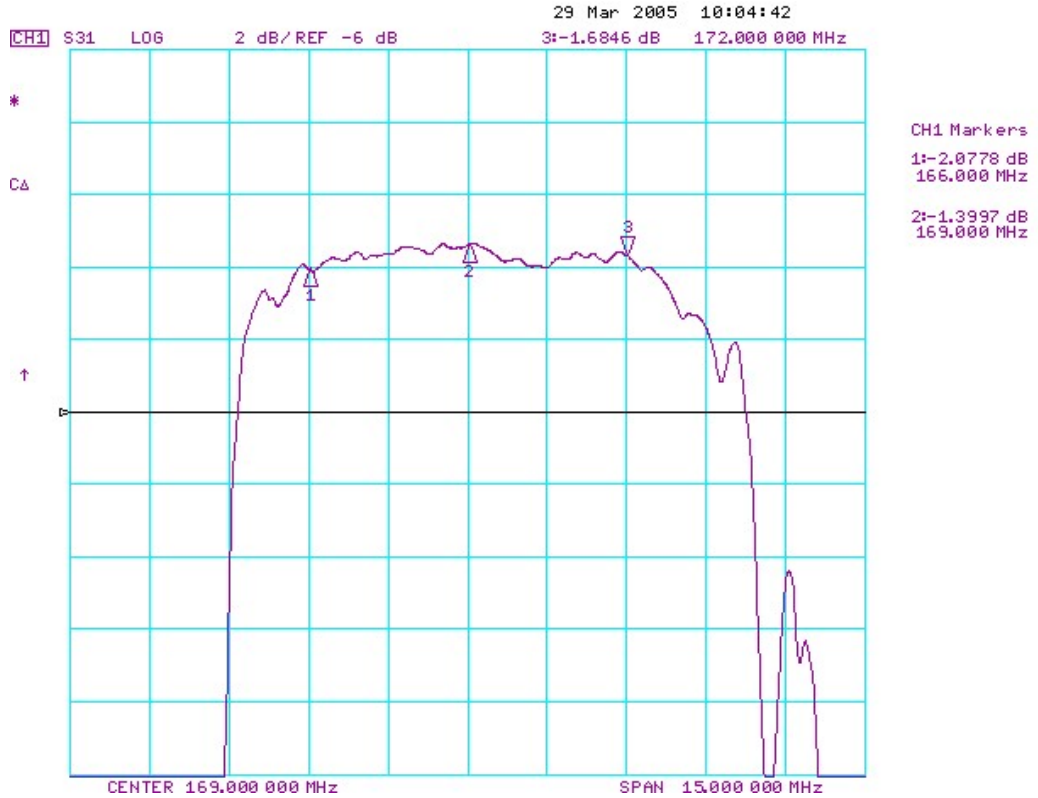
Note:

IL min is the minimum of the pass band attenuation. The center frequency Fc is the mean value of the upper and lower frequencies at the 3dB filter attenuation level relative to the IL min.

SAW Filter 169.0MHz
Part No: MA07107

Model: TA0437A
Rev No: 2

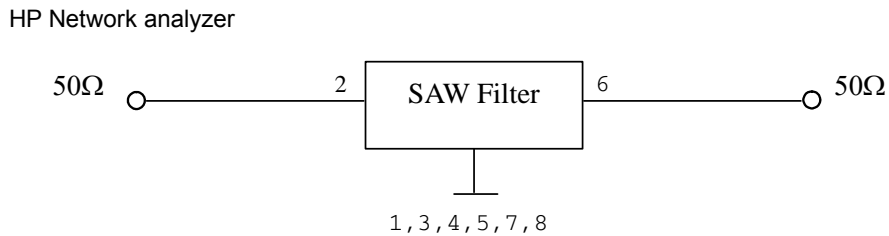
C. FREQUENCY CHARACTERISTICS:



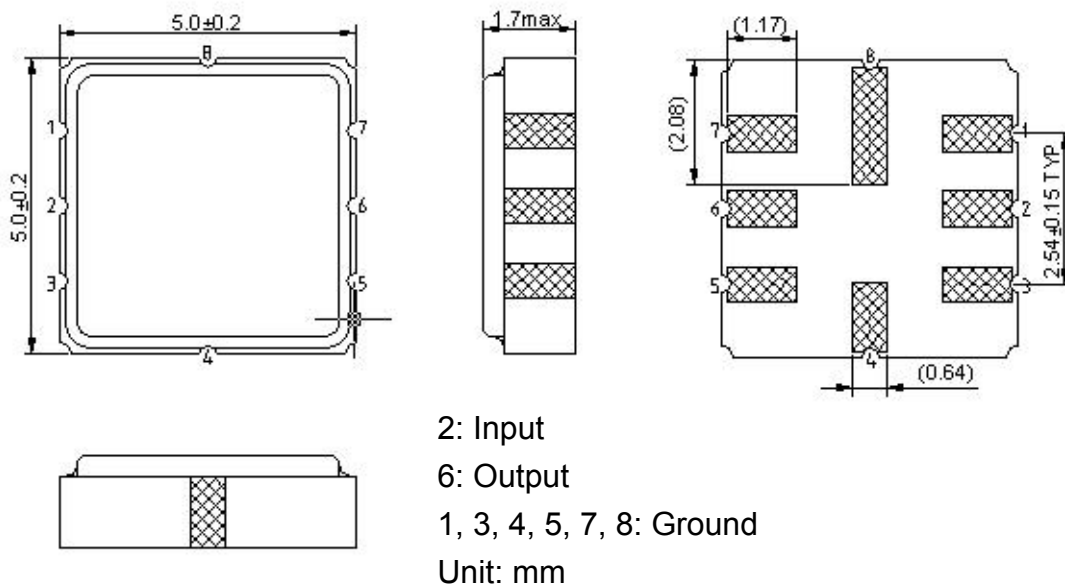
SAW Filter 169.0MHz
Part No: MA07107

Model: TA0437A
Rev No: 2

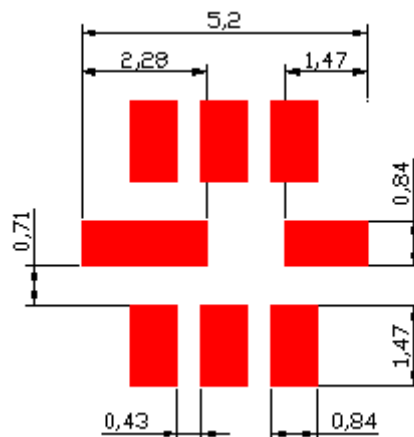
D. MEASUREMENT CIRCUIT:



E. OUTLINE DRAWING:



F. PCB FOOTPRINT:

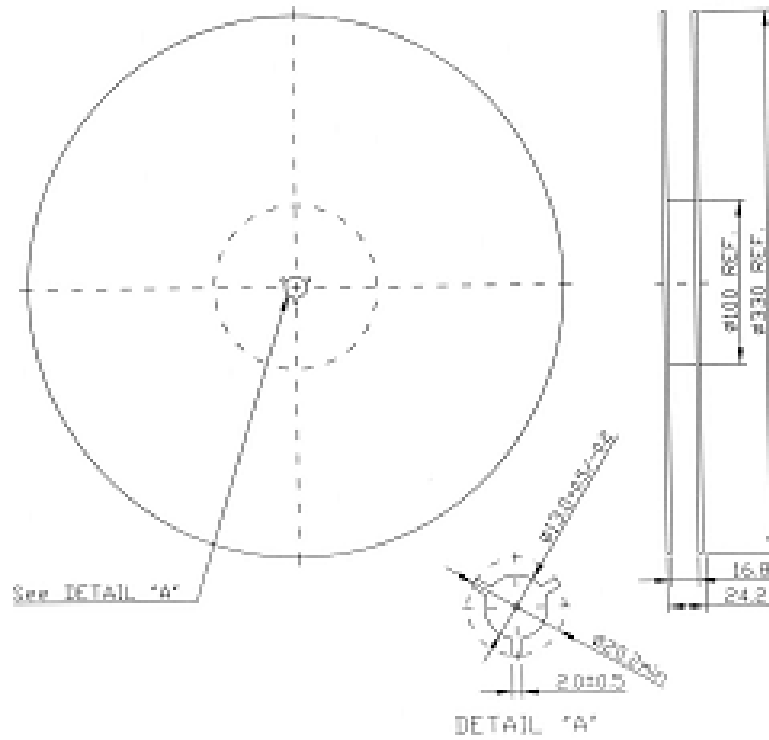


SAW Filter 169.0MHz
Part No: MA07107

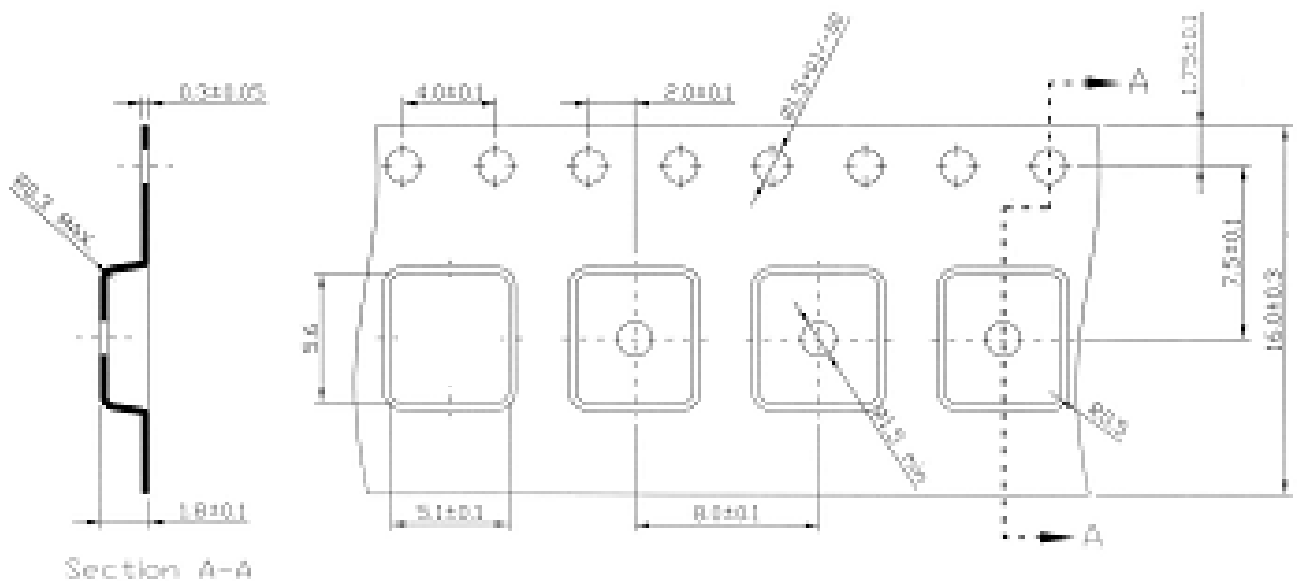
Model: TA0437A
Rev No: 2

G. PACKING:

1. Reel Dimension



2. Tape Dimension



Direction of Feed

