

SAW Filter 1457.0MHz
Part No: MP03360

Model: TA1048A
Rev No: 1

A. MAXIMUM RATING:

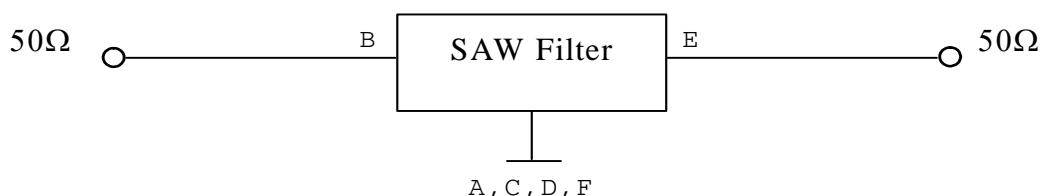
1. Input Power Level: +10dBm
2. DC Voltage: 3V
3. Operating Temperature: 0°C to +85°C
4. Storage Temperature: -40°C to +85°C

B. ELECTRICAL CHARACTERISTICS:

Item	Unit	Min.	Typ.	Max.	Note
Center Frequency Fc	MHz	-	1457	-	-
Insertion Loss (1454.5 ~ 1459.5MHz) IL	dB	-	2.7	4	-
Insertion Loss at Center Frequency ILc	dB	-	2.7	3.3	-
Amplitude Ripple (1454.5 ~ 1459.5MHz)	dB	-	0.1	1	-
Bandwidth @ -1dB	MHz	5	38	-	-
VSWR (1454.5 ~ 1459.5MHz)		-	1.6	2	-
Attenuation (Reference level from 0dB)					
DC ~ 100MHz	dB	60	72	-	-
100 ~ 1395MHz	dB	40	49	-	-
1395 ~ 1401MHz	dB	30	49	-	-
1513 ~ 1519MHz	dB	30	45	-	-
2852 ~ 2976MHz	dB	40	45	-	-
4309 ~ 4433MHz	dB	8	16	-	-

C. MEASUREMENT CIRCUIT:

HP Network analyzer



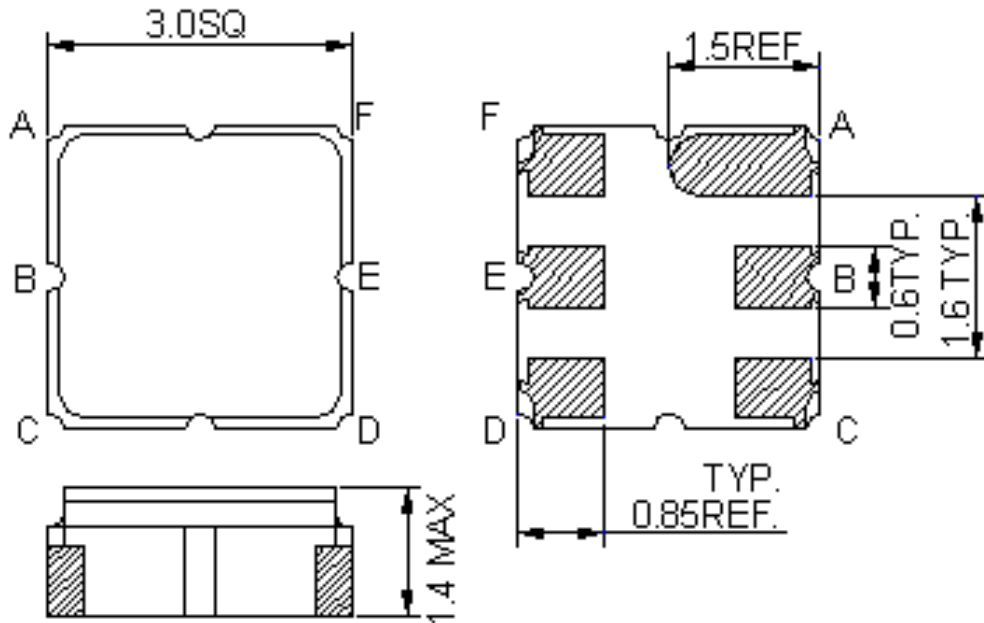
SAW Filter 1457.0MHz

Model: TA1048A

Part No: MP03360

Rev No: 1

D. OUTLINE DRAWING:



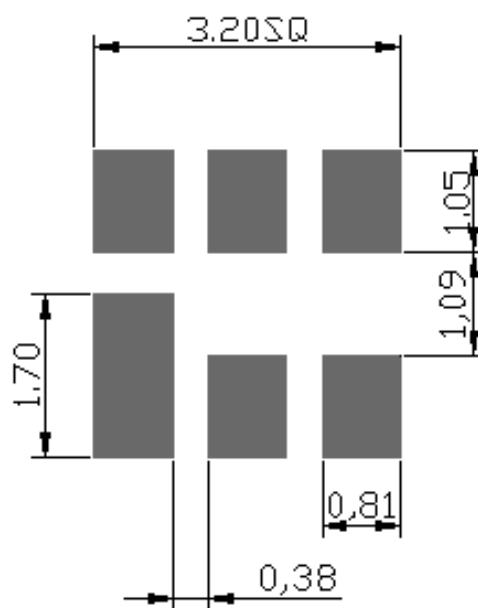
B: Input

E: Output

A, C, D, F: Ground

Unit: mm

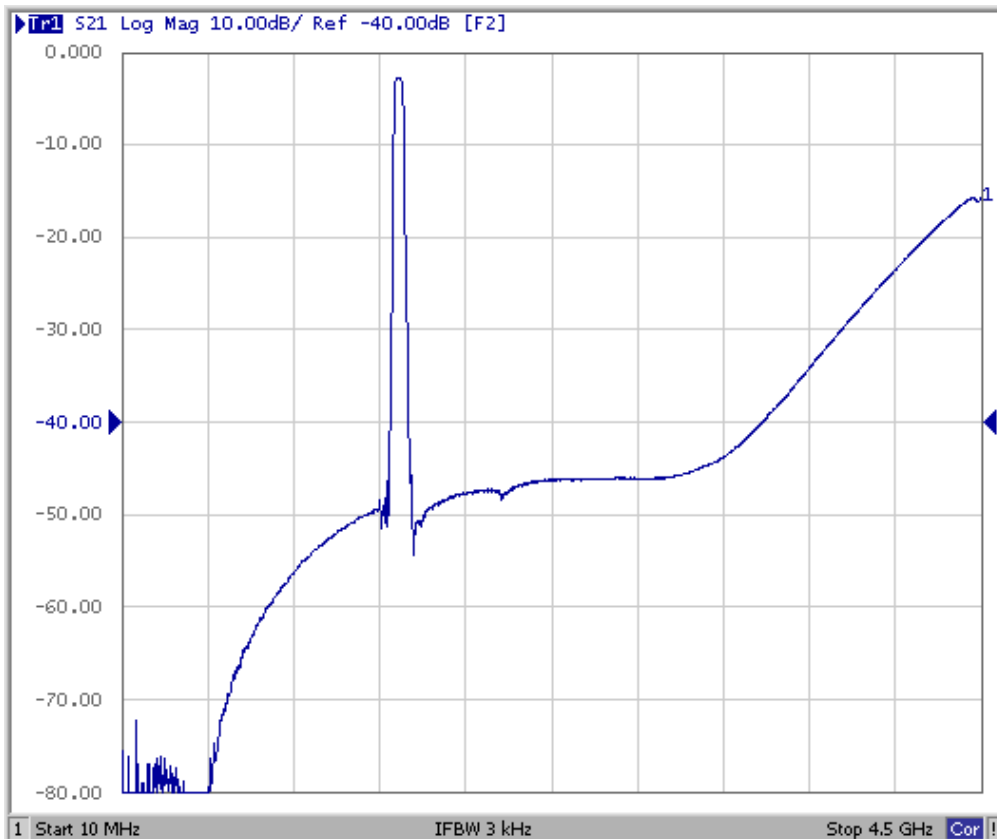
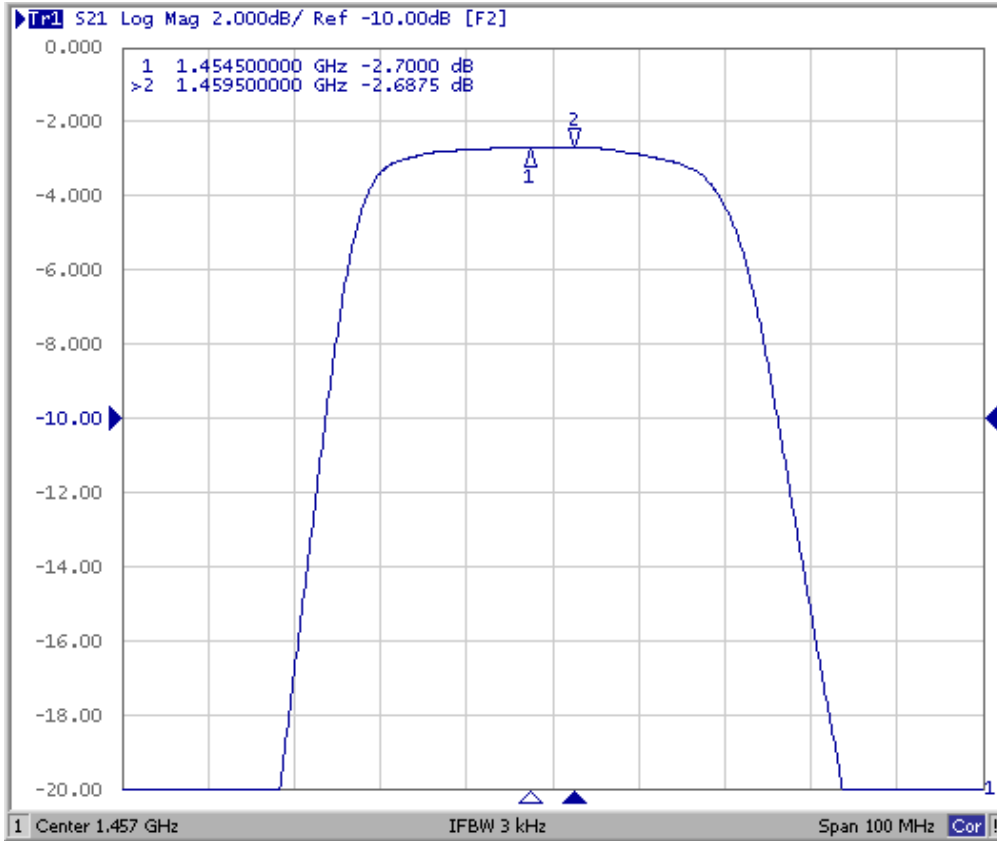
E. PCB FOOTPRINT:



SAW Filter 1457.0MHz
Part No: MP03360

Model: TA1048A
Rev No: 1

F. FREQUENCY CHARACTERISTICS:

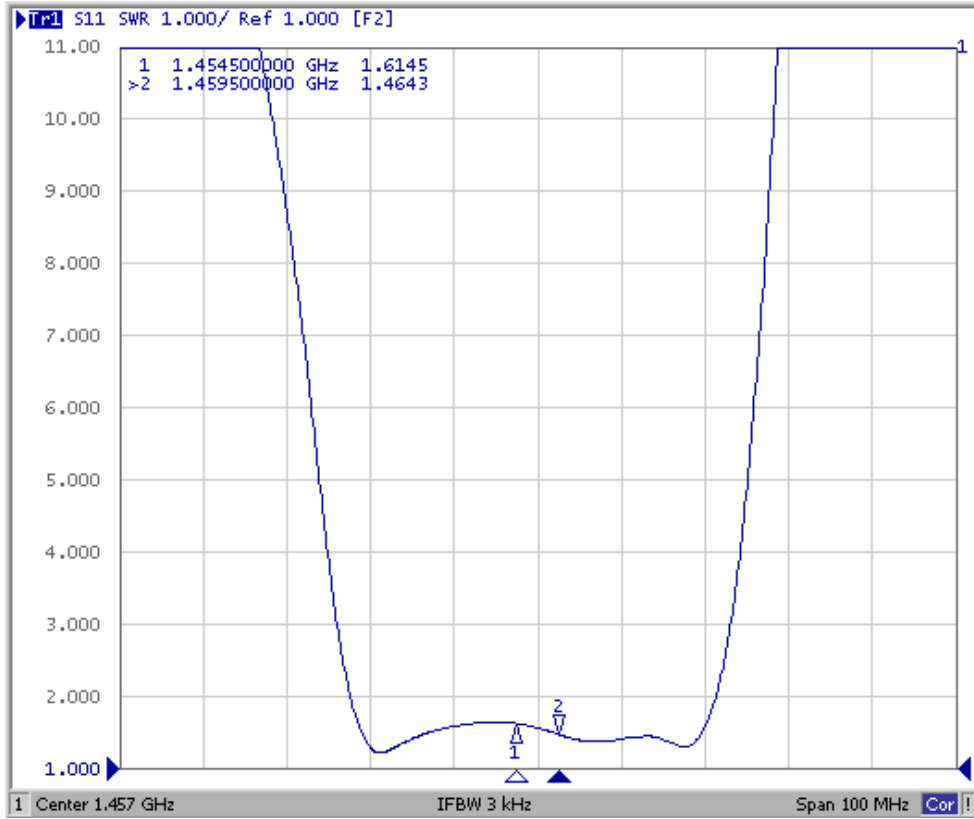


SAW Filter 1457.0MHz
Part No: MP03360

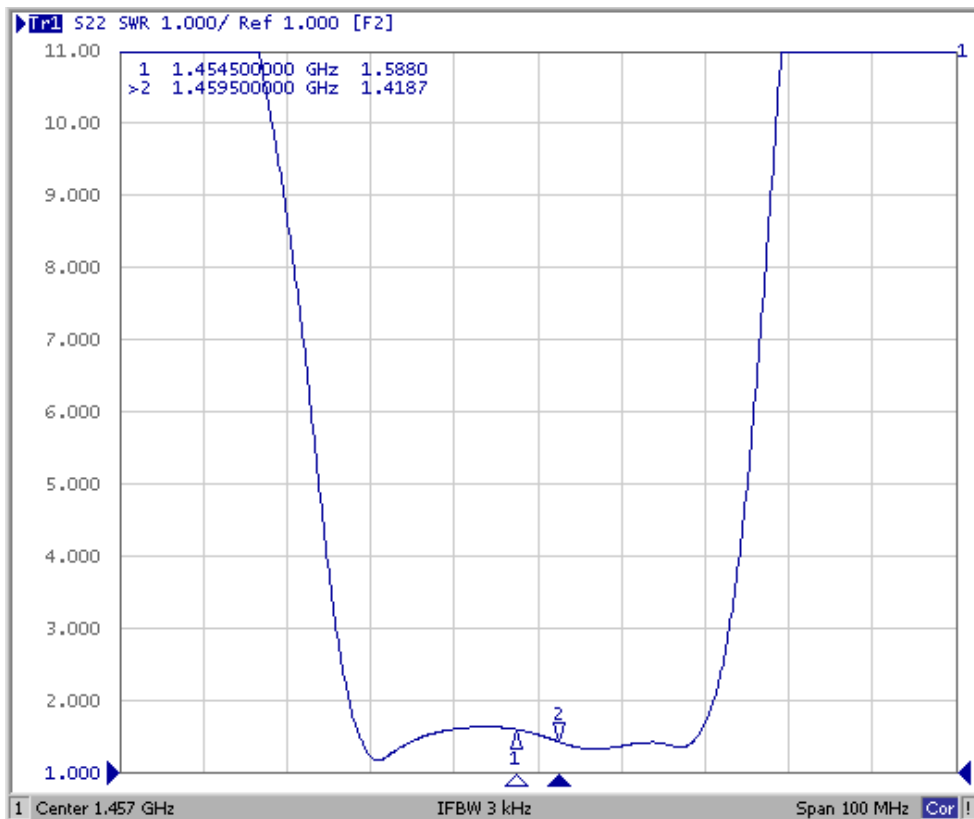
Model: TA1048A
Rev No: 1

Reflection Functions:

S11



S22

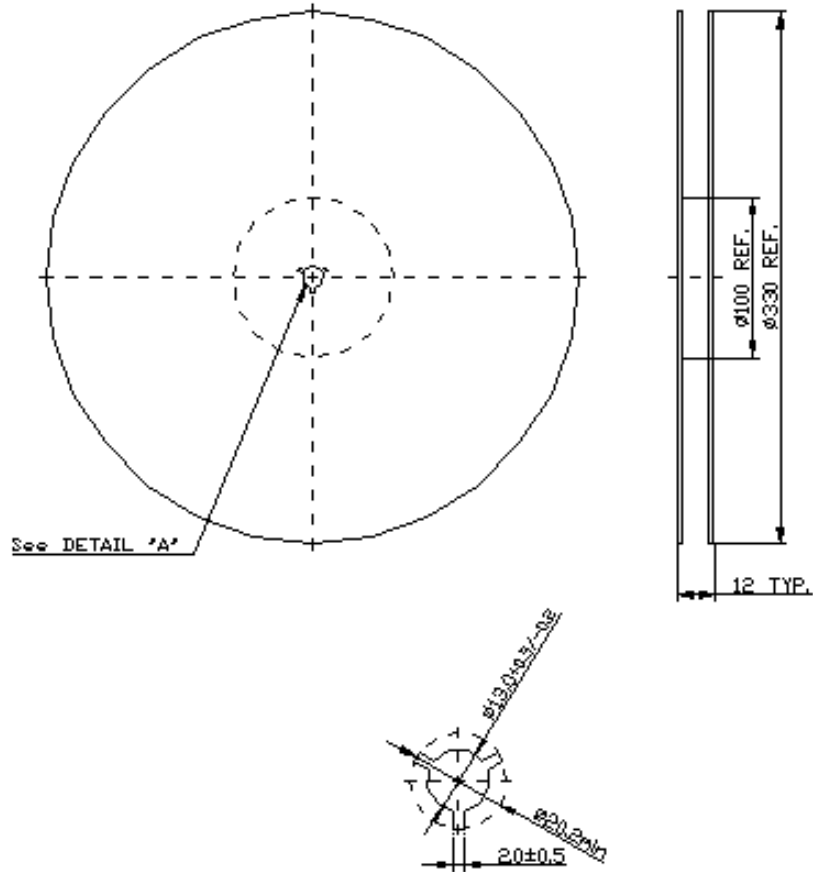


SAW Filter 1457.0MHz
Part No: MP03360

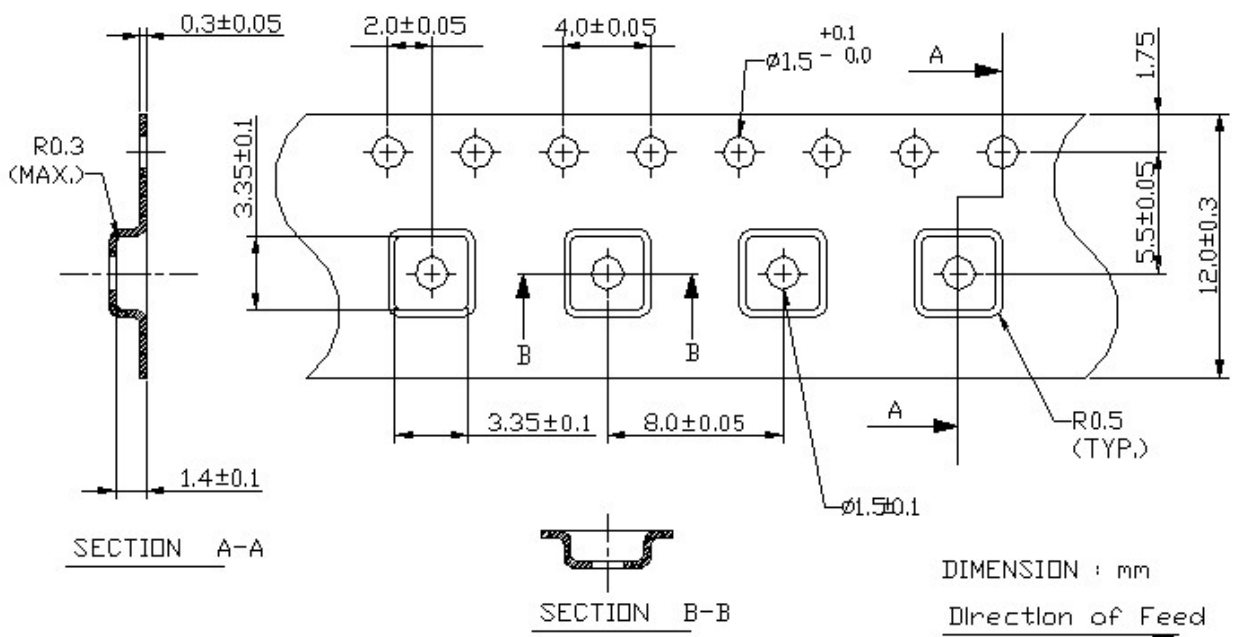
Model: TA1048A
Rev No: 1

G. PACKING:

1. Reel Dimension



2. Tape Dimension



SAW Filter 1457.0MHz
Part No: MP03360

Model: TA1048A
Rev No: 1

H. RECOMMENDED REFLOW PROFILE:

