

SAW Filter 856.0MHz
Part No: MP09252

Model: TA1642A
Rev No: 1

A. MAXIMUM RATING:

Electrostatic Sensitive Device (ESD)

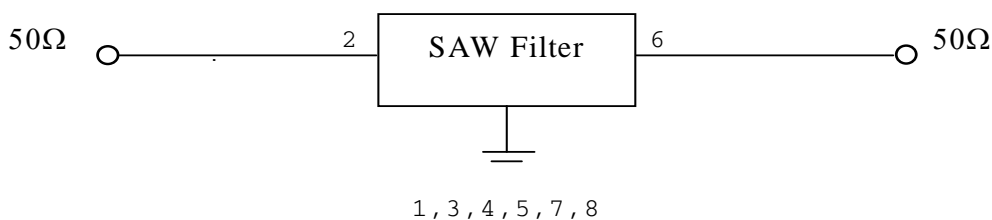
1. Input Power Level: 20dBm
2. DC Voltage: 3V
3. Operating Temperature: -30°C to +85°C
4. Storage Temperature: -40°C to +85°C

B. ELECTRICAL CHARACTERISTICS:

Item	Unit	Min.	Typ.	Max.
Center frequency Fc	MHz	-	856	-
Insertion Loss (851 ~ 861MHz) IL	dB	-	2.9	4.0
Amplitude Ripple (851 ~ 861MHz)	dB	-	0.5	2.4
Attenuation (Reference level from 0dB)				
DC ~ 837MHz	dB	35	51	-
837 ~ 840MHz	dB	10	47	-
872 ~ 875MHz	dB	10	21	-
875 ~ 1500MHz	dB	15	28	-
Temperature Coefficient of Frequency	ppm/°C	-	-36	-

C. MEASUREMENT CIRCUIT:

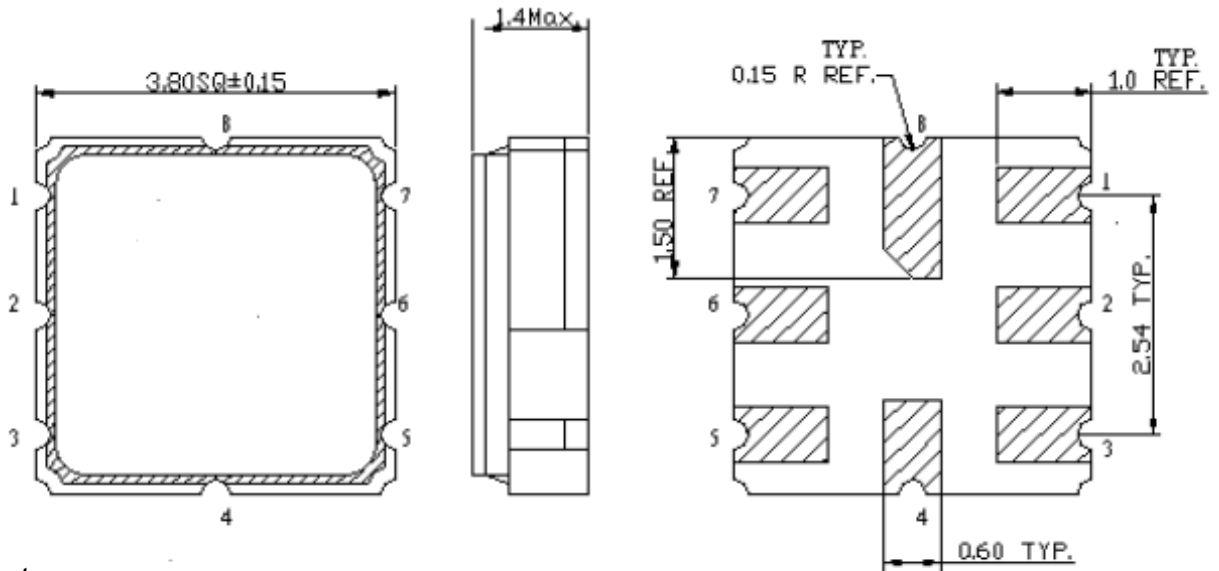
HP Network analyzer



SAW Filter 856.0MHz
Part No: MP09252

Model: TA1642A
Rev No: 1

D. OUTLINE DRAWING:



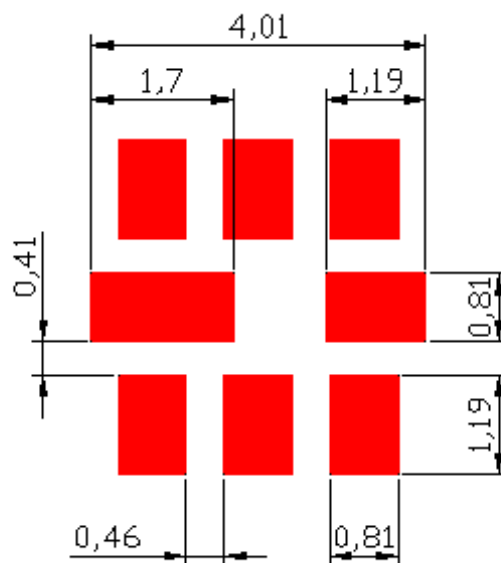
2: Input

6: Output

1, 3, 4, 5, 7, 8: Ground

Unit: mm

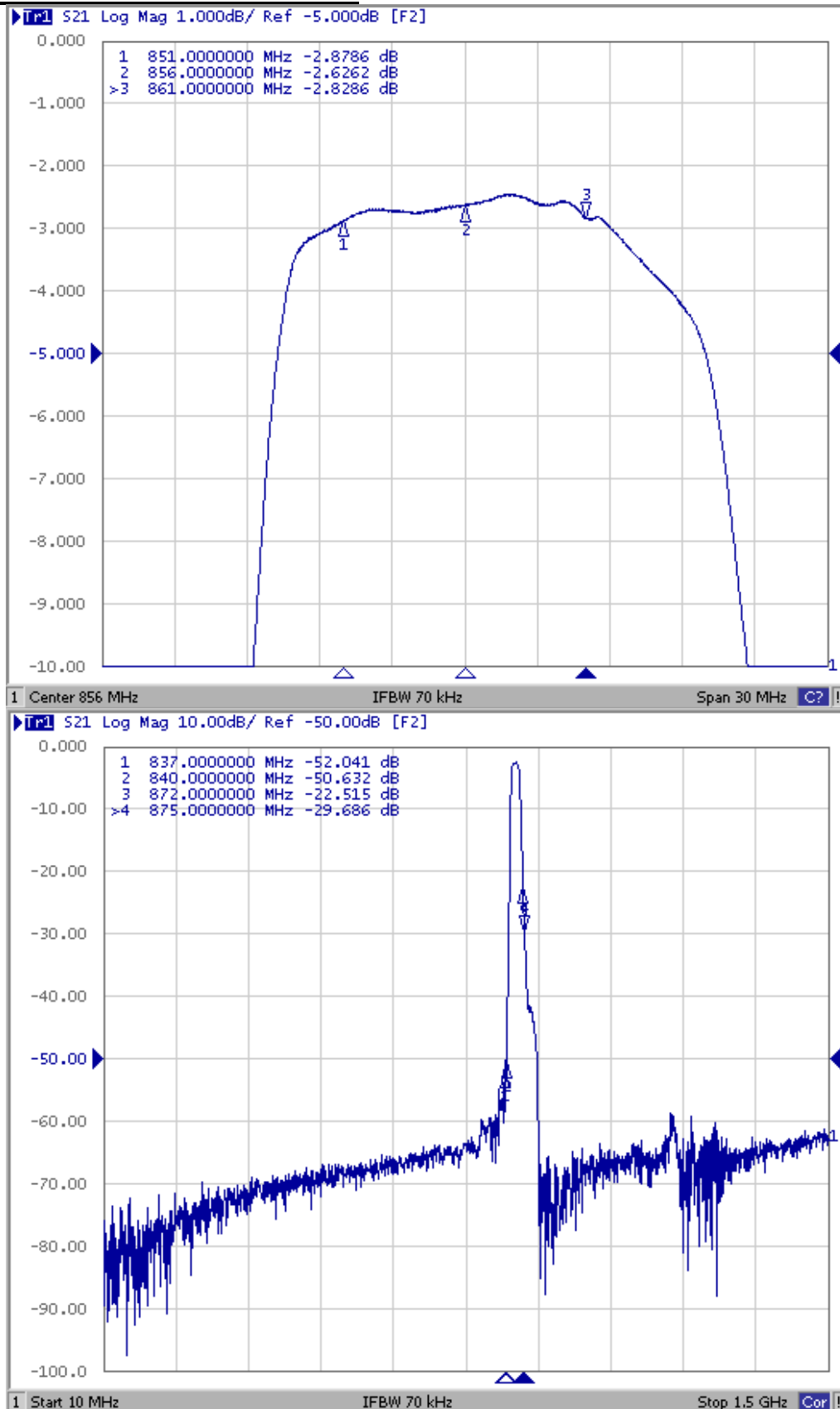
E. PCB FOOTPRINT:



SAW Filter 856.0MHz
Part No: MP09252

Model: TA1642A
Rev No: 1

F. FREQUENCY CHARACTERISTICS:

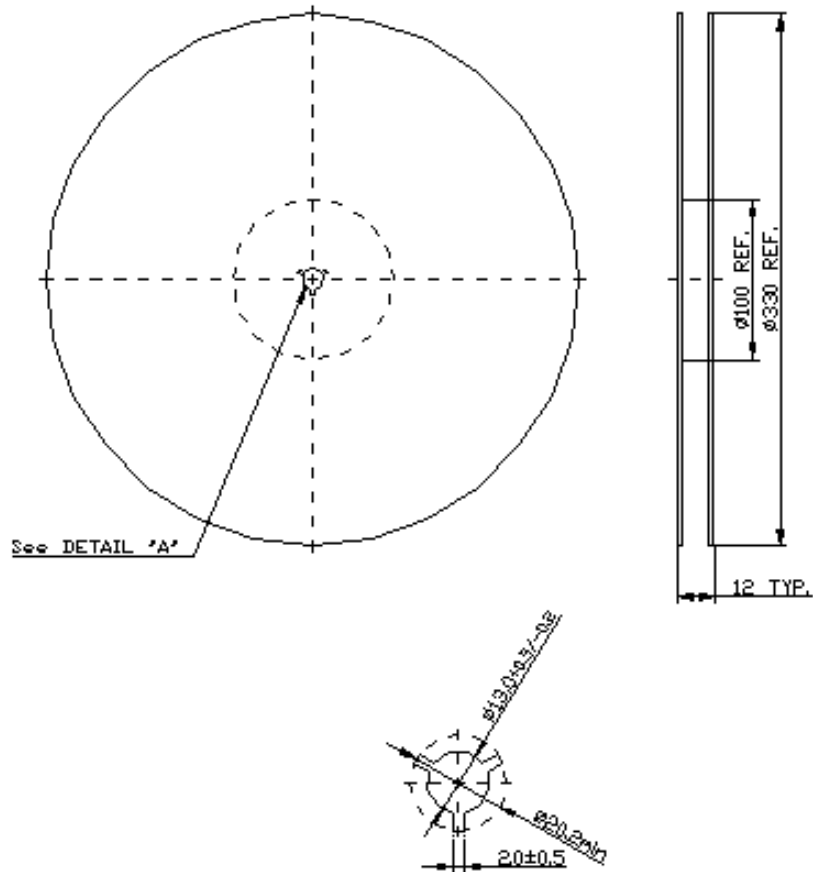


SAW Filter 856.0MHz
Part No: MP09252

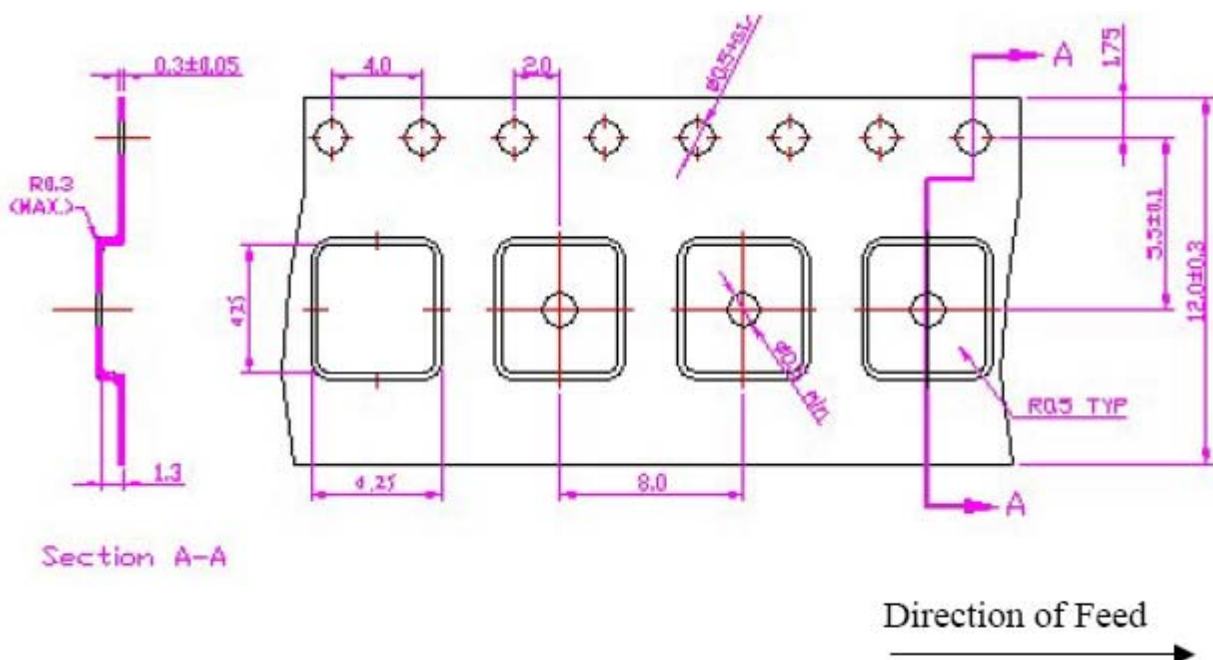
Model: TA1642A
Rev No: 1

G. PACKING:

1. Reel Dimension



2. Tape Dimension



SAW Filter 856.0MHz
Part No: MP09252

Model: TA1642A
Rev No: 1

H. RECOMMENDED REFLOW PROFILE:

