

PRODUCT CHANGE NOTICE

Document ref:	PCN020628A v1.0
Issued:	28 Jun 02
Authorised:	JPG

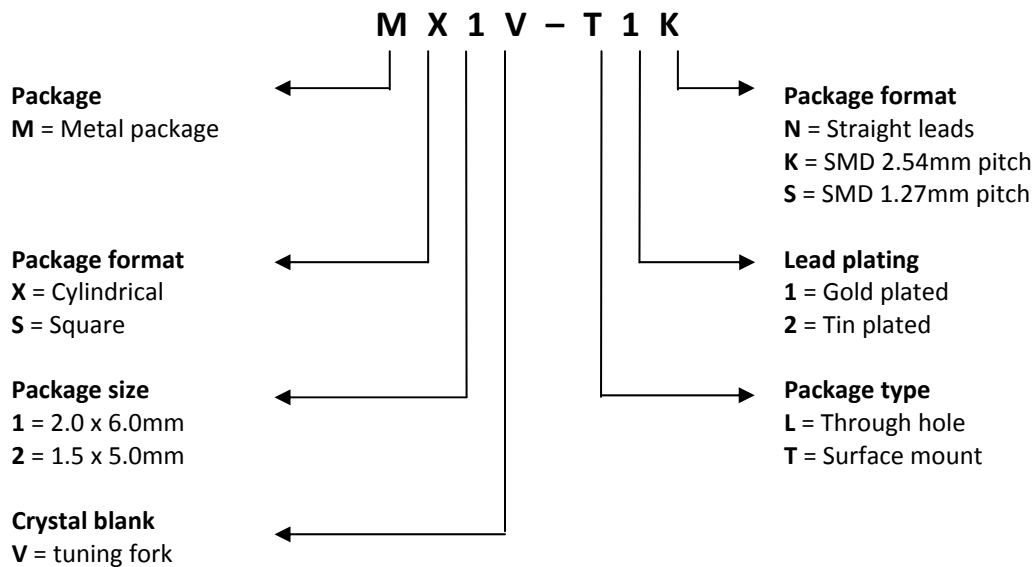
Products affected

DS26, MS1V, MS2V, MX1V

Description

In order to standardise our coding convention for tuning fork crystals in cylindrical and square metal packages, the above products have been re-coded. There has been no change to the electrical or mechanical specifications of the products.

Explanatory example:



Coding changes

Old code	New code
DS26	DS26-L2N
MS1V-TK	MS1V-T1K
MS2V-TS	MS1V-T1S
MX1V-0N	MX1V-L2N
MX1V-TK	MX1V-T1K
MX1V-TS	MX1V-T1S

If you have any queries, please contact sales@golledge.com