

SAW Filter 2595.0MHz
Part No: MP07860

Model: TA1968A
Rev No: 1

A. MAXIMUM RATING:

Electrostatic Sensitive Device (ESD)

1. Input Power Level: 10dBm
2. DC Voltage: 0V
3. Operating Temperature: -30°C to +85°C
4. Storage Temperature: -40°C to +85°C
5. ESD 50V (MM) 100V (HBM)

B. ELECTRICAL CHARACTERISTICS:

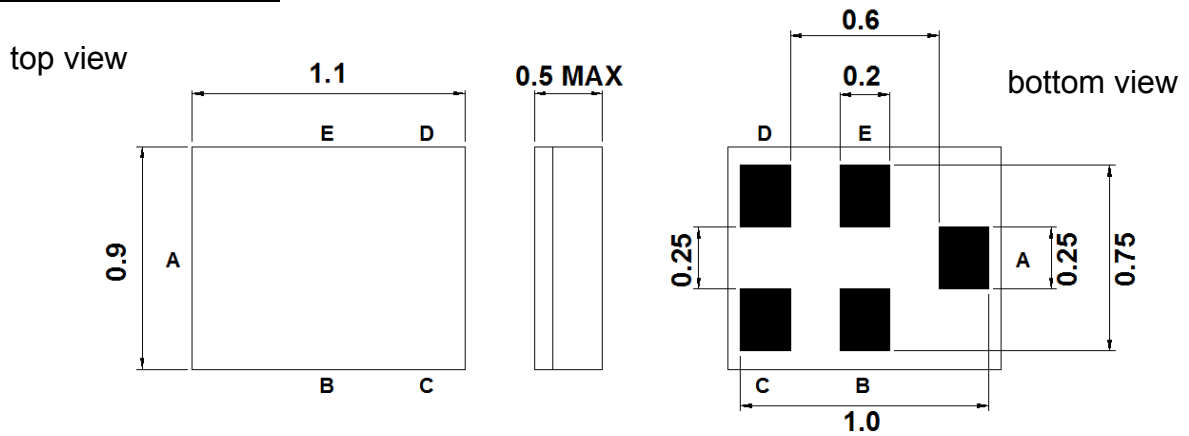
1. Terminating source impedance: $Z_S = 50\Omega$
2. Terminating load impedance: $Z_L = 50\Omega$

Item	Unit	Min.	Typ.	Max.	Note
Center Frequency Fc	MHz	-	2595	-	-
Insertion Loss (2570 ~ 2620MHz)	dB	-	1.6	2.5	-
Amplitude ripple (2570 ~ 2620MHz)	dB p-p	-	0.7	1.7	-
VSWR (2570 ~ 2620MHz)		-	1.8	2.2	-
Attenuation (reference level from 0dB)					
10 ~ 200MHz	dB	30	41	-	-
200 ~ 1570MHz	dB	20	29		
1570 ~ 1580MHz	dB	20	29		
1580 ~ 2000MHz	dB	20	29	-	-
2000 ~ 2300MHz	dB	20	31	-	-
2300 ~ 2400MHz	dB	25	37	-	-
2400 ~ 2485MHz	dB	25	30	-	-
2485 ~ 2510MHz	dB	25	29	-	-
2510 ~ 2555MHz	dB	1.0	2.8	-	-
2635 ~ 2680MHz	dB	1.0	2.8		
2680 ~ 2705MHz	dB	30	44		
2705 ~ 3000MHz	dB	25	36		
3000 ~ 4000MHz	dB	25	34		
4000 ~ 4900MHz	dB	20	26		
4900 ~ 6000MHz	dB	15	22		
Temperature Coefficient of Frequency	ppm/°C	-	-36	-	-

SAW Filter 2595.0MHz
Part No: MP07860

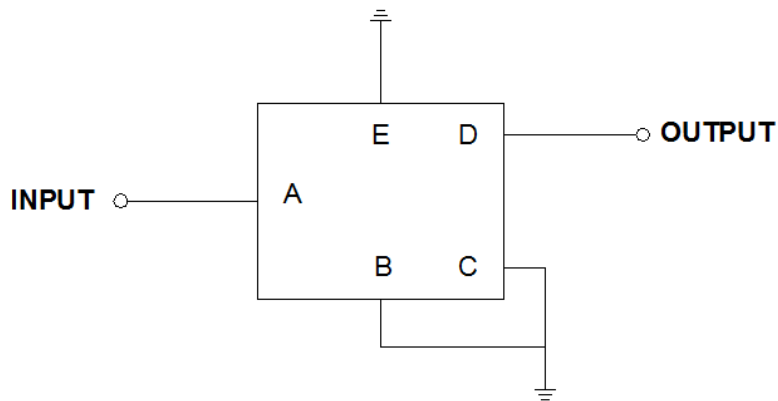
Model: TA1968A
Rev No: 1

C. OUTLINE DRAWING:



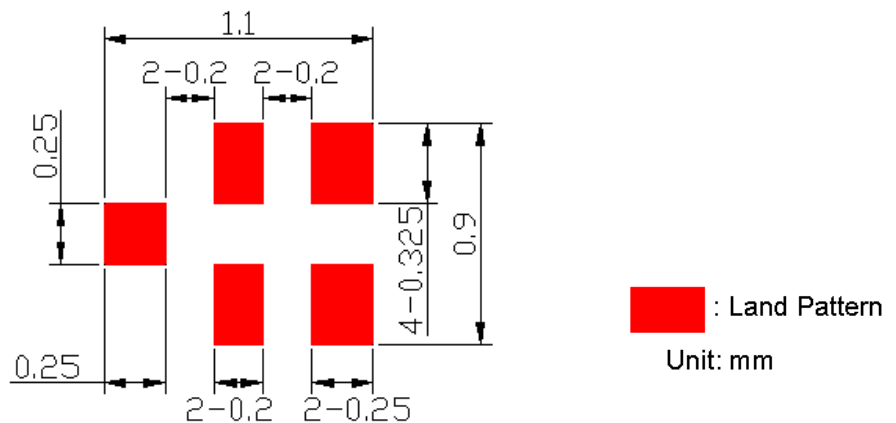
B, C, E: Ground
 A: Input
 D: Output

D. MEASUREMENT CIRCUIT:



Source & Load Impedance: 50 Ω

E. PCB FOOTPRINT:

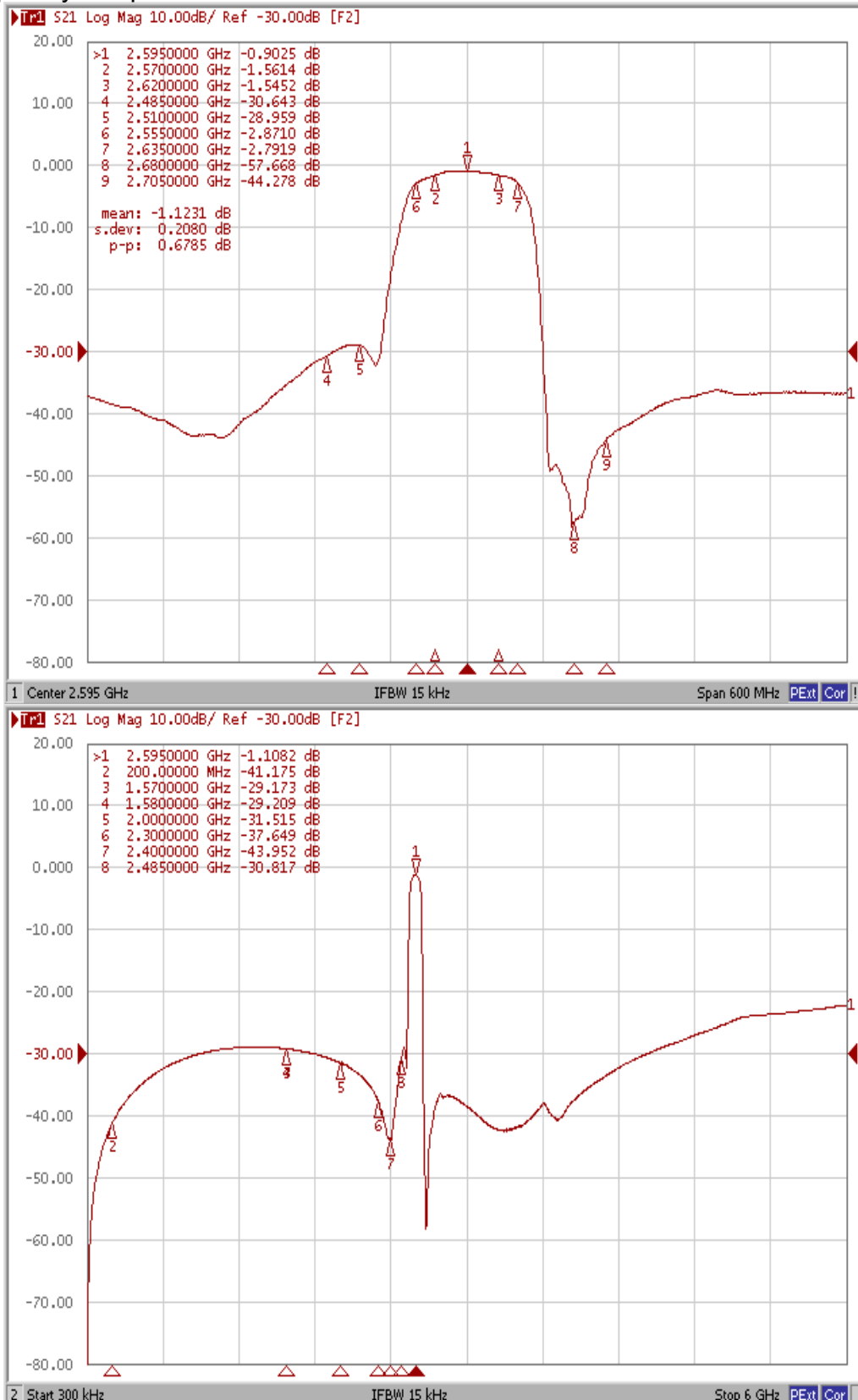


SAW Filter 2595.0MHz
Part No: MP07860

Model: TA1968A
Rev No: 1

F. FREQUENCY CHARACTERISTICS:

1. Frequency Response

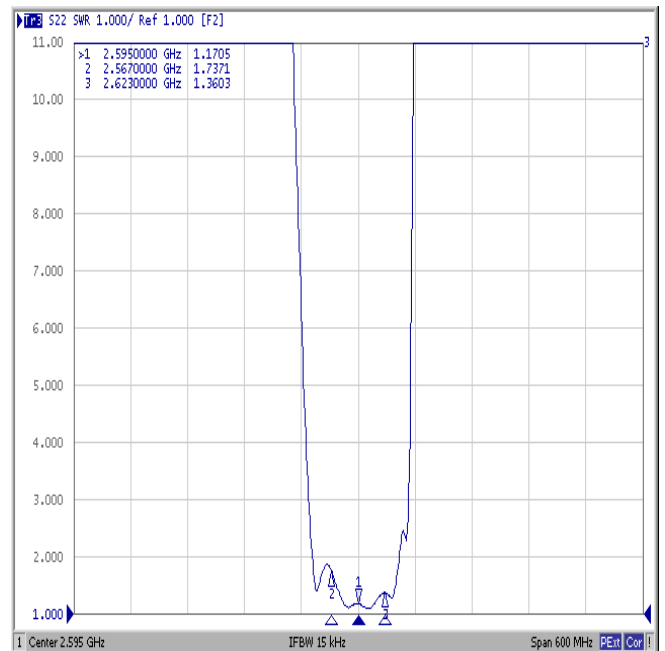
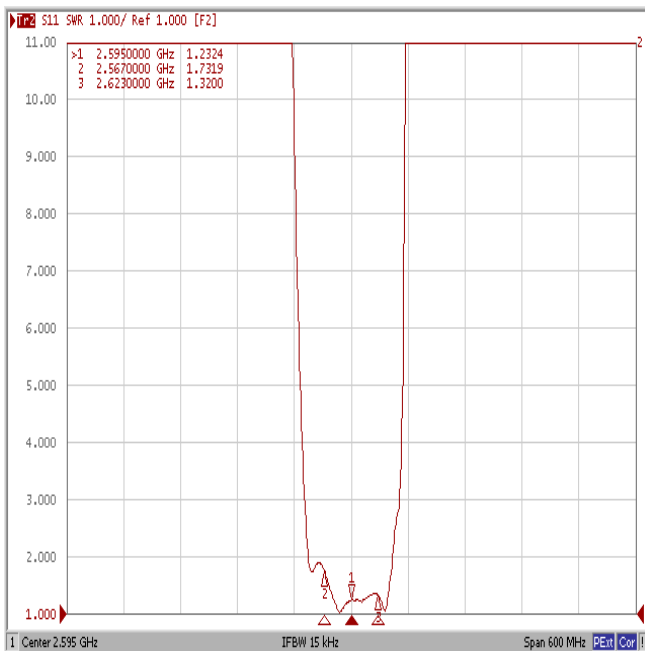


SAW Filter 2595.0MHz
Part No: MP07860

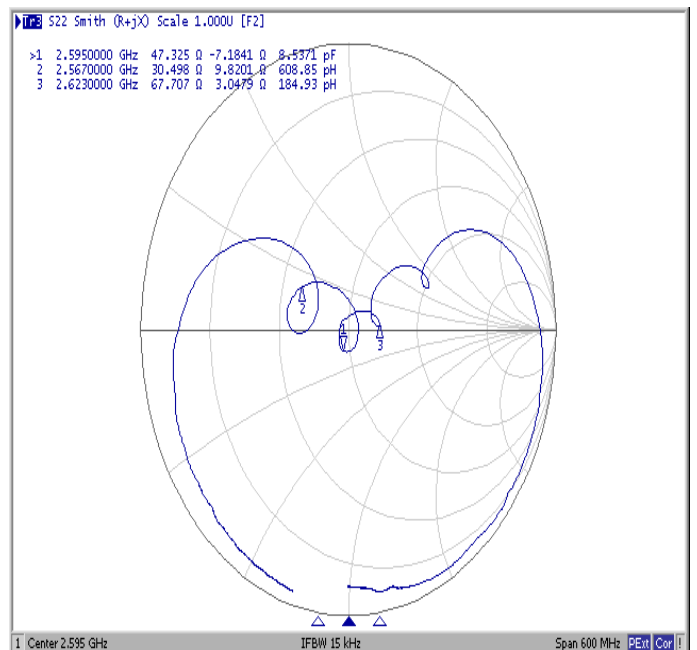
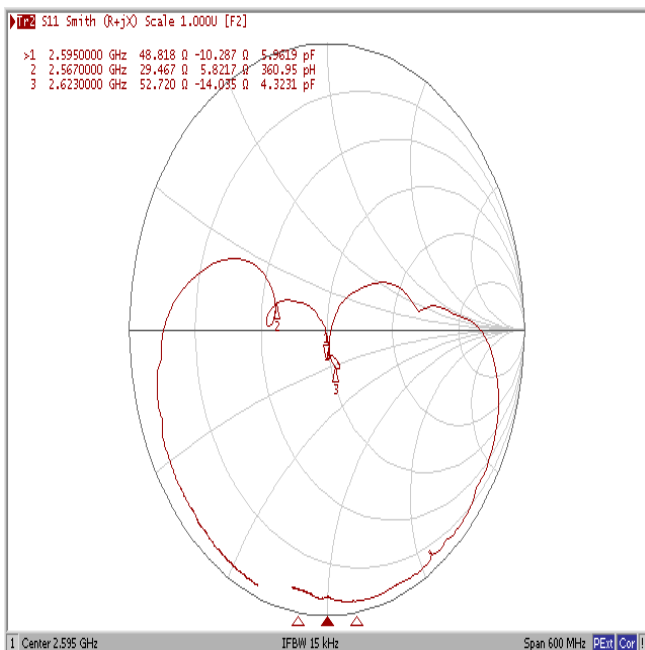
Model: TA1968A
Rev No: 1

2. Reflection Functions

VSWR



Smith Chart

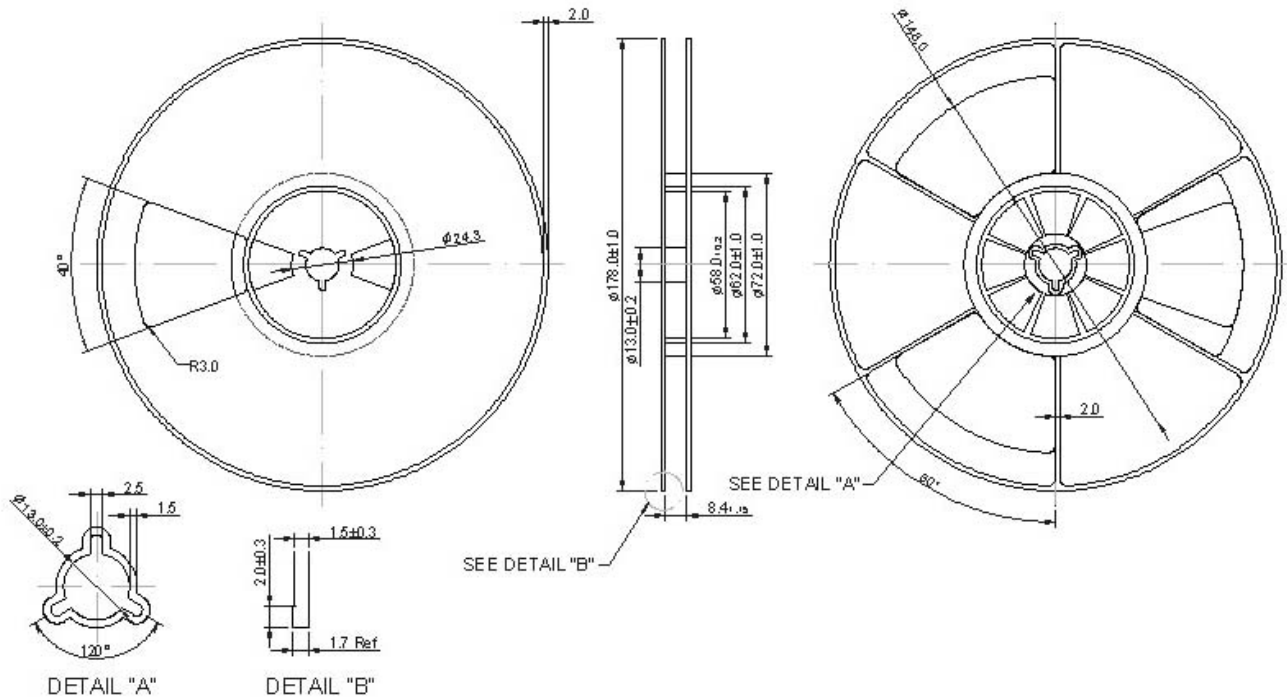


SAW Filter 2595.0MHz
Part No: MP07860

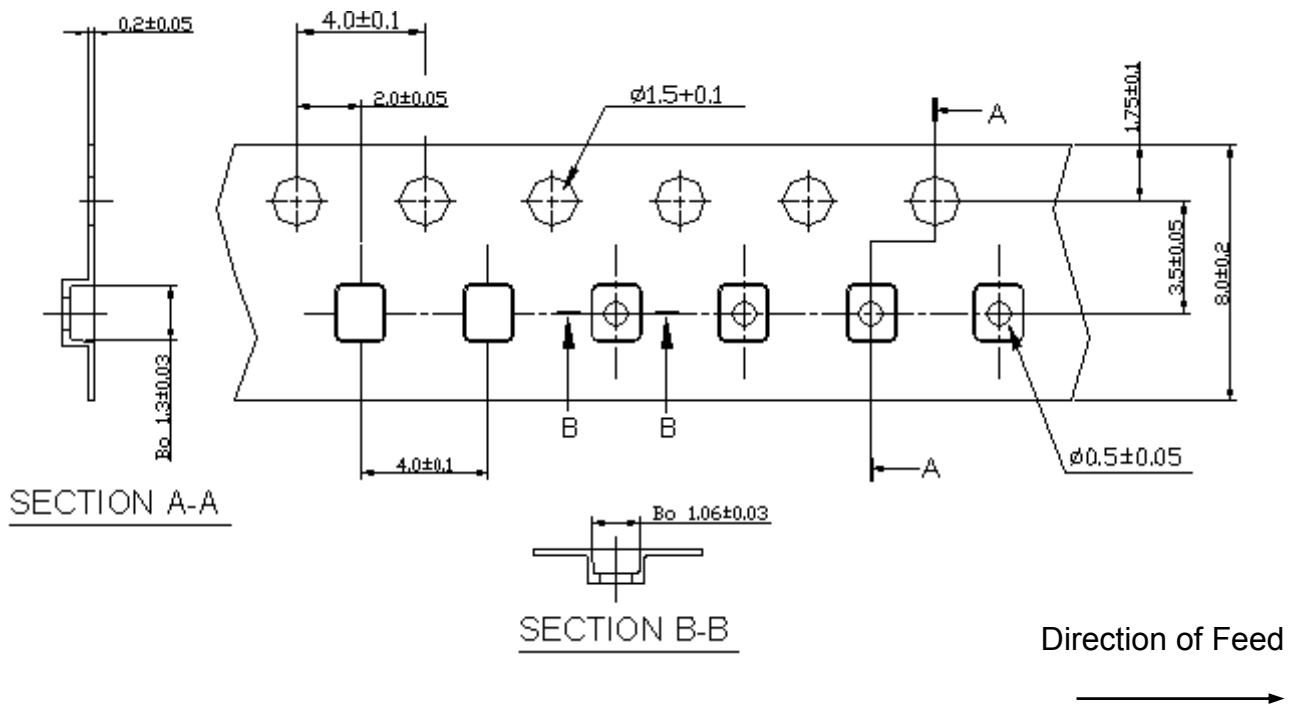
Model: TA1968A
Rev No: 1

G. PACKING:

1. Reel Dimension (Reel Count: 7" = 3000)



2. Tape Dimension



SAW Filter 2595.0MHz
Part No: MP07860

Model: TA1968A
Rev No: 1

H. RECOMMENDED REFLOW PROFILE:

1. Preheating shall be fixed at 150 ~ 180°C for 60 ~ 90 seconds.
2. Ascending time to preheating temperature 150°C shall be 30 seconds min.
3. Heating shall be fixed at 220°C for 50 ~ 80 seconds and at 245 ~ 260°C peak (min. 10 sec).
4. Time: 2 times.

