

**SAW Filter 836.50MHz**  
**Part No: MP07844**

**Model: TA1692A**  
**Rev No: 2**

**A. MAXIMUM RATING:**

Electrostatic Sensitive Device (ESD)

1. Maximum Input Power: 29dBm
2. DC voltage: 0V
3. Operating Temperature: -30°C to +85°C
4. Storage Temperature: -40°C to +85°C

**B. ELECTRICAL CHARACTERISTICS:**

1. Terminating source impedance:  $Z_S = 50\Omega$  (Single)
2. Terminating load impedance:  $Z_L = 50\Omega$  (Single)

Parameters Description	Unit	Min.	Typ.	Max.
Center Frequency (Fc)	MHz	-	836.5	-
Insertion Loss within 824.0 ~ 849.0MHz	dB	-	1.9	2.3
Amplitude Ripple within 824.0 ~ 849.0MHz	dB p-p	-	0.8	1.3
VSWR within 824.0 ~ 849.0MHz		-	2.0	2.3
Attenuation:				
DC ~ 750.0MHz	dB	35	41	-
750.0 ~ 800.0MHz	dB	28	34	-
869.0 ~ 894.0MHz	dB	40	45	-
894.0 ~ 1050.0MHz	dB	38	42	-
1050.0 ~ 1210.0MHz	dB	35	40	-
1210.0 ~ 1580.0MHz	dB	30	35	-
1580.0 ~ 2000.0MHz	dB	28	32	-
2000.0 ~ 3000.0MHz	dB	23	27	-
3000.0 ~ 6000.0MHz	dB	12	18	-

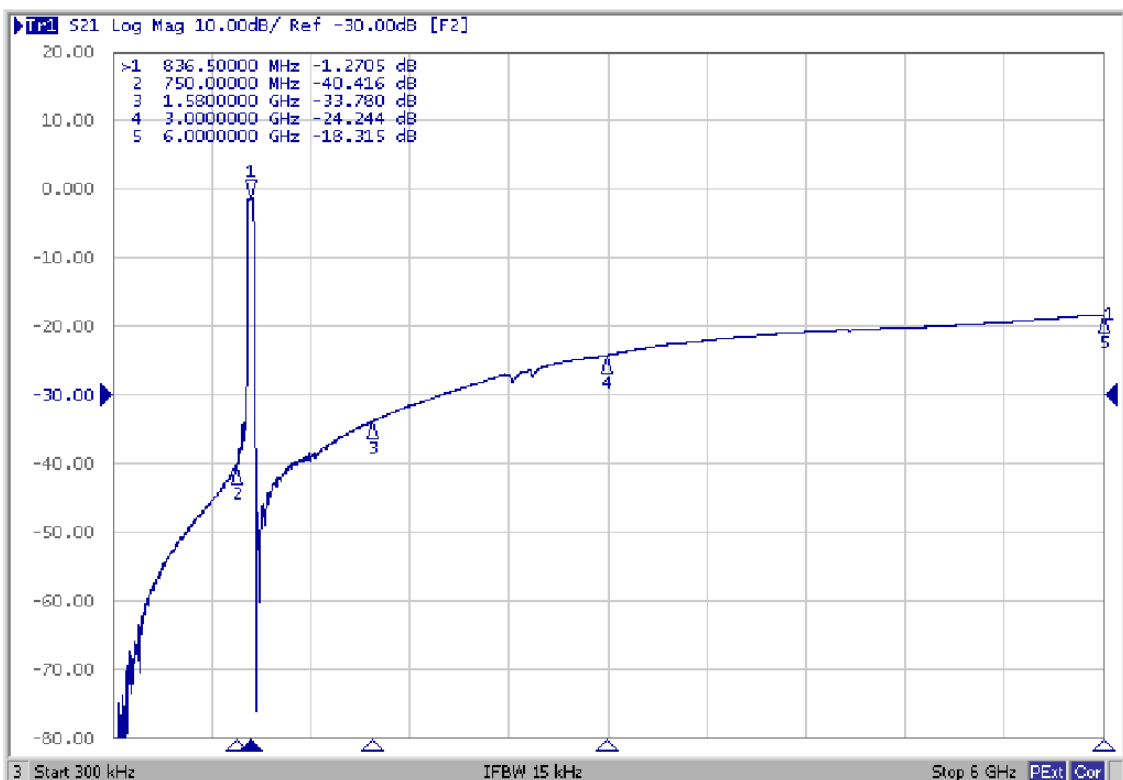
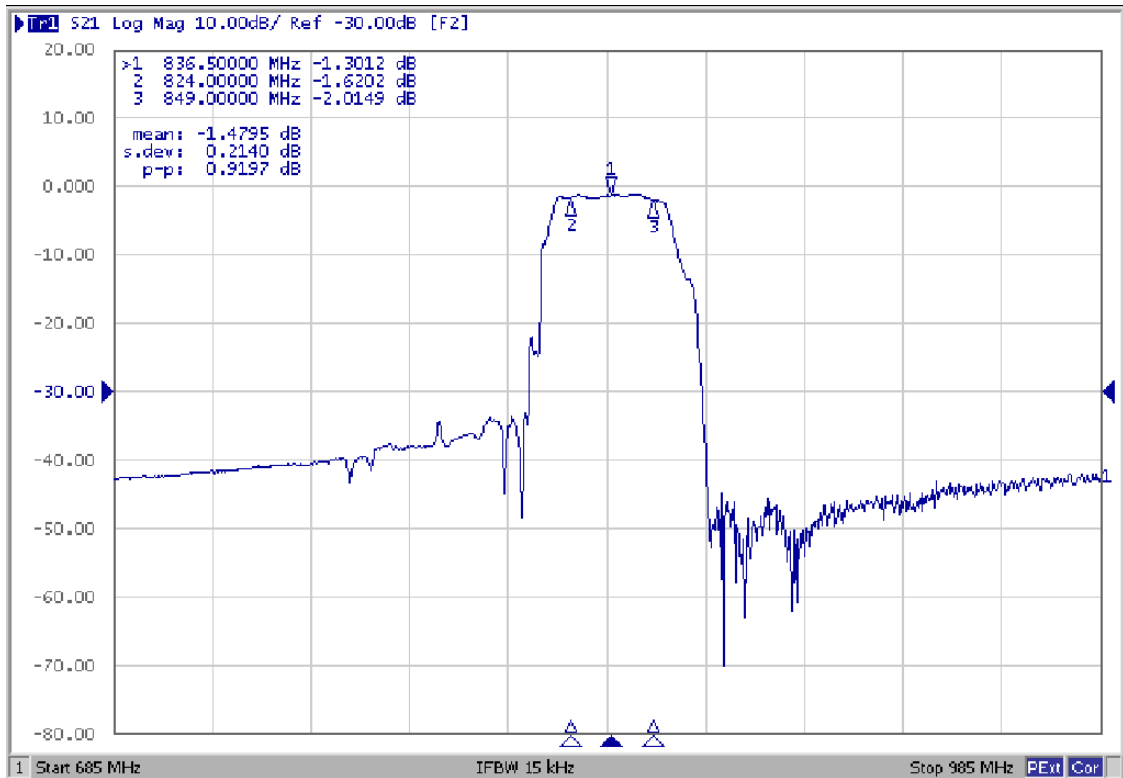
Note: No Matching Network

**SAW Filter 836.50MHz**  
**Part No: MP07844**

**Model: TA1692A**  
**Rev No: 2**

**C. FREQUENCY CHARACTERISTICS:**

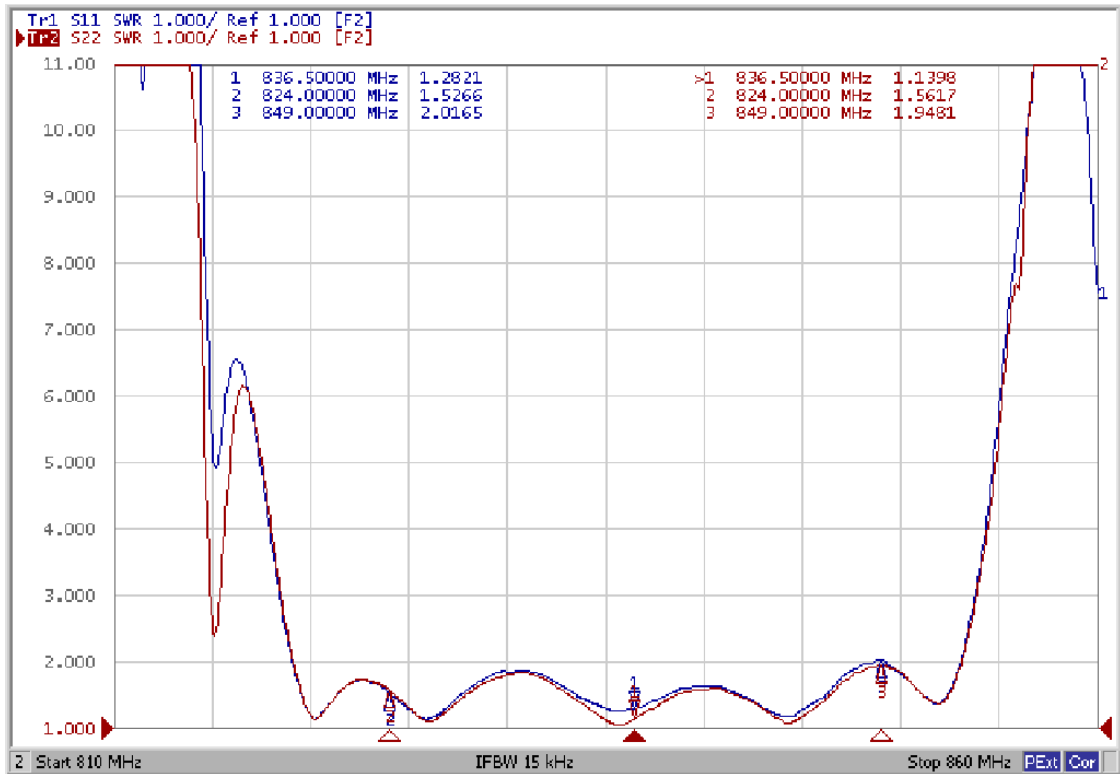
1. Frequency Response



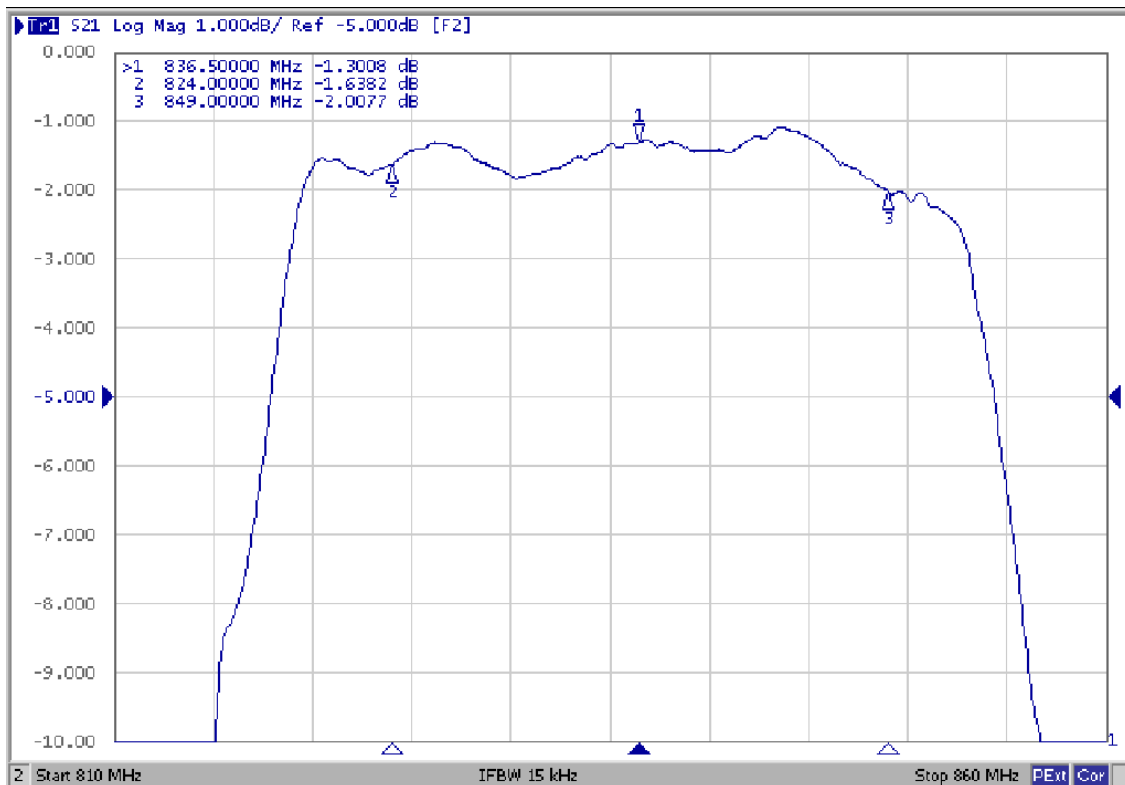
**SAW Filter 836.50MHz**  
**Part No: MP07844**

**Model: TA1692A**  
**Rev No: 2**

### 2. VSWR



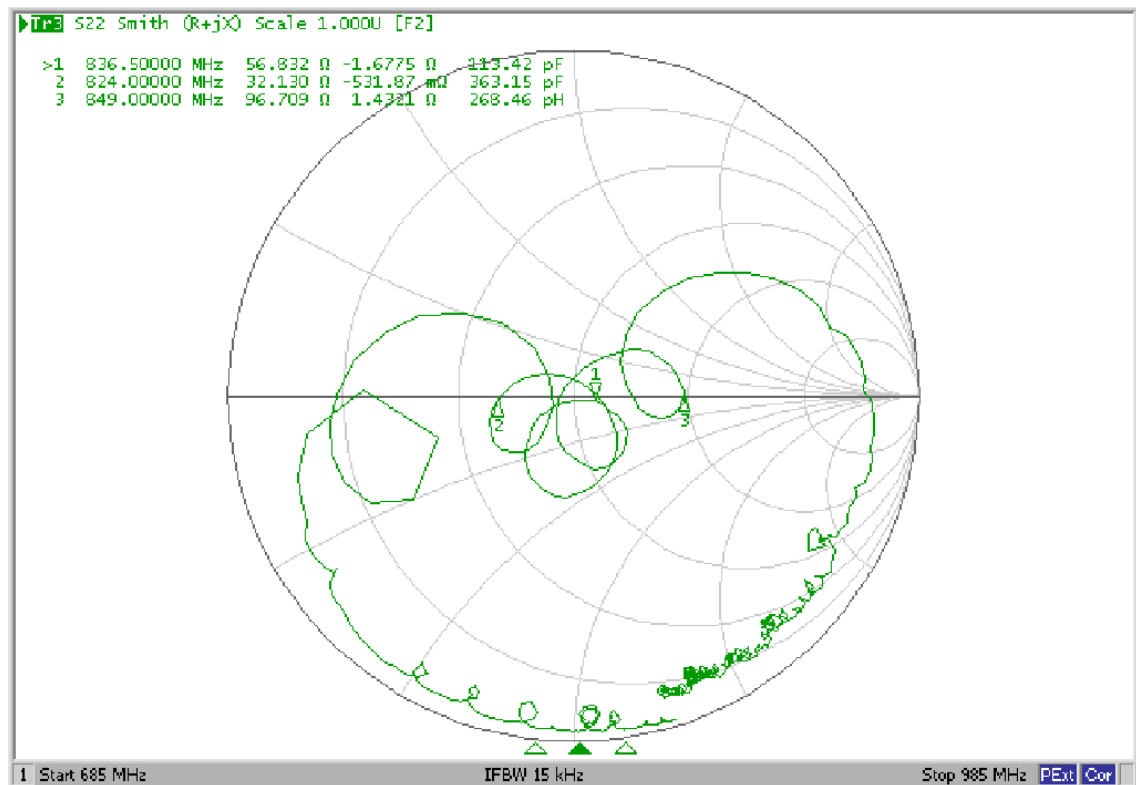
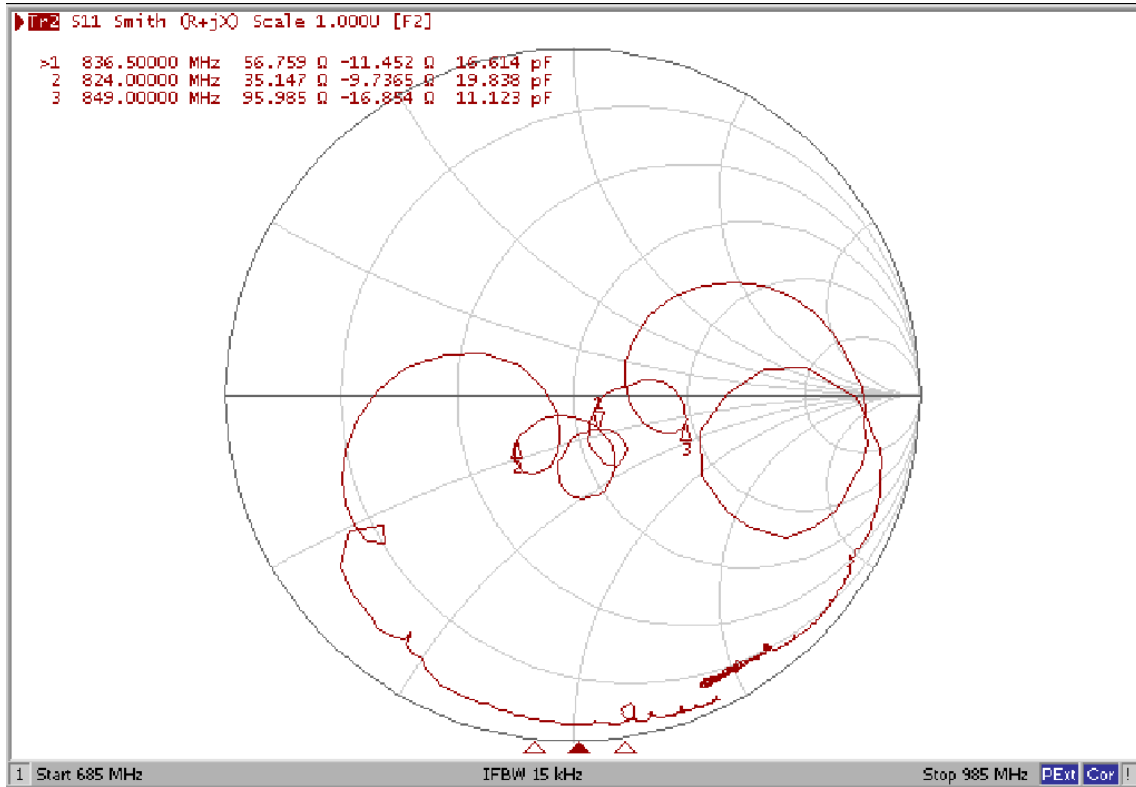
### 3. Ripple



**SAW Filter 836.50MHz**  
**Part No: MP07844**

**Model: TA1692A**  
**Rev No: 2**

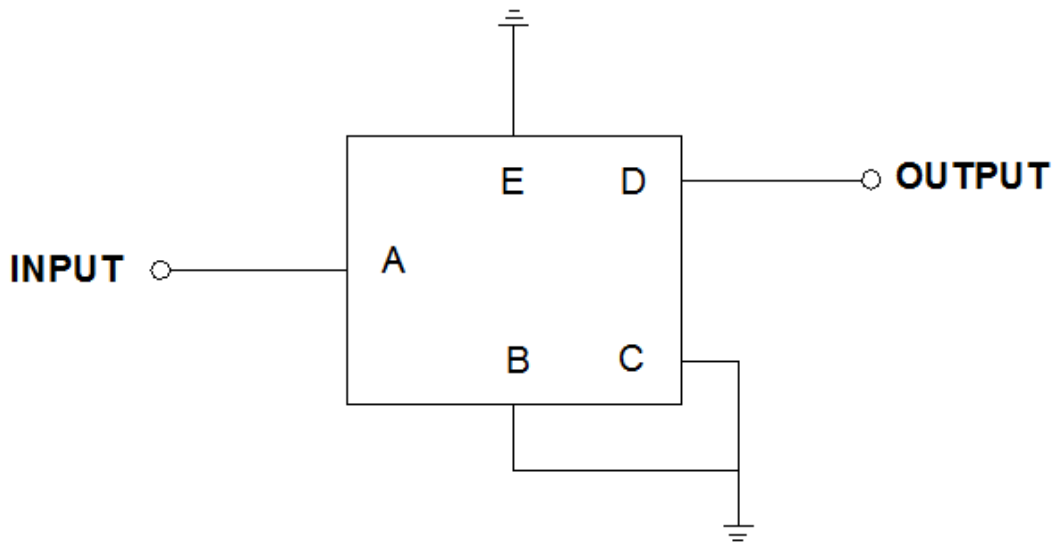
#### 4. Smith Chart



**SAW Filter 836.50MHz**  
**Part No: MP07844**

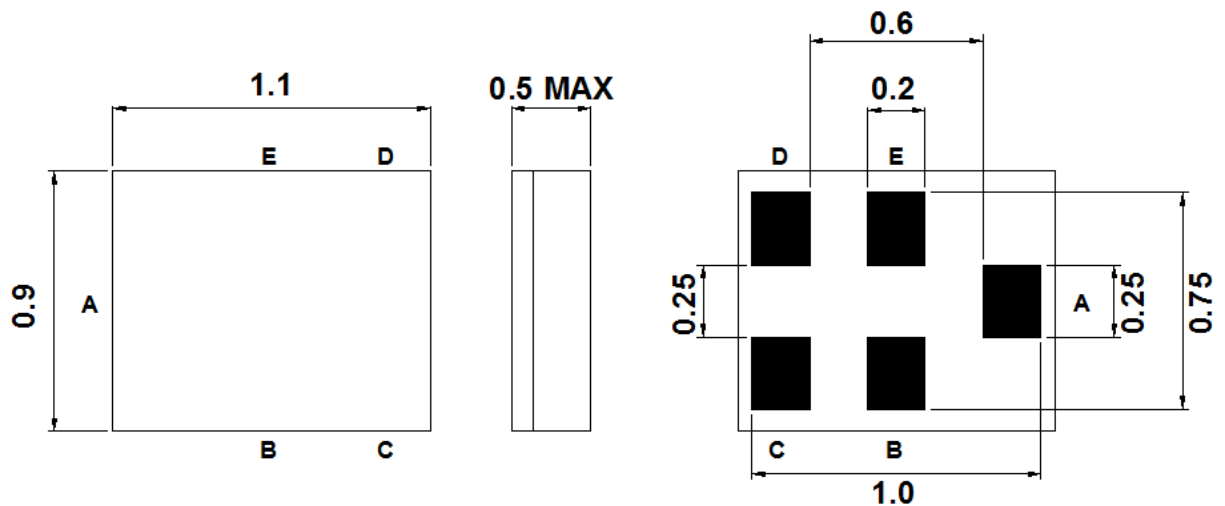
**Model: TA1692A**  
**Rev No: 2**

**D. MEASUREMENT CIRCUIT:**



Source & Load Impedance: 50Ω

**E. OUTLINE DRAWING:**



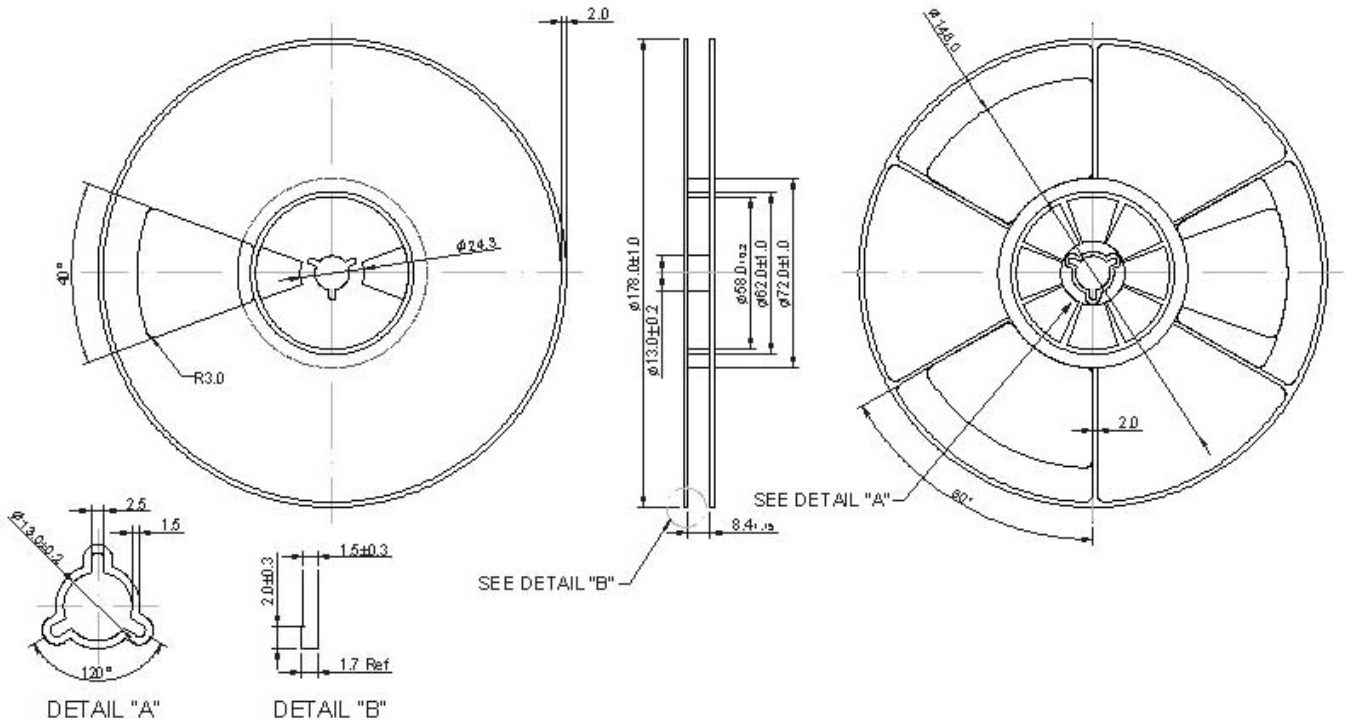
B, C, E: Ground  
A: Input  
D: Output

**SAW Filter 836.50MHz**  
**Part No: MP07844**

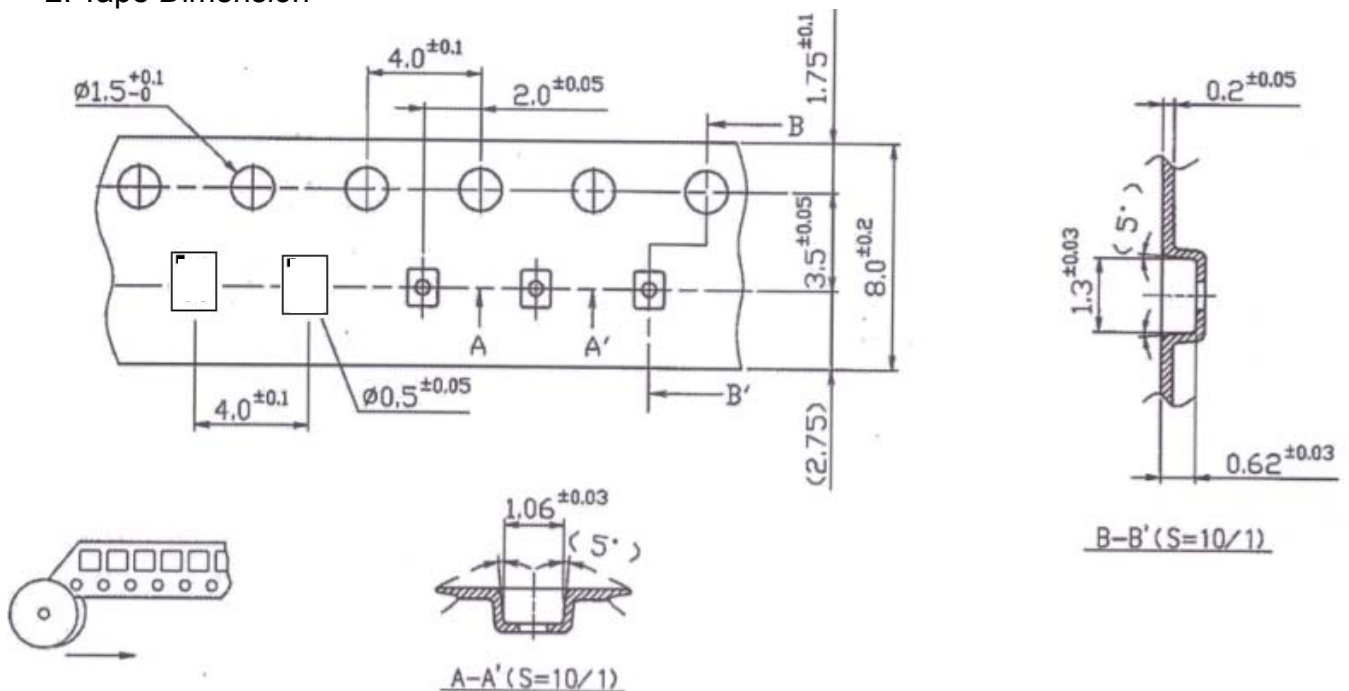
**Model: TA1692A**  
**Rev No: 2**

**F. PACKING:**

1. Reel Dimension (Please refer to FR-75D10 for packing quantity)



2. Tape Dimension



**SAW Filter 836.50MHz**  
**Part No: MP07844**

**Model: TA1692A**  
**Rev No: 2**

**G. RECOMMENDED REFLOW PROFILE:**

