

SAW Filter 881.50MHz
Part No: MP07843

Model: TA1690A
Rev No: 1

A. MAXIMUM RATING:

1. Maximum Input Power: 29dBm
2. DC voltage: 0V
3. Operating Temperature: -30°C to +85°C
4. Storage Temperature: -40°C to +85°C

B. ELECTRICAL CHARACTERISTICS:

Parameters Description (Band 1)	Unit	Min.	Typ.	Max.
Center Frequency (Fc)	MHz	-	881.5	-
Insertion Loss within 869.0 ~ 894.0MHz	dB	-	1.5	2.0
Amplitude Ripple within 869.0 ~ 894.0MHz	dBp-p	-	0.5	1.0
VSWR within 869.0 ~ 894.0MHz	-	-	1.6	2.0
Amplitude balance within 869.0 ~ 894.0MHz	dB	-1.0	-0.1 ~ +0.2	+1.0
Phase balance within 869.0 ~ 894.0MHz	deg	-10	-0.2 ~ +3.5	+10
Attenuation:				
DC ~ 824.0MHz	dB	50	65	-
824.0 ~ 849.0MHz	dB	50	56	-
914.0 ~ 960.0MHz	dB	25	35	-
960.0 ~ 2000.0MHz	dB	40	50	-
2000.0 ~ 6000.0MHz	dB	30	43	-

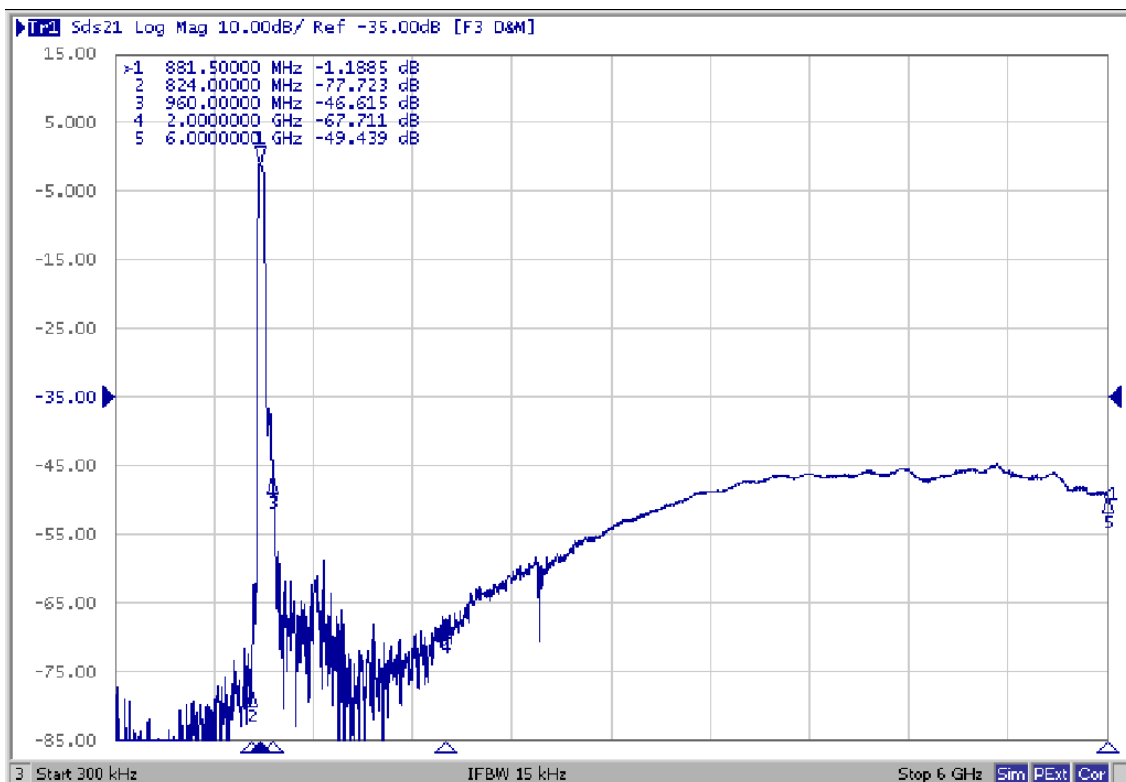
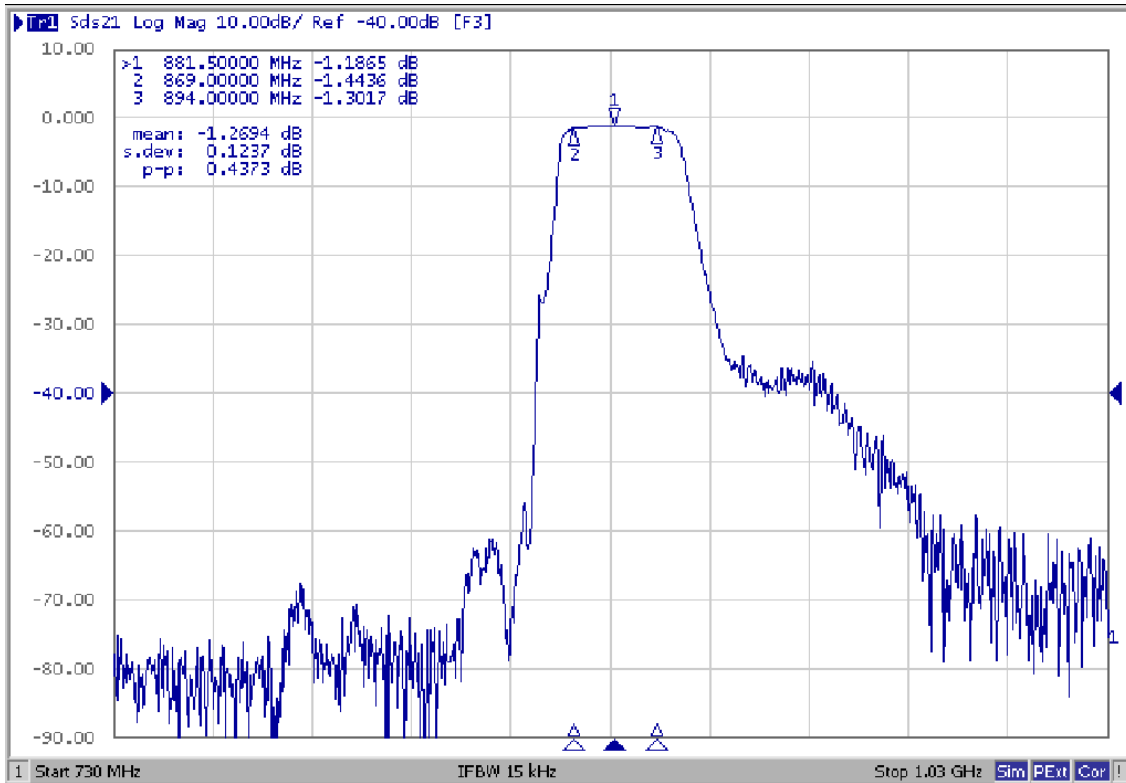
Note: No Matching Network

SAW Filter 881.50MHz
Part No: MP07843

Model: TA1690A
Rev No: 1

C. FREQUENCY CHARACTERISTICS:

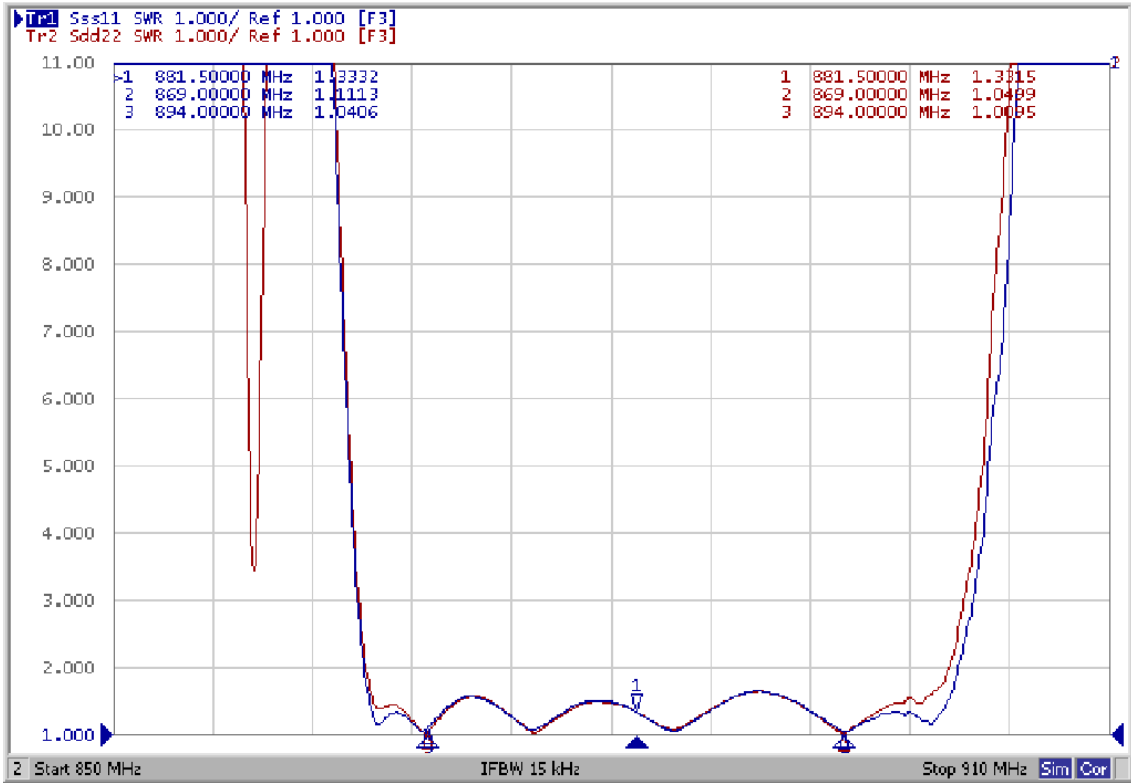
1. Frequency Response



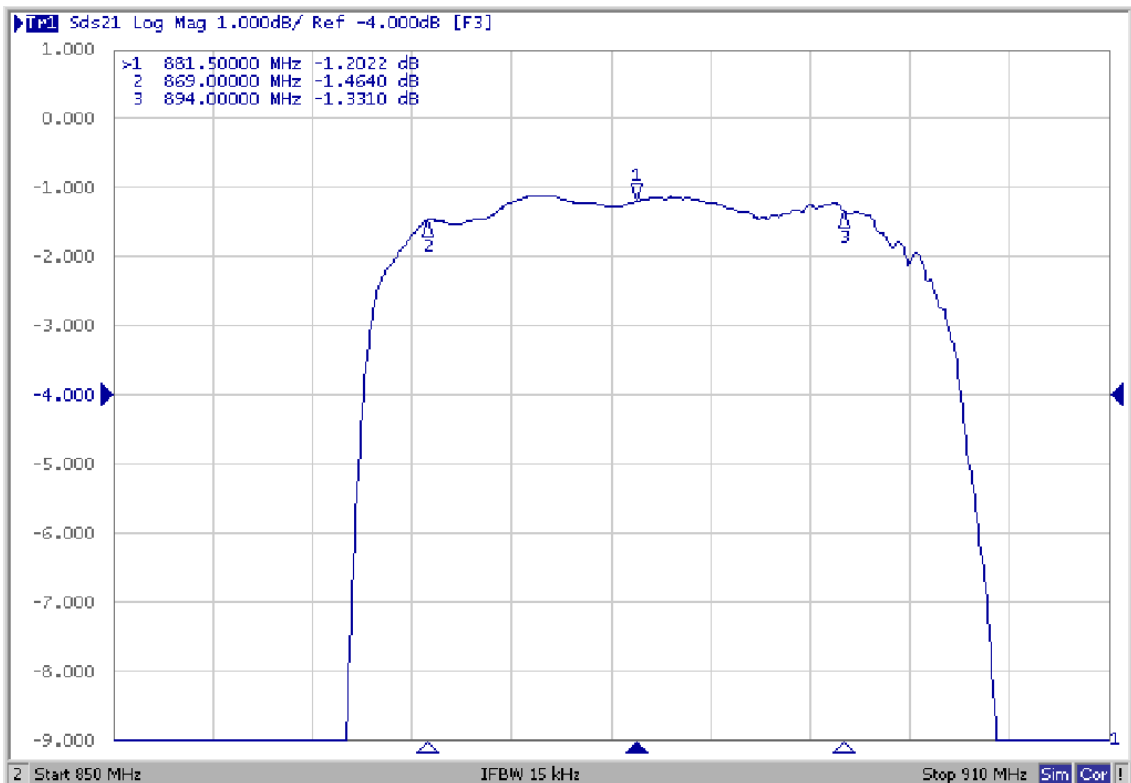
SAW Filter 881.50MHz
Part No: MP07843

Model: TA1690A
Rev No: 1

2. VSWR



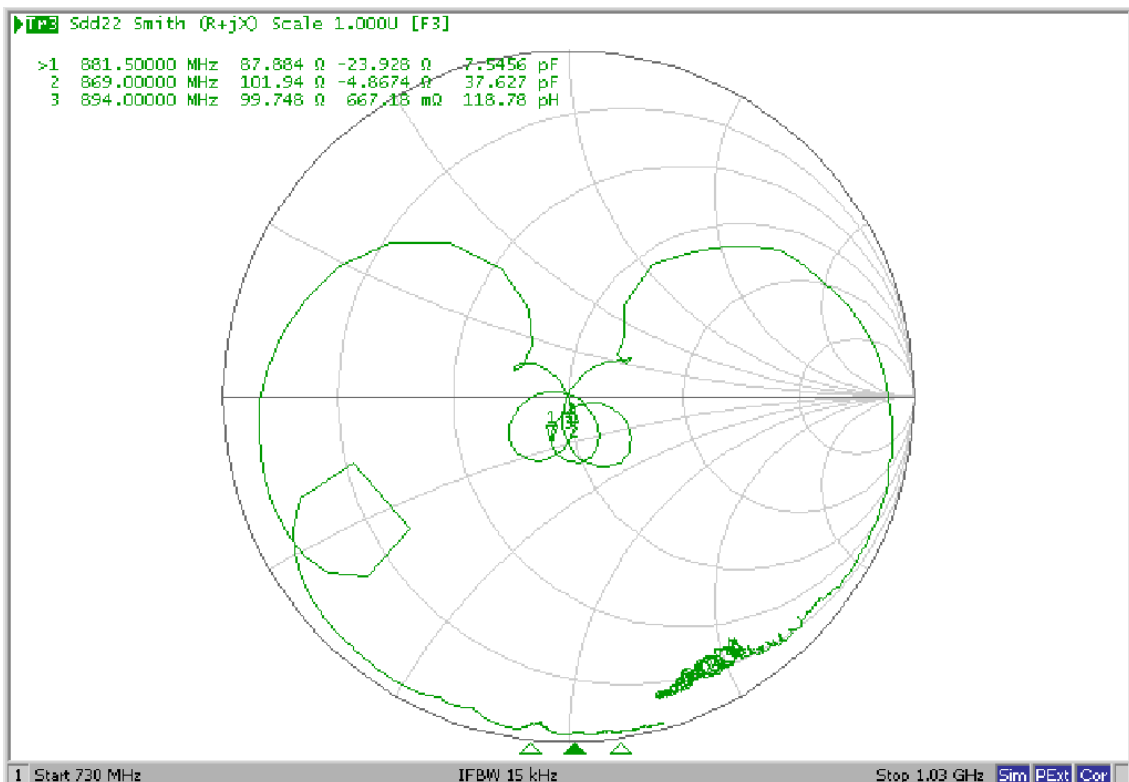
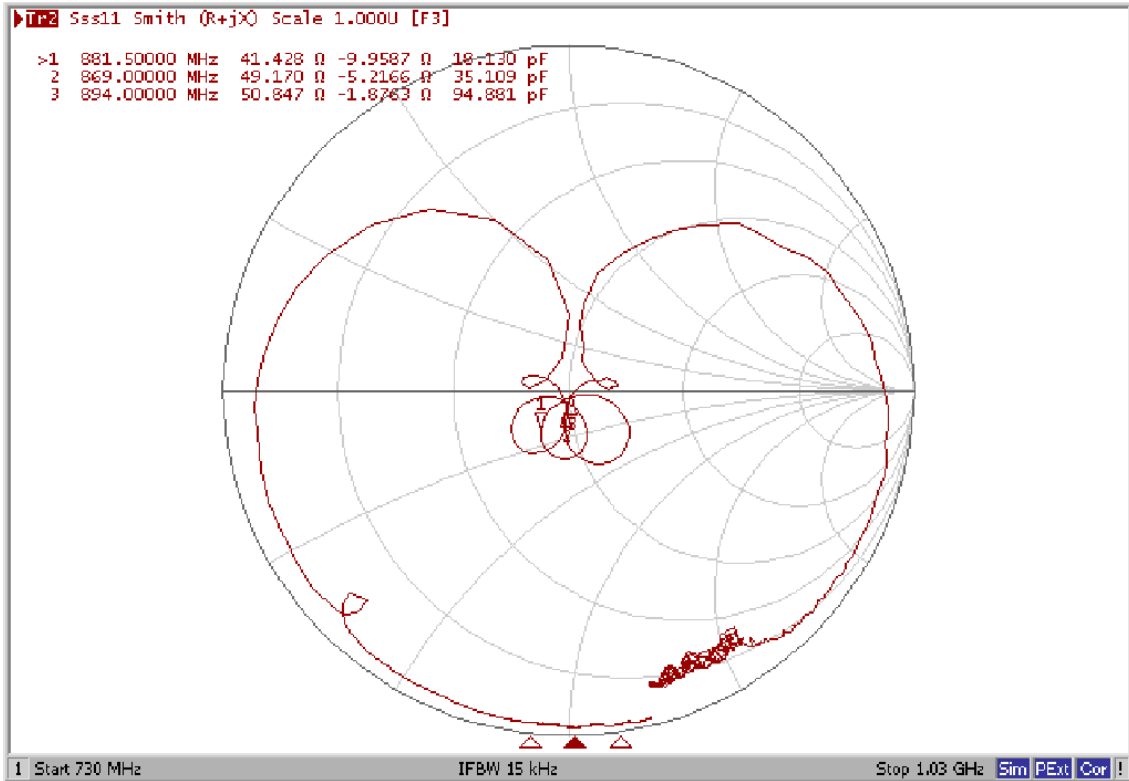
3. Ripple



SAW Filter 881.50MHz
Part No: MP07843

Model: TA1690A
Rev No: 1

4. Smith Chart



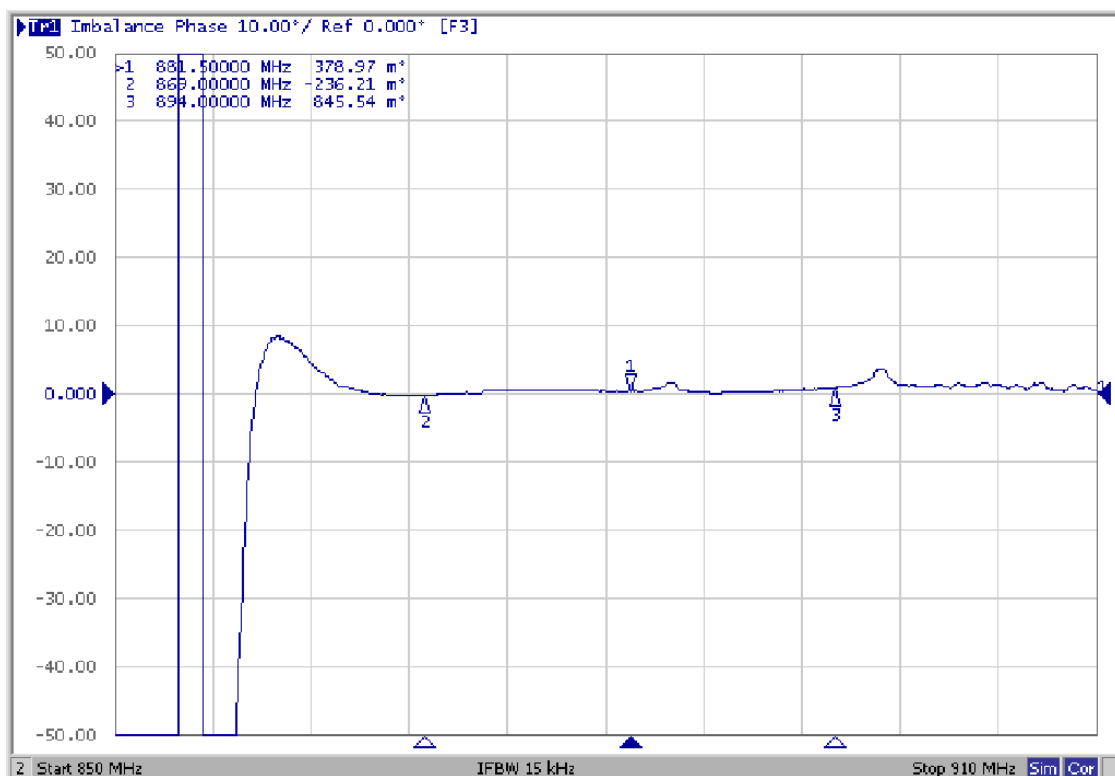
SAW Filter 881.50MHz
Part No: MP07843

Model: TA1690A
Rev No: 1

5. Amplitude balance



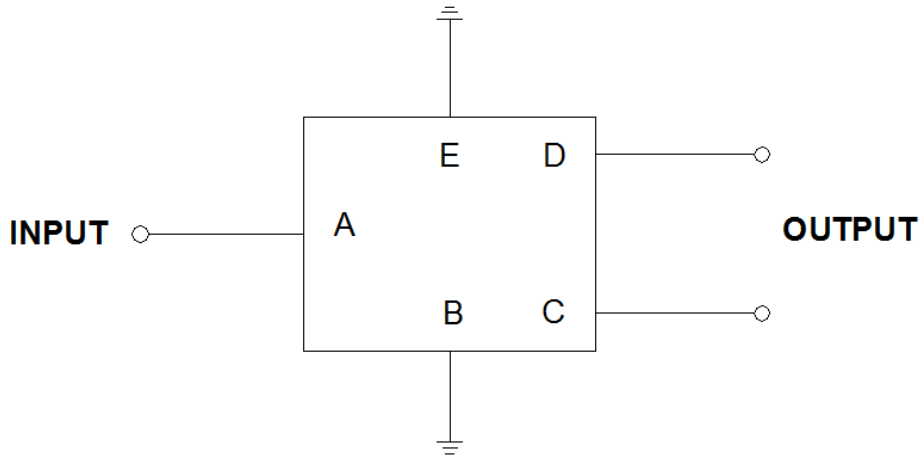
6. Phase balance



SAW Filter 881.50MHz
Part No: MP07843

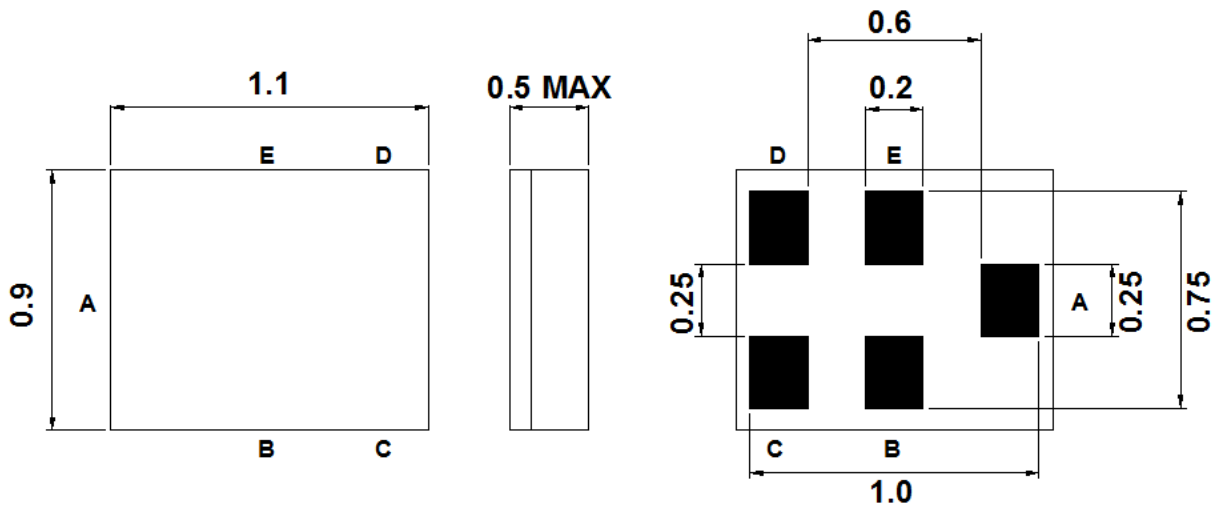
Model: TA1690A
Rev No: 1

D. MEASUREMENT CIRCUIT:



Source Impedance: 50Ω
Load Impedance: 100Ω

E. OUTLINE DRAWING:



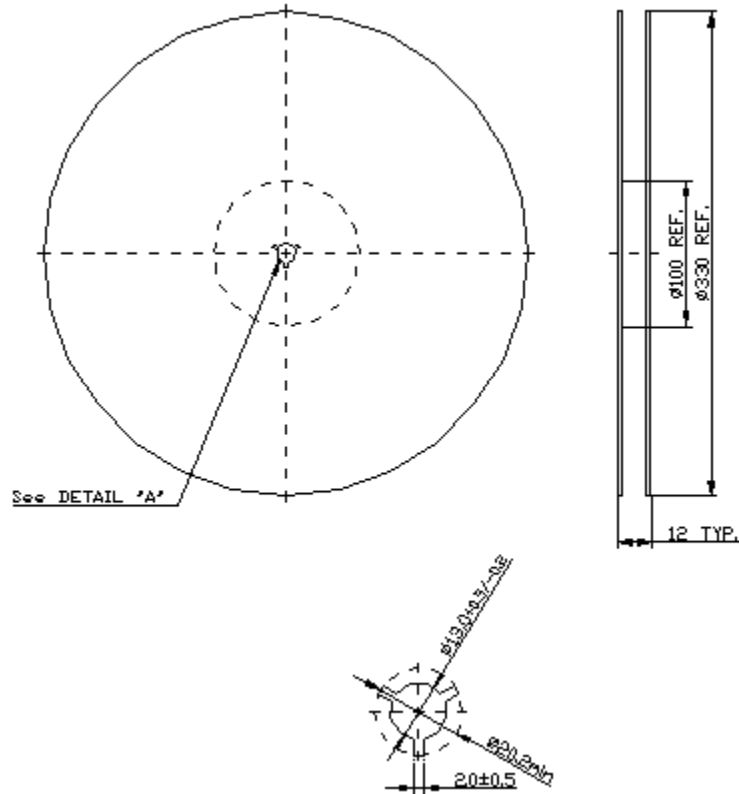
B, E: Ground
A: Input
C, D: Balanced Output

SAW Filter 881.50MHz
Part No: MP07843

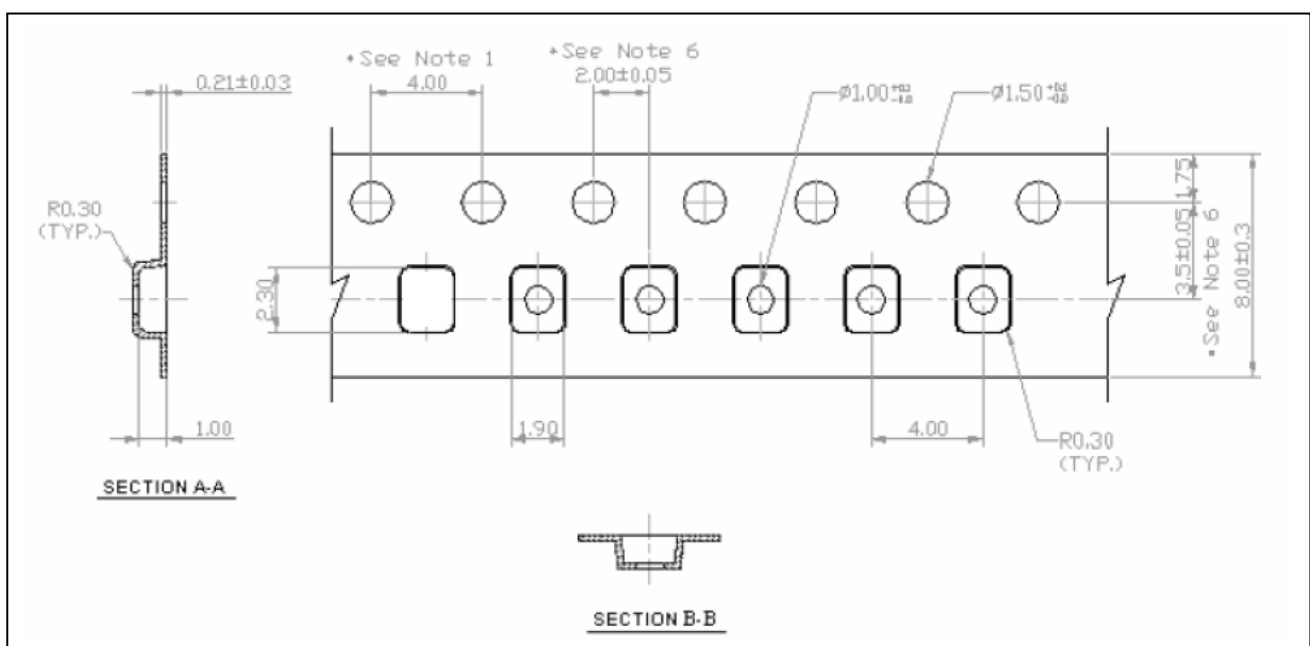
Model: TA1690A
Rev No: 1

F. PACKING:

1. Reel Dimension (Please refer to FR-75D10 for packing quantity)



2. Tape Dimension



SAW Filter 881.50MHz
Part No: MP07843

Model: TA1690A
Rev No: 1

G. RECOMMENDED REFLOW PROFILE:

