

SAW Filter 262.0MHz
Part No: MP07594

Model: TA1345B
Rev No: 1

A. MAXIMUM RATING:

Electrostatic Sensitive Device (ESD)

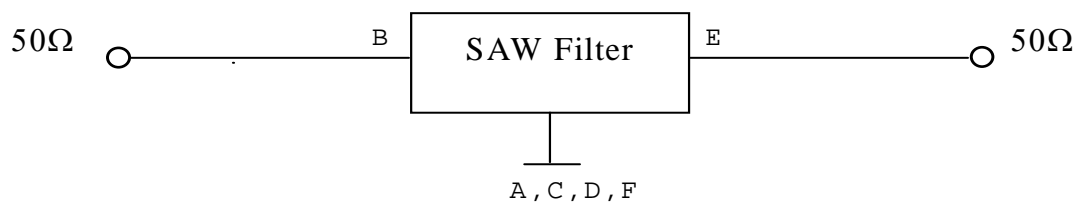
1. Input Power Level: 10dBm
2. DC voltage: 3V
3. Operating Temperature: -40°C to +85°C
4. Storage Temperature: -40°C to +85°C

B. ELECTRICAL CHARACTERISTICS:

Item	Unit	Min.	Typ.	Max.
Center frequency F_c	MHz	-	262	-
Insertion loss IL (260 ~ 264MHz)	dB	-	1.8	3
Amplitude ripple (260 ~ 264MHz)	dB	-	0.7	2
Attenuation (Reference level from 0dB)				
$F_c -100 \sim F_c -40$ MHz	dB	40	47	-
$F_c -40 \sim F_c -11$ MHz	dB	30	42	-
$F_c +11 \sim F_c +40$ MHz	dB	15	35	-
$F_c +40 \sim F_c +100$ MHz	dB	38	43	-
Source impedance Z_S	Ω	-	50	-
Load impedance Z_L	Ω	-	50	-

C. MEASUREMENT CIRCUIT:

HP Network analyzer

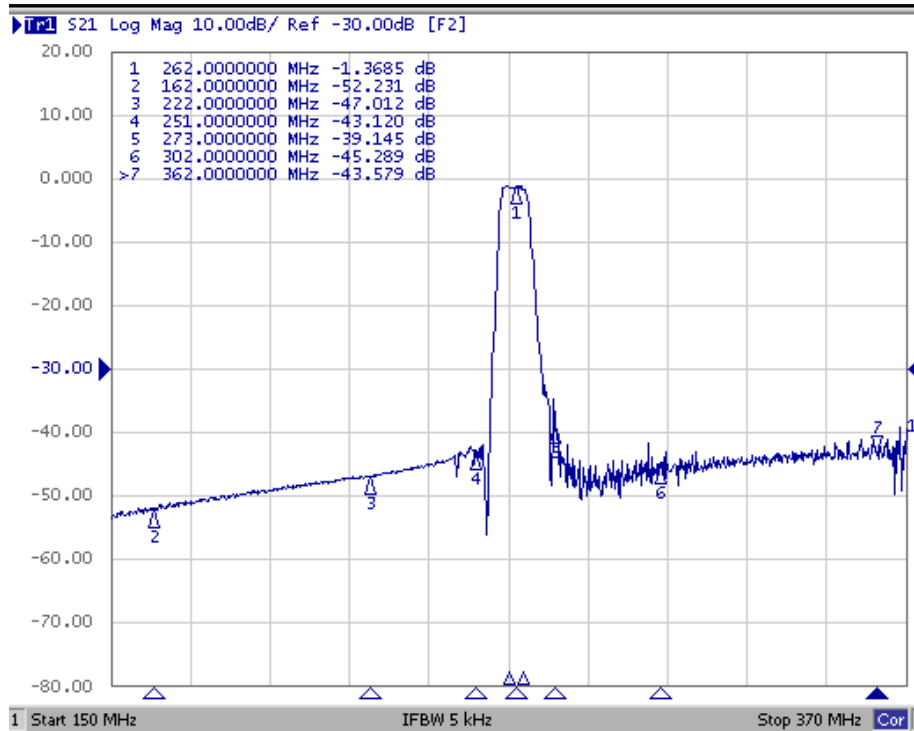


SAW Filter 262.0MHz
Part No: MP07594

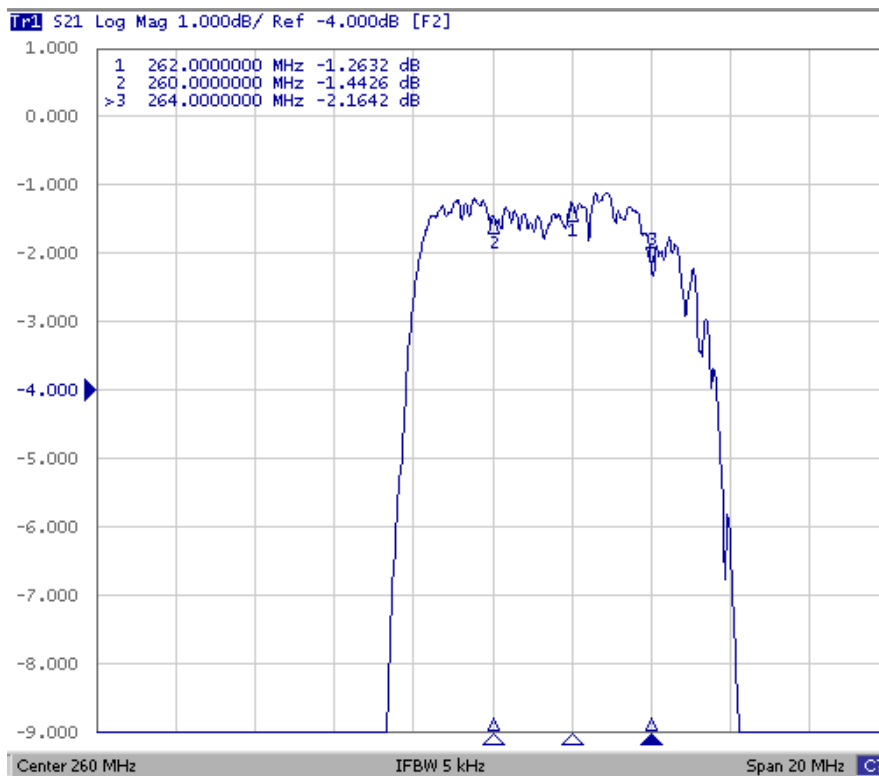
Model: TA1345B
Rev No: 1

D. FREQUENCY CHARACTERISTICS:

1. Wideband response (span: 150 ~ 370MHz)



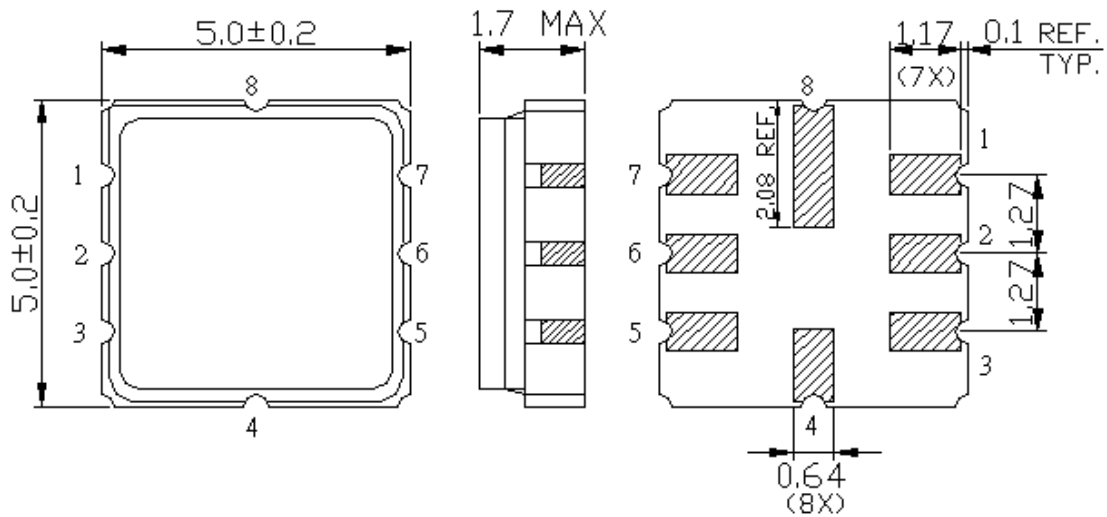
2. Narrow-band response (span 20MHz)



SAW Filter 262.0MHz
Part No: MP07594

Model: TA1345B
Rev No: 1

E. OUTLINE DRAWING:



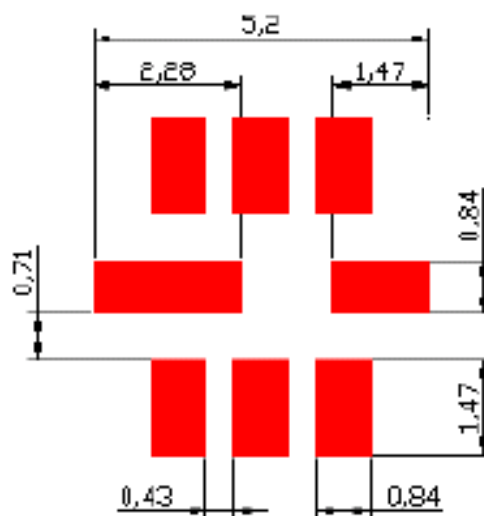
2: Input

6: Output

1, 3, 4, 5, 7, 8: Ground

Unit: mm

F. PCB FOOTPRINT:

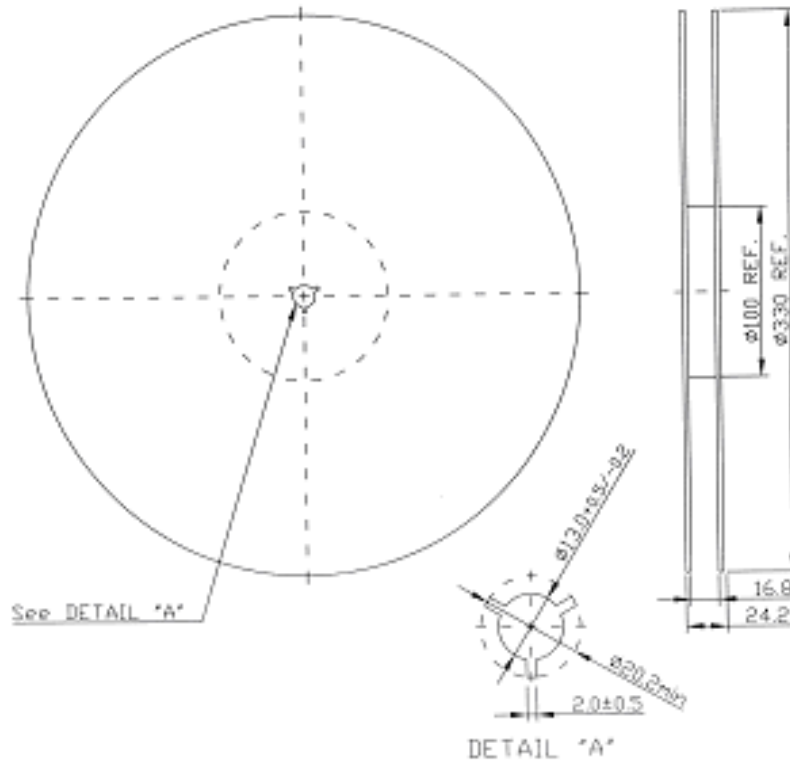


SAW Filter 262.0MHz
Part No: MP07594

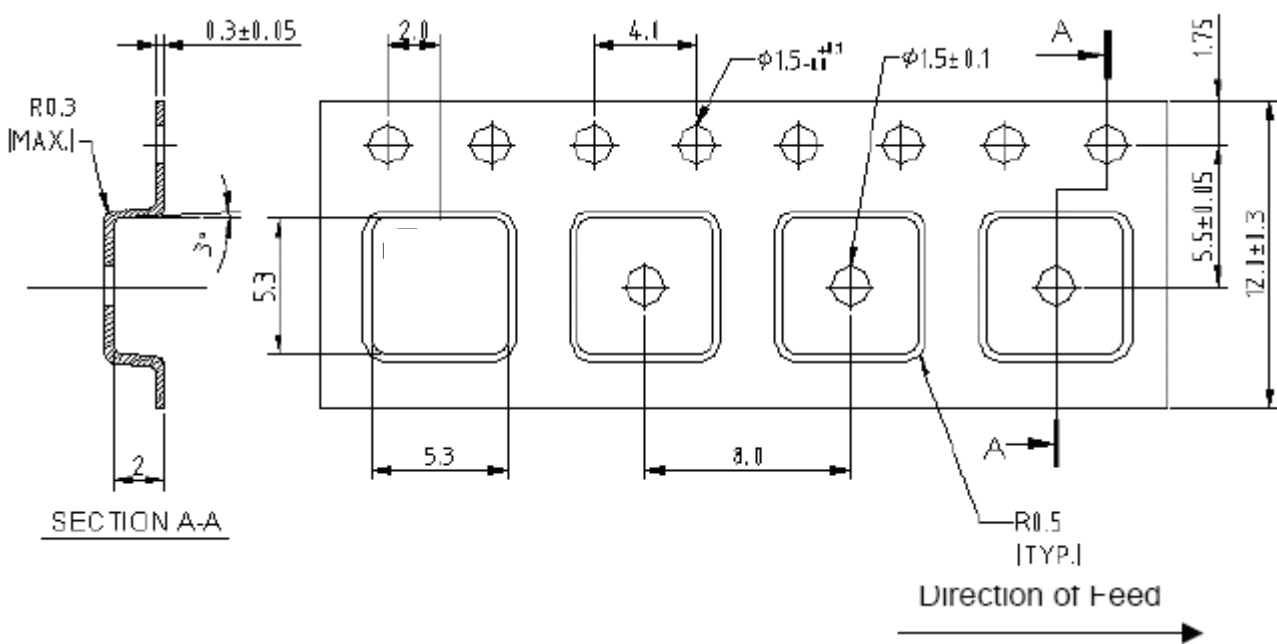
Model: TA1345B
Rev No: 1

G. PACKING:

1. Reel dimension (Please refer to FR-75D10 for packing quantity)



2. Tape dimension



SAW Filter 262.0MHz
Part No: MP07594

Model: TA1345B
Rev No: 1

H. RECOMMENDED REFLOW PROFILE:

1. Preheating shall be fixed at 150 ~ 180°C for 60 ~ 90 seconds.
2. Ascending time to preheating temperature 150°C shall be 30 seconds min.
3. Heating shall be fixed at 220°C for 50 ~ 80 seconds and at 245 ~ 260°C peak (min. 10 sec).
4. Time: 2 times.

