

SAW Filter 826.50MHz
Part No: MP06648

Model: TA1386A
Rev No: 1

A. MAXIMUM RATING:

Electrostatic Sensitive Device (ESD)

1. Input Power Level: +10dBm
2. DC Voltage: 5V
3. Operating Temperature: -20°C to +70°C
4. Storage Temperature: -40°C to +85°C

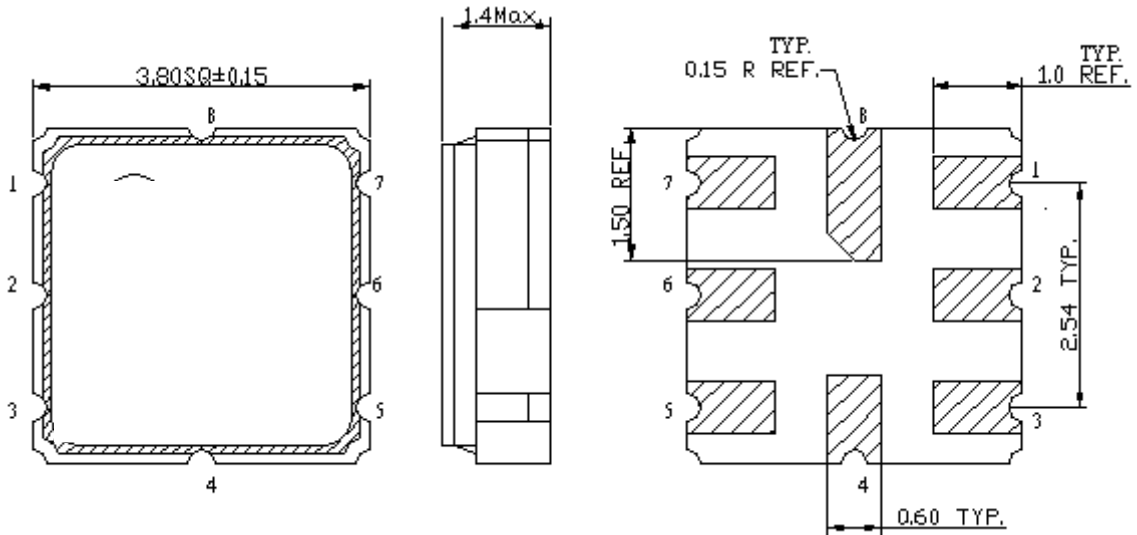
B. ELECTRICAL CHARACTERISTICS:

Item	Unit	Min.	Typ.	Max.	Note
Center Frequency Fc	MHz	-	826.5	-	-
Insertion Loss at Fc IL	dB	-	2.5	3.5	-
Amplitude Ripple (822 ~ 831MHz)	dB	-	0.4	2.2	-
VSWR (822 ~ 831MHz)		-	1.4	2.5	-
Attenuation (Reference level from 0dB)					
DC ~ 800MHz	dB	45	55	-	-
800 ~ 805MHz	dB	30	50	-	-
805 ~ 815MHz	dB	10	24	-	-
838 ~ 850MHz	dB	10	20	-	-
850 ~ 860MHz	dB	30	47	-	-
860 ~ 1000MHz	dB	45	60	-	-
Temperature Coefficient of Frequency	ppm/°C	-	-36	-	-

SAW Filter 826.50MHz
Part No: MP06648

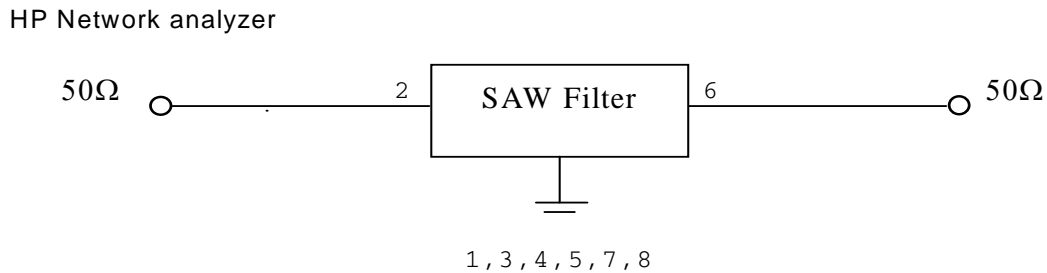
Model: TA1386A
Rev No: 1

C. OUTLINE DRAWING:

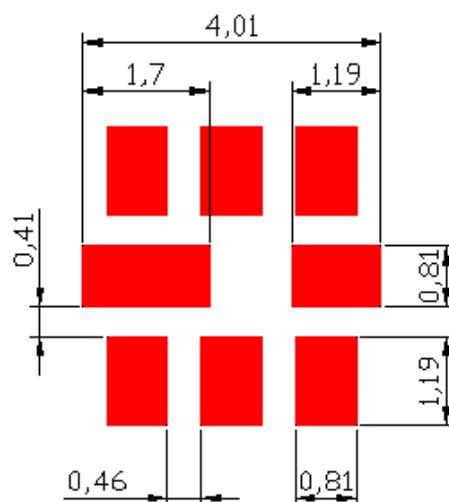


- 2: Input
 - 6: Output
 - 1, 3, 4, 5, 7, 8: Ground
- Unit: mm

D. MEASUREMENT CIRCUIT:



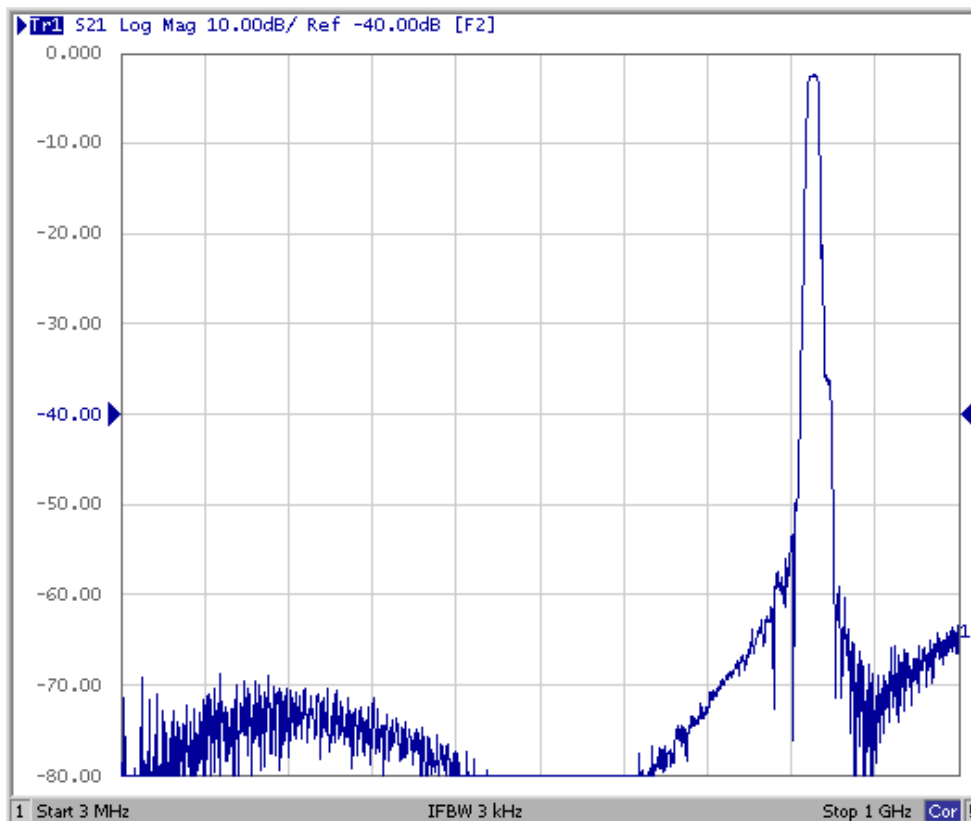
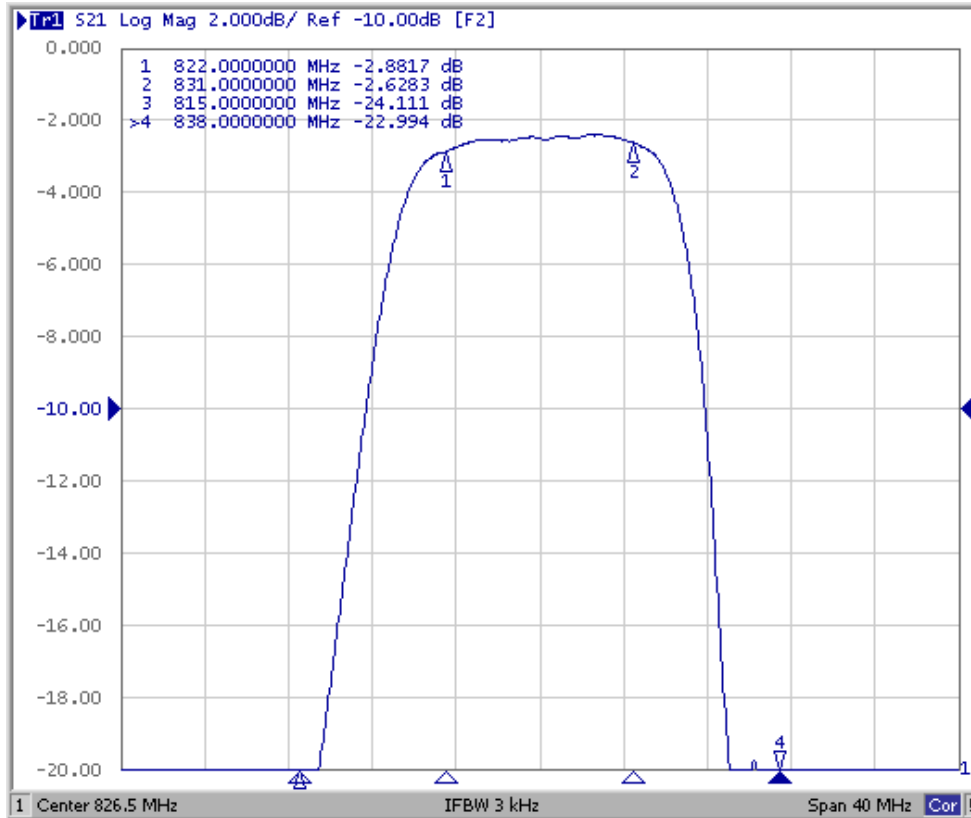
E. PCB FOOTPRINT:



SAW Filter 826.50MHz
Part No: MP06648

Model: TA1386A
Rev No: 1

F. FREQUENCY CHARACTERISTICS:

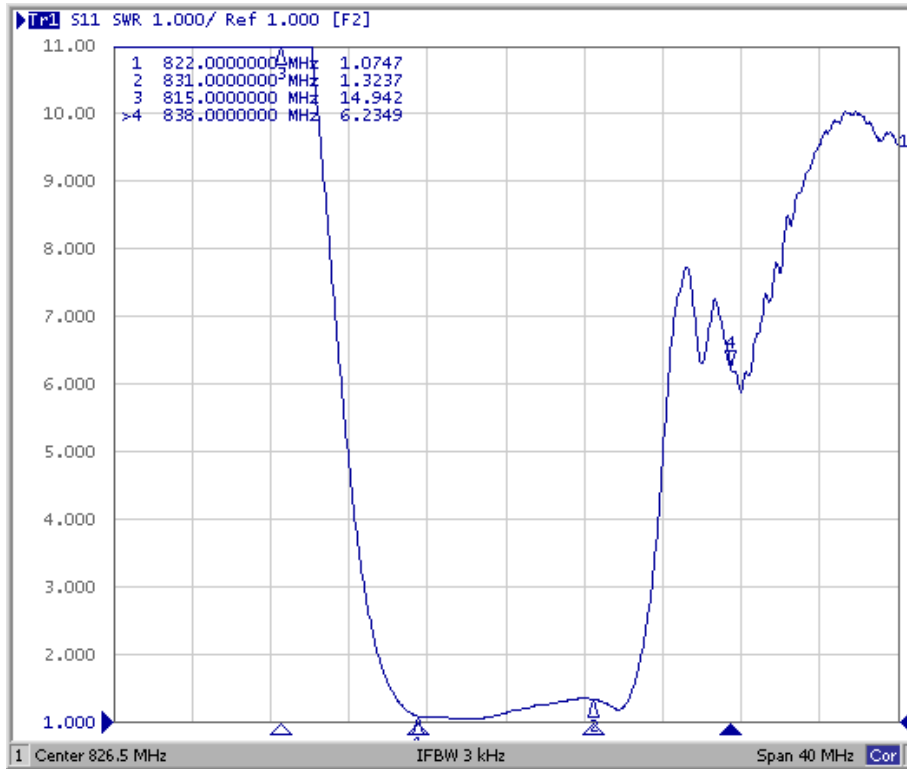


SAW Filter 826.50MHz
Part No: MP06648

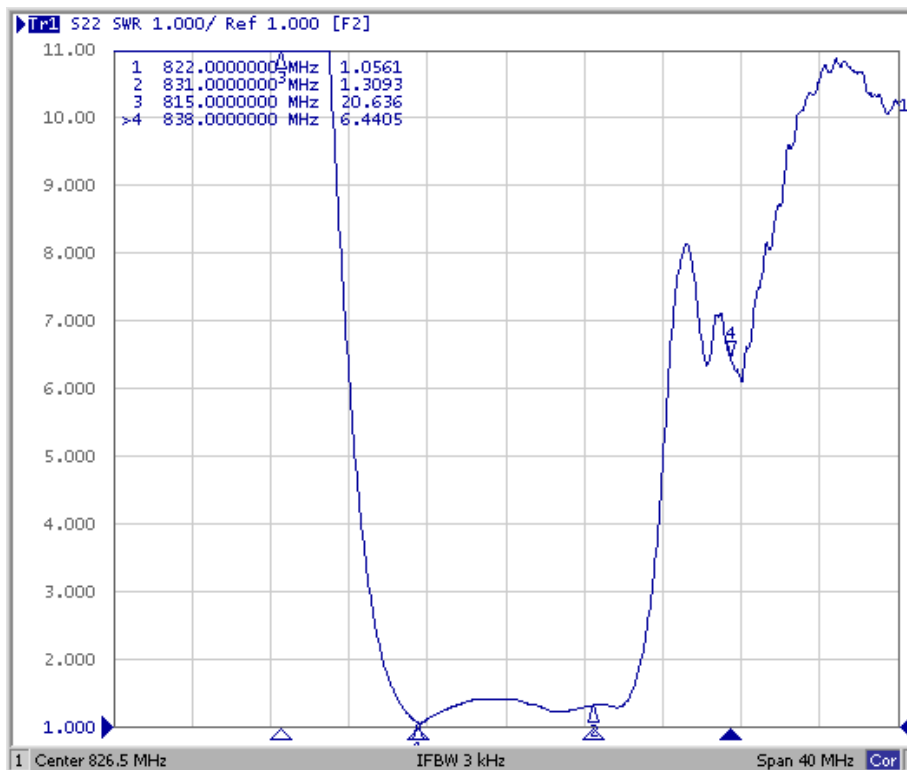
Model: TA1386A
Rev No: 1

Reflection Functions

S11



S22



SAW Filter 826.50MHz

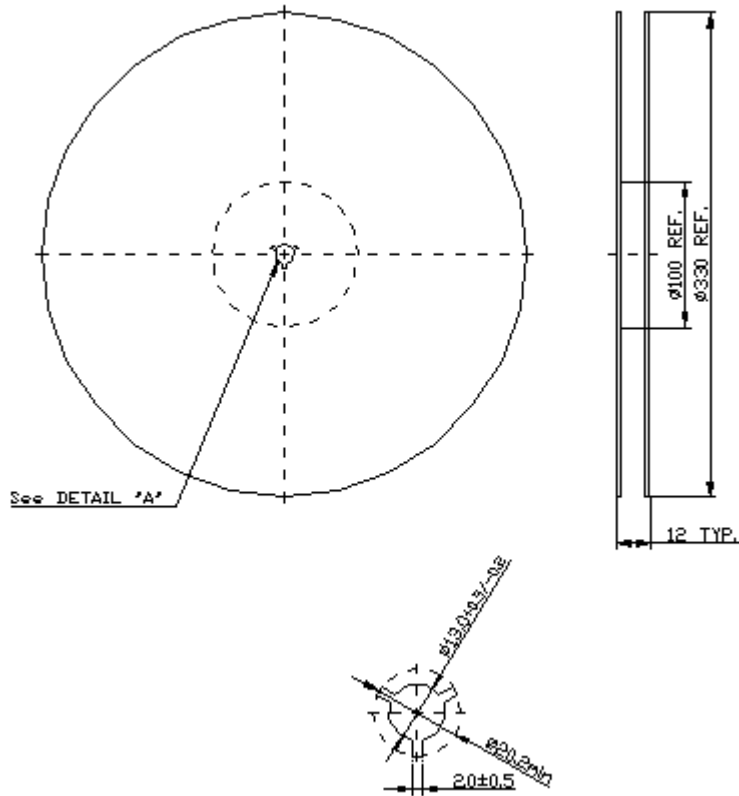
Model: TA1386A

Part No: MP06648

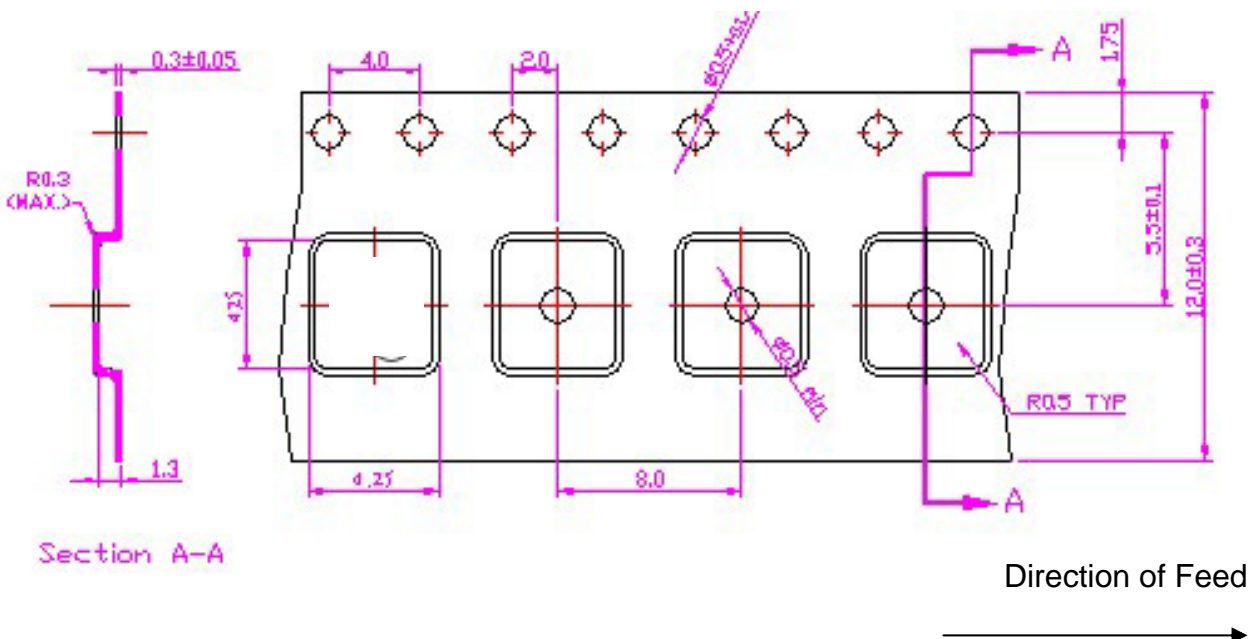
Rev No: 1

G. PACKING:

1. Reel Dimension (Reel Count: 7" = 1000; 13" = 3000)



2. Tape Dimension



SAW Filter 826.50MHz
Part No: MP06648

Model: TA1386A
Rev No: 1

H. RECOMMENDED REFLOW PROFILE:

1. Preheating shall be fixed at 150 ~ 180°C for 60 ~ 90 seconds.
2. Ascending time to preheating temperature 150°C shall be 30 seconds min.
3. Heating shall be fixed at 220°C for 50 ~ 80 seconds and at 245 ~ 260°C peak (min. 10 sec).
4. Time: 2 times.

